

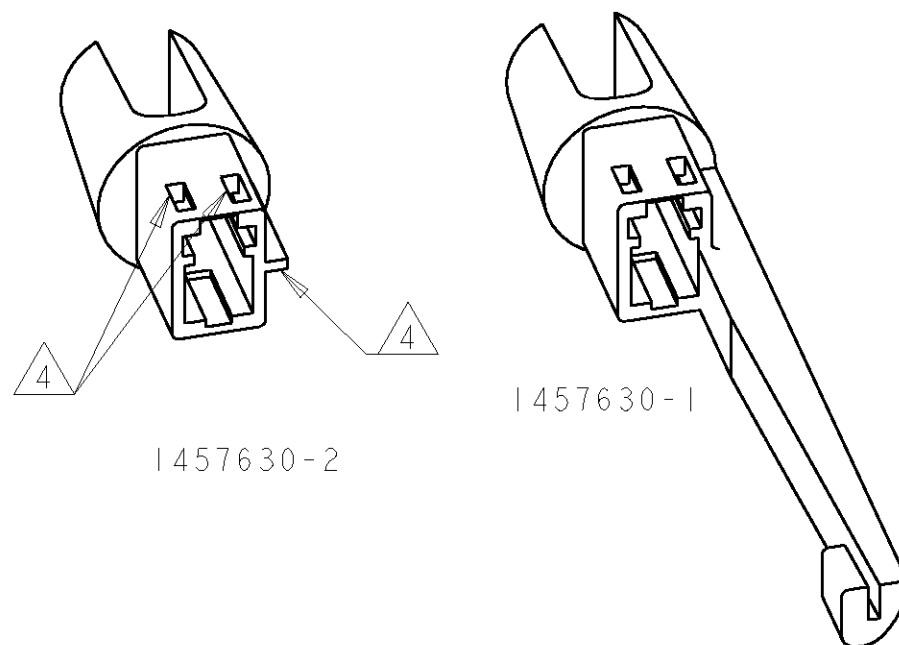
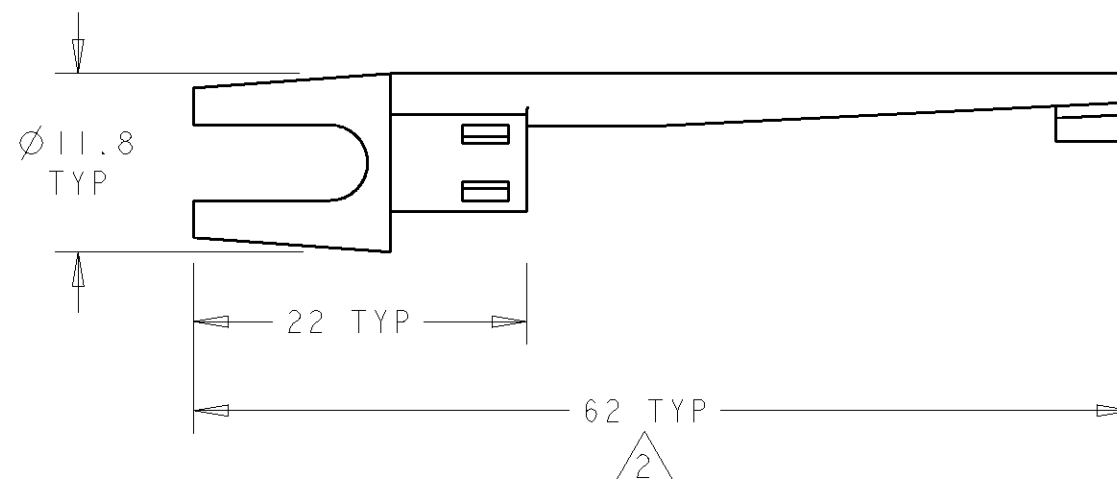
LOC
CE

DIST
00

REVISIONS

P	LTR	DESCRIPTION	DATE	DWN	APVD
	A	REV PER 0A00-391-01	25OCT2001	RCF	MG
	B	REVISE PER 0A00-0486-04	14SEP2004	BB	CB
	C	REVISE PER 0A00-0163-05	06JUN05	KG	DK

- 1 MATERIAL: THERMOPLASTIC
- 2 DIMENSION APPLIES TO 1457630-1 ONLY.
- 3 MINIMUM ORDER QUANTITY: 12 PIECE.
- 4 NONFUNCTIONAL FEATURES MAY OR MAY NOT BE PRESENT.



3	JACKET	1457630-2
3	BUFFER	1457630-1
	CABLE TYPE	PART NUMBER

THIS DRAWING IS A CONTROLLED DOCUMENT FOR TYCO ELECTRONICS CORPORATION. IT IS SUBJECT TO CHANGE AND THE CONTROLLING ENGINEERING ORGANIZATION SHOULD BE CONTACTED FOR THE LATEST REVISION.

DIMENSIONS:	TOLERANCES UNLESS OTHERWISE SPECIFIED:
mm	
	0 PLC ±-
	1 PLC ±-
	2 PLC ±-
	3 PLC ±-
	4 PLC ±-
	ANGLES ±-
MATERIAL	FINISH
1	-

DWN	R FLAIG	01JUN2001	Tyco Electronics Harrisburg, PA 17105-3608	
CHR	M GURRERI	01JUN2001		
APVD	S BUCHTER	01JUN2001		
PRODUCT SPEC	-			
APPLICATION SPEC	-		NAME	FIBER PROTECTOR, LC CONNECTOR
WEIGHT	-		SIZE	A3
CUSTOMER DRAWING	SCALE	2:1	CAGE CODE	00779
	DRAWING NO	1457630	RESTRICTED TO	-
	SHEET	1	OF	1
	REV	C		