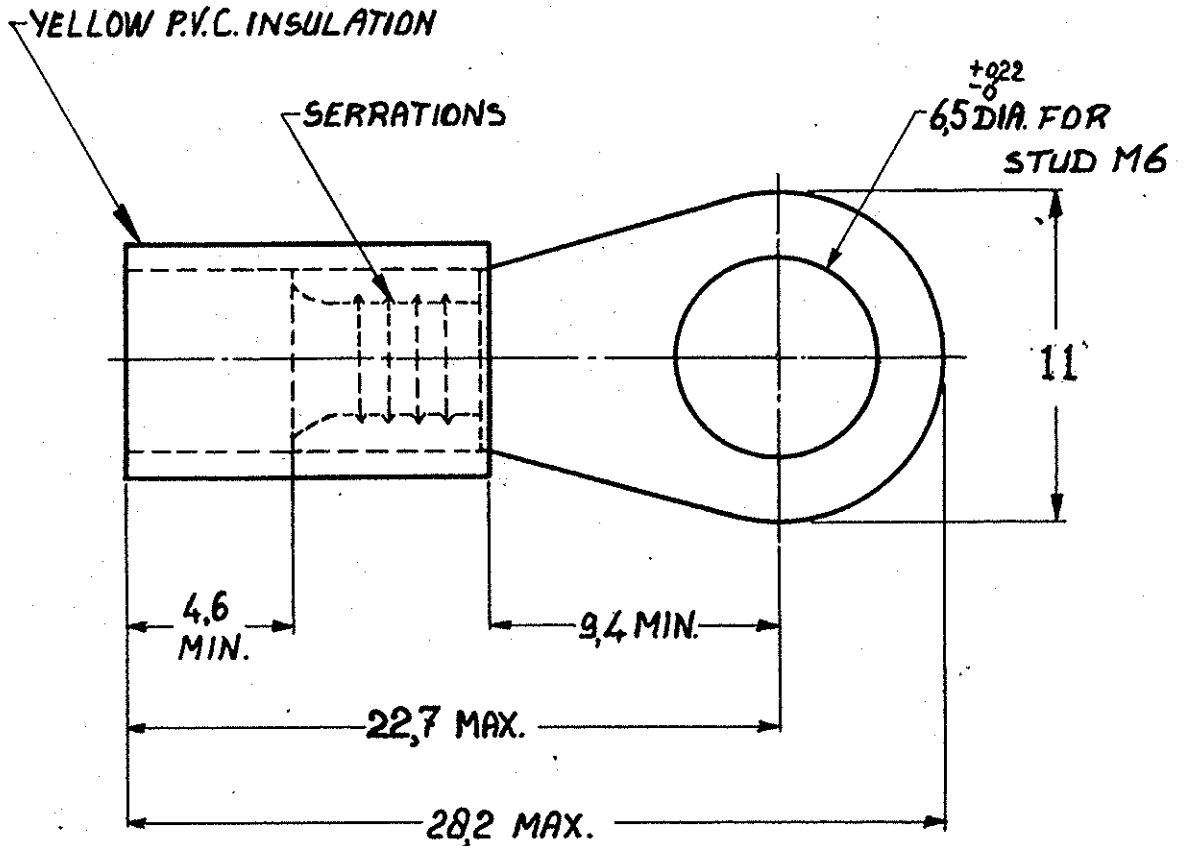


DRAWING MADE IN AMERICAN PROJECTION

NUMBER C-165414-E



TONGUE MATERIAL THICKNESS: 1.0

REV C 30-8-85

DIMENSIONS IN M.M. DO NOT SCALE PRINT

CUSTOMER COPY FOR REFERENCE ONLY

©1970 BY AMP-HOLLAND N.V. ALL RIGHTS RESERVED A-MP PRODUCTS COVERED BY PATENTS AND/OR PATENTS PENDING.



AMP-HOLLAND N.V.
HERTOGENBOSCH
HOLLAND

OBS
2-165414-1 165414 TAPE MOUNTED

165414 COPPER TIN

WIRE-RANGE 4-6 mm ²	INSUL.-RANGE 5.6 DIA. MAX	TYPE PLASTI-GRIP	DIN
-----------------------------------	------------------------------	---------------------	-----

ORDER NO.	MATERIAL	PLATING
-----------	----------	---------

SCALE 4:1	LOC H	SIZE A	NO C-165414-E	REV F
--------------	----------	-----------	------------------	----------

DR R. S. S. 3/11-70	DATE	DE	DATE
------------------------	------	----	------

CHK	DATE	APP	DATE
-----	------	-----	------

INSULATED RINGTONGUE for stud M6