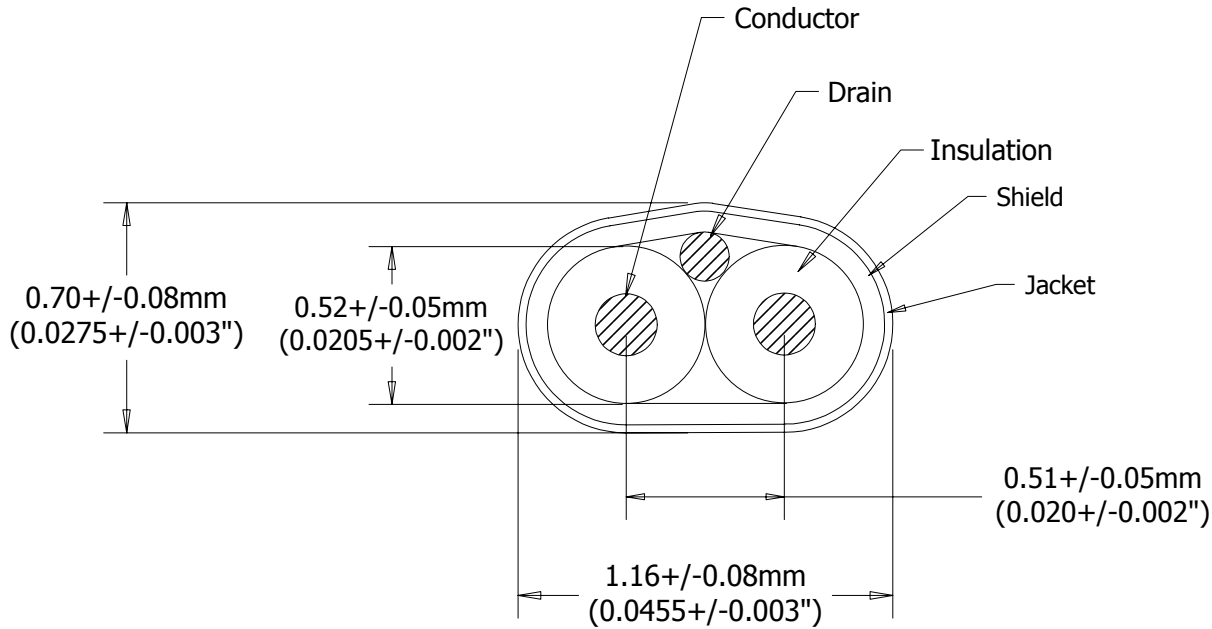


TITLE	PART No.	REV	PAGE
Shielded Pair 32 AWG, 85 Ohm Twinax	1000680080	D	1 of 1



NOTES

Construction:

- Conductor: 32 AWG, 0.20mm (0.008") Solid SPC
- Insulation: Fluoropolymer
- Drain Wire: 34 AWG, 0.16mm (0.0063") Solid SPC
- Shield: Aluminum / Polyester, 0.023mm (0.0009") Thickness Ref.
- Jacket: Polyester, Heat Sealed, 0.018mm (0.0007") Thickness Ref.



Electrical Characteristics:

- (Based on a 2m Length)
- Differential Impedance: 85+/-4 Ohms
- Propagation Delay: 4.8 ns/m Ref.
- Intra-Pair Skew: 20 ps/2m Max.

SCD21

f < 20 GHz: 20 dB Min.

SCD21-SDD21

- 0.01 ≤ f < 12.89: 12 dB Min.
- 12.89 ≤ f < 15.7: (29-(29/22)f) dB Min.
- 15.7 ≤ f < 19: 8.3 dB Min.

Mechanical Characteristics:

Min. Bend Radius: 5X OD - Minor Axis

Based on 2m Test Length			
Freq (GHz)	SDD21		SCD21
	Nom. dB	Max. dB	Nom. dB
2.50	6.91	7.60	22
5.00	10.18	11.20	26
7.50	12.84	14.13	30
10.00	15.20	16.72	32
12.89	17.68	19.45	35
15.00	19.37	21.31	35
17.50	21.28	23.41	35
20.00	23.11	25.42	37

Print Legend (Drain Wire Side): MOLEX TEMP-FLEX(R) <LOCATION CODE: US or PHL or GDL> TWINMAX(TM) 32 AWG 1000680080
 --- E61522 <UL CODE: -MPI for PHL, <blank> for US, -MDM for GDL> cRUus AWM 22046 I A/B 105C 30V FT1 VW-1> --- <TRACEABILITY>

This document is the property of TEMP-FLEX. It may not be disclosed, reproduced, or otherwise used without permission.	Rev	DCR	Description	App'd	Date
	C	5096	Update Print Legend to Add UL.	KP	9/6/16
	D	5383	Update Print Legend to Add GDL and <TRACEABILITY>	KP	2/2/18