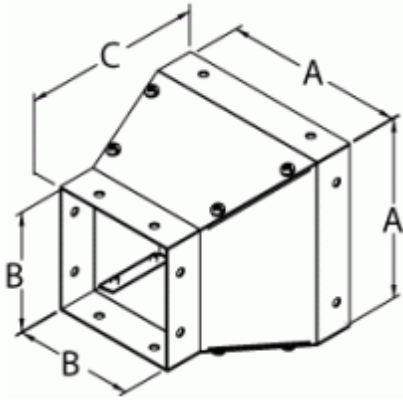




Quality Products. Service Excellence.

Reducer *CWRD Series*



Painted Steel

Part No.	Size
CWRD42	4x4 to 2.5x2.5
CWRD64	6x6 to 4x4
CWRD86	8x8 to 6x6
CWRD108	10x10 to 8x8
CWRD128	12x12 to 8x8
CWRD1210	12x12 to 10x10

Unpainted Galvanized

Part No.	Size
CWRD42G	4x4 to 2.5x2.5
CWRD64G	6x6 to 4x4
CWRD86G	8x8 to 6x6
CWRD108G	10x10 to 8x8
CWRD128G	12x12 to 8x8
CWRD1210G	12x12 to 10x10

Data subject to change without notice

© 2023. Hammond Manufacturing Ltd. All rights reserved.