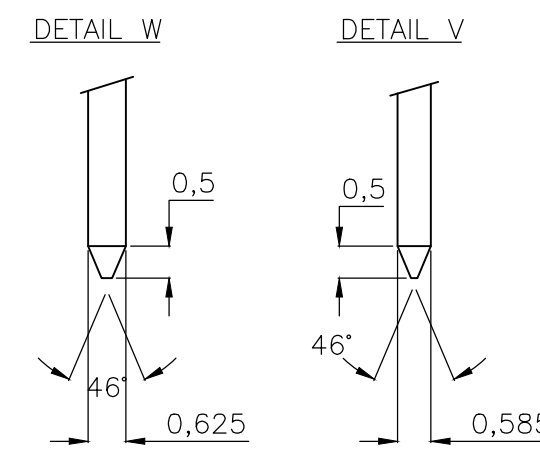
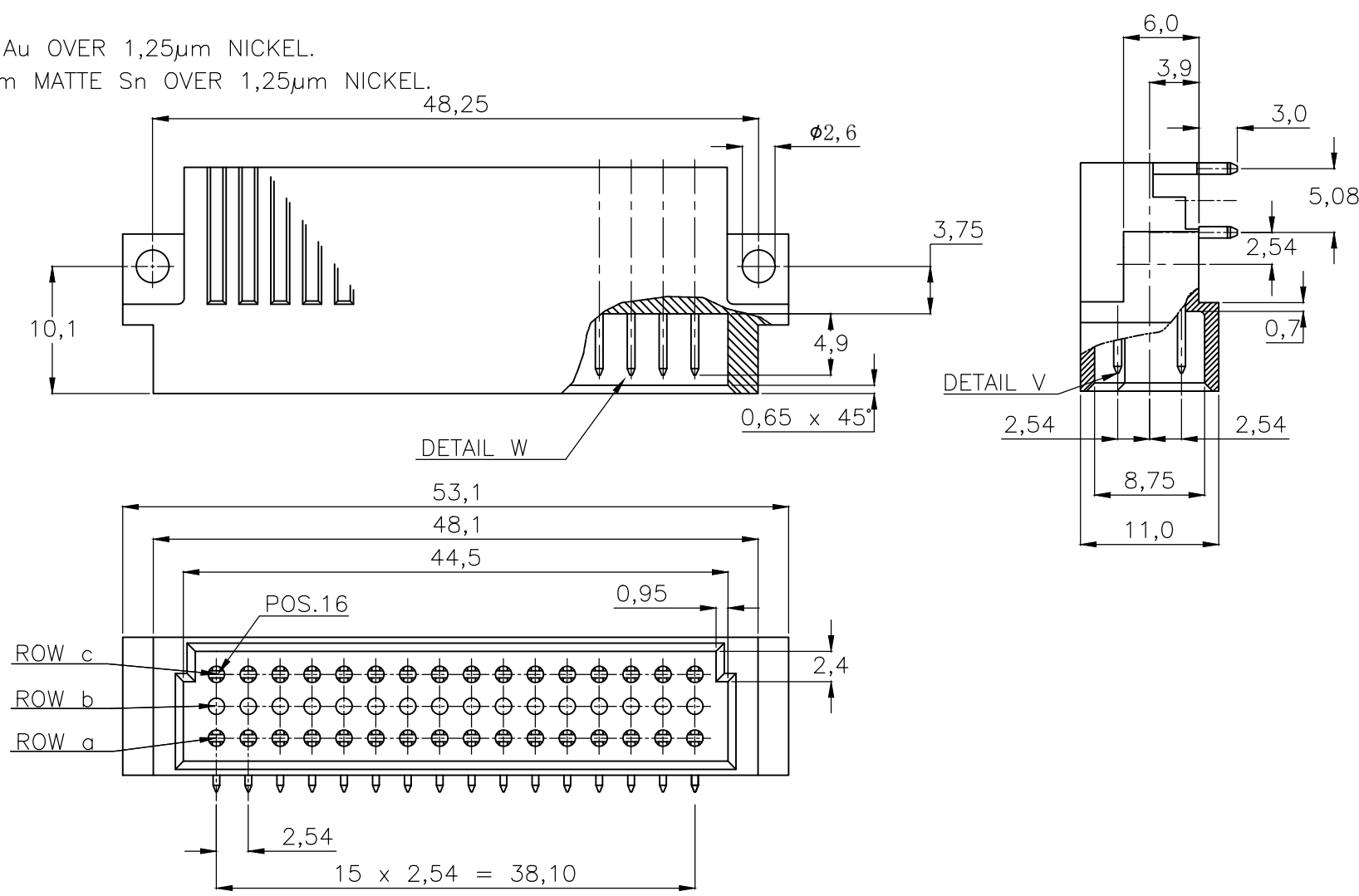


NOTES:

1 MATERIAL:
 -HOUSING: THERMOPL.POLYESTER
 COLOUR : GREY
 -CONTACTS: PHOSPHORBRONZE

2 PLATING CONTACT :
 0- -4: AT CONTACT AREA 0,8µm Au OVER 1,25µm NICKEL.
 AT ACTION PIN AREA 2,5µm MATTE Sn OVER 1,25µm NICKEL.

P	LTR	DESCRIPTION	DATE	DWN	APVD
	E	REVISED PER ECO-20-009690	02NOV2020	SY	HL



ROW c	X X X X X X X X X X X X X X X X
ROW b	O O O O O O O O O O O O O O O O
ROW a	X X X X X X X X X X X X X X X X
POS	16 15 14 13 12 11 10 9 8 7 6 5 4 3 2 1

AN ASTERISK „X” DENOTES A CONTACT.

P.C.B. HOLE DIM. ACTION PIN	
DRILLED HOLE	: 1,15 ± 0,025 mm
FIN. HOLE	: 0,94 to 1,09 mm
AFTER REFLOW	: 0,91 to 1,09 mm
Cu-thks	: 0,025 to 0,075 mm
SnPb-thks	: 0,004 to 0,010 mm

REFERENCE FAMILY DRAWING 650473 FOR ALL TYPE C HEADER OFFERINGS

OBSOLETE	SEE NOTE 2	SEE NOTE 1	6-106276-8
	SEE NOTE 2	SEE NOTE 1	106276-4
	FINISH	MATERIAL	PARTNUMBER

THIS DRAWING IS A CONTROLLED DOCUMENT.		DWN R.V.LOKVEN 24MAR93	TE Connectivity 32 POS. DIN 41612 TYPE C/2 MALE ACTION PIN CONNECTOR FOR 1,6 P.C.B. THICKNESS		
DIMENSIONS: mm		CHK J.V.GRUNSVEN 24MAR93			NAME
TOLERANCES UNLESS OTHERWISE SPECIFIED:		APVD L.V.SOEST			PRODUCT SPEC
0 PLC ± - 1 PLC ± - 2 PLC ± - 3 PLC ± - 4 PLC ± - ANGLES ± -		APPLICATION SPEC			SIZE CAGE CODE DRAWING NO RESTRICTED TO
MATERIAL -		FINISH -	WEIGHT 0.000000	A3 00779 C-106276	
			CUSTOMER DRAWING	SCALE NTS SHEET 1 OF 1 REV E	