

7NB-31R2-1



Applications

Unsuitable Applications	Please be sure to read and comply with these "Precautions for use."
Specific Applications	Consumer equipment, Industrial Equipment Please refer to Our Website and specifications, etc. for information about the performance, functions, quality, management, and safety required for the above applications, and use Products after confirming the performance and reliability of the actual Product.

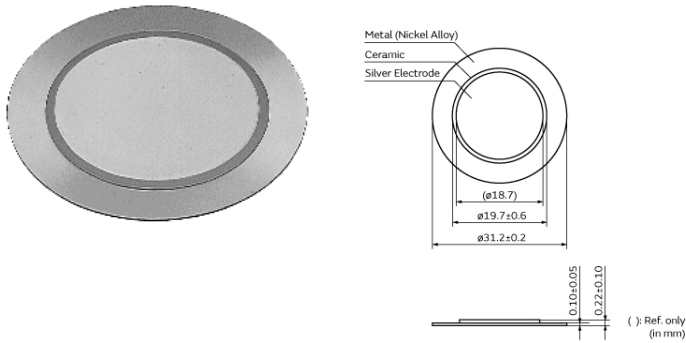
Packaging Information

Packaging	Specifications	Standard Packing Quantity
-	Bulk	1600

Features

1. Clear sound
2. Ultra thin and lightweight
3. No contacts: therefore, no noise and highly reliable
4. Low power consumption for voltage type

Appearance & Shape



Attention
 1. This datasheet is downloaded from the website of Murata Manufacturing Co., Ltd. Therefore, its specifications are subject to change or our products in it may be discontinued without advance notice. Please check with our sales representatives or product engineers before ordering.
 2. This datasheet has only typical specifications because there is no space for detailed specifications.
 Therefore, please review our product specifications or consult the approval sheet for product specifications before ordering.

7NB-31R2-1



Specifications

Resonance Frequency	1.3kHz
Resonant Frequency Tolerance	±0.5kHz
Resonant Impedance (R1)	300Ω
Capacitance	40nF
Capacitance Tolerance	±30%
Measurement Condition of Capacitance	[120Hz]
Operating Temperature Range	-20°C to 70°C
Storage Temperature Range	-30°C to 80°C
Shape	No lead wire
Plate Size	31.2mm
Element Size	19.7mm
Plate Material	Nickel Alloy
Drive Type	External Drive
EIAJ Part Number	PD-SU2-C31-13
Mass	882mg

Attention

- 1.This datasheet is downloaded from the website of Murata Manufacturing Co., Ltd. Therefore, it's specifications are subject to change or our products in it may be discontinued without advance notice. Please check with our sales representatives or product engineers before ordering.
- 2.This datasheet has only typical specifications because there is no space for detailed specifications.
Therefore, please review our product specifications or consult the approval sheet for product specifications before ordering.