



Electrical Specifications

Center Frequency: 4000 MHz
Bandwidth: 200 MHz
Passband Insertion Loss: 2.0 dB Max
Passband Ripple: 1.0 dB Max
Passband Return Loss: 15 dB Min
Rejection: >60 dB @ 3250 MHz
>70 dB @ 2450 MHz
>70 dB @ 5500 MHz
>50 dB @ 4700 MHz
Impedance: 50 Ω
Power Handling: 3 W

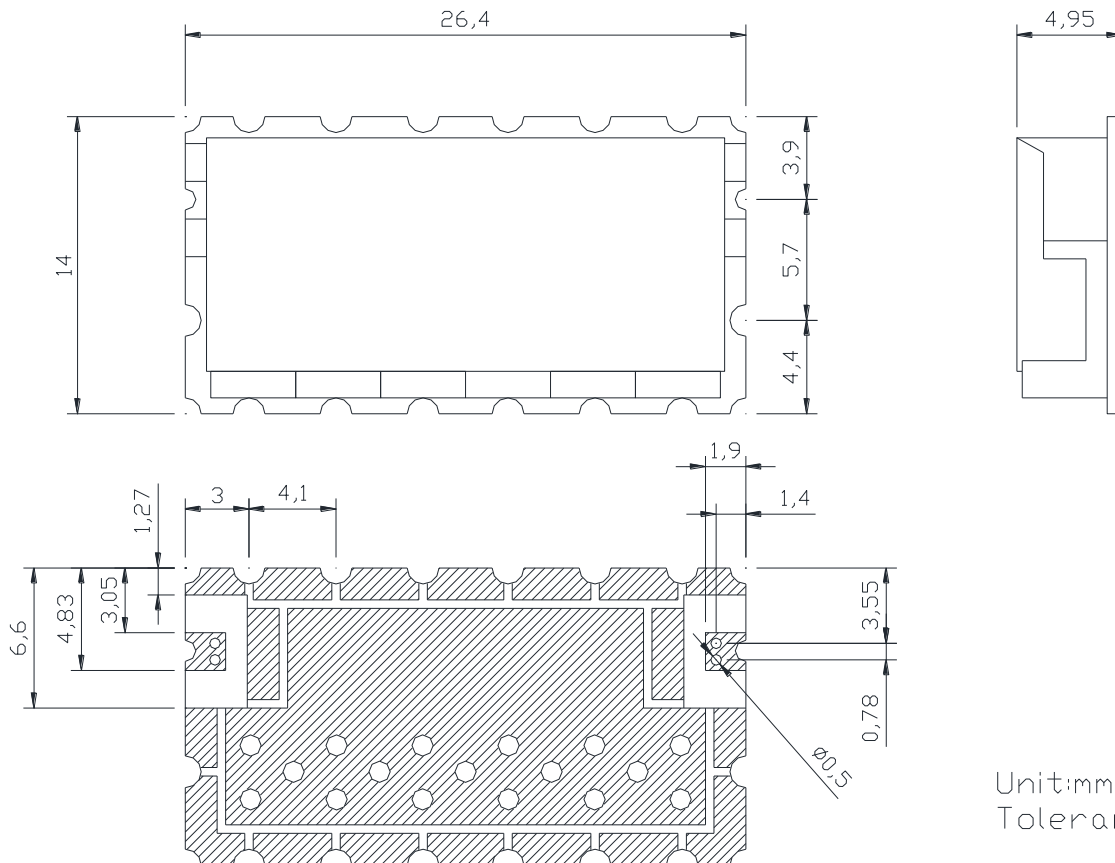
Mechanical

Mounting Method: SMT
Dimensions: 26.4 x 14.0 x 4.95 mm

Environmental

Operating Temperature: -40 to +85° C
Storage Temperature: -50 to +95° C
Shock: 20 G. 11 ms
Vibration: 20 G. 5 to 200 MHz

Outline Drawing:



Unit:mm
Tolerance:±0.3