

- 1
- 2
- 3
- 4
- 5
- 6
- 7
- 8
- 9
- 10
- 11
- 12
- 13
- 14
- 15
- 16
- 17
- 18

MATERIAL

Glass-fibre reinforced polyamide based (PA) technopolymer with security anti-intrusion-profiled slot, grey-black colour, matte finish.

PUSH BUTTON

Acetal resin based (POM) technopolymer push button with cylindrical part in red colour.

KEY RETENTION DEVICE

Ball and AISI 316 stainless steel spring.

CAPS

Technopolymer in Ergostyle colours, matte finish; supplied with the handle, press-fit assembly, removable by a screwdriver.

Available also as accessories sold separately (see table ECA.).

Code	Description	Caps for
29831-*	ECA.B1-*	EBR.150

* Complete with colour index (C1, ..., C6).

STANDARD EXECUTION

Pass-through assembly holes for cylindrical head screws with hexagon socket.

ANTI-INTRUSION PROFILED SECURITY KEY (TO BE ORDERED SEPARATELY)

CSN (code 6951): acetal resin based (POM) technopolymer fold-away key, red colour, stainless steel insert.

FUNCTIONING OF THE SAFETY DEVICE

Doors with EBR-CH handle can be opened only by authorised people, by inserting the anti-intrusion profiled key into its proper slot.

Locking: press the locking button until the red side end of it disappears completely into the body and the device snaps. The key must not be inserted during locking operations.

When the handle is closed, the key must not remain in its slot.

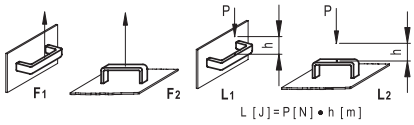
Opening: insert the key (without turning it) and push to make the internal device snap.

A ball and spring retention system ensures that the key cannot be lost if it remains inserted in its slot when the door is opened.

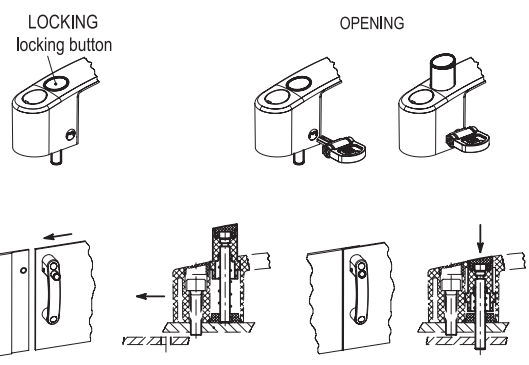
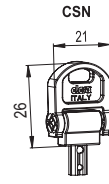
EBR-CH handle can be assembled with EBR neutral handle.

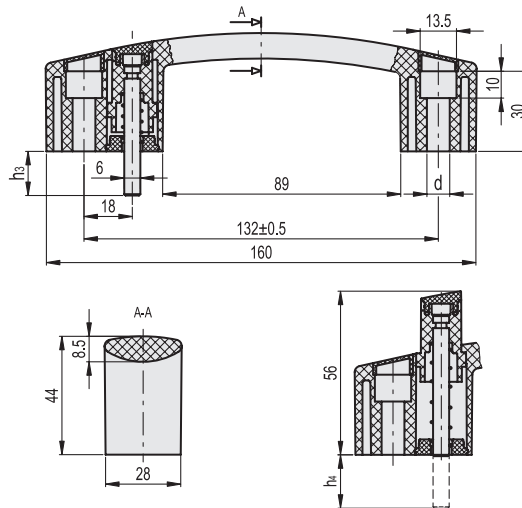
TECHNICAL DATA

Tensile stress and impact strength: the values F1, F2, L1 and L2 indicated in the table were obtained during breaking tests carried out with the appropriate dynamometric equipment under the test conditions shown in the figure with ambient temperature.



ERGOSTYLE® ELESA Original design





* Complete with colour index, example: 260521-C2 EBR.150-CH-6-16-C2
C1 **C2** **C3** **C4** **C5** **C6**
 RAL7021 RAL2004 RAL7035 RAL1021 RAL5024 RAL3000

METRIC

Code	Description	h3	h4	d	F1 [N]	F2 [N]	L1 [J]	L2 [J]	⚖️
260521-*	EBR.150-CH-6-16-*	16	-	6.5	2800	2900	35	8	86
260523-*	EBR.150-CH-6-52-*	52	36	6.5	2800	2900	35	8	116
260525-*	EBR.150-CH-6-60-*	60	44	6.5	2800	2900	35	8	120
260527-*	EBR.150-CH-6-65-*	65	49	6.5	2800	2900	35	8	124
260529-*	EBR.150-CH-6-81-*	81	65	6.5	2800	2900	35	8	132
260531-*	EBR.150-CH-8-16-*	16	-	8.5	2800	2900	35	8	90
260533-*	EBR.150-CH-8-52-*	52	36	8.5	2800	2900	35	8	120
260535-*	EBR.150-CH-8-60-*	60	44	8.5	2800	2900	35	8	126
260537-*	EBR.150-CH-8-65-*	65	49	8.5	2800	2900	35	8	132
260539-*	EBR.150-CH-8-81-*	81	65	8.5	2800	2900	35	8	140

