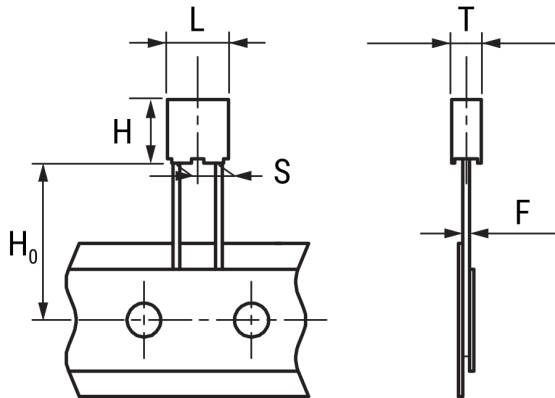


## MMK5473J50J01L16.5TA18

Aliases (F601JF473J050R, MMK5473J50J01L16,5TA18)

Not for New Design • Recommended Replacement Series R60

MMK/F601, Film, Metallized Polyester, General Purpose, 0.047 uF, 5%, 50 VDC, 85°C, Lead Spacing = 5mm



Click [here](#) for the 3D model.

### Dimensions

|    |                 |
|----|-----------------|
| L  | 7.2mm MAX       |
| H  | 6.5mm MAX       |
| T  | 2.5mm MAX       |
| S  | 5mm +0.6/-0.1mm |
| H0 | 16mm NOM        |
| F  | 0.5mm NOM       |

### Packaging Specifications

|                    |                         |
|--------------------|-------------------------|
| Packaging          | Ammo, 330x330x50mm, Box |
| Packaging Quantity | 5000                    |

### General Information

|                  |  |
|------------------|--|
| Series           | MMK/F601   |
| Dielectric       | Metallized Polyester                                 |
| Style            | Radial   |
| Features         | DC Multipurpose Applications                         |
| RoHS             | Yes  |
| Lead             | Wire Leads   |
| AEC-Q200         | No   |
| Component Weight | 0.239 g  |
| Notes            | Not for new design - the replacement series is: R60. |

### Specifications

|                       |                                    |
|-----------------------|------------------------------------|
| Capacitance           | 0.047 uF                           |
| Capacitance Tolerance | 5%                                 |
| Voltage AC            | 30 VAC                             |
| Voltage DC            | 50 VDC, 38.8 VDC (100C)            |
| Temperature Range     | -55/+100°C                         |
| Rated Temperature     | 85°C                               |
| Dissipation Factor    | 0.8% 1kHz, 1.2% 10kHz, 2.5% 100kHz |
| Insulation Resistance | 15 GOhms                           |
| Max dV/dt             | 12 V/us                            |
| Inductance            | 6 nH                               |