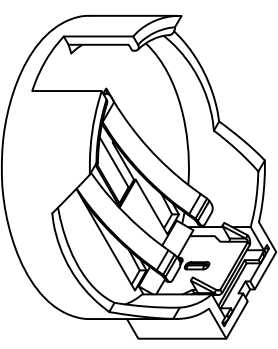
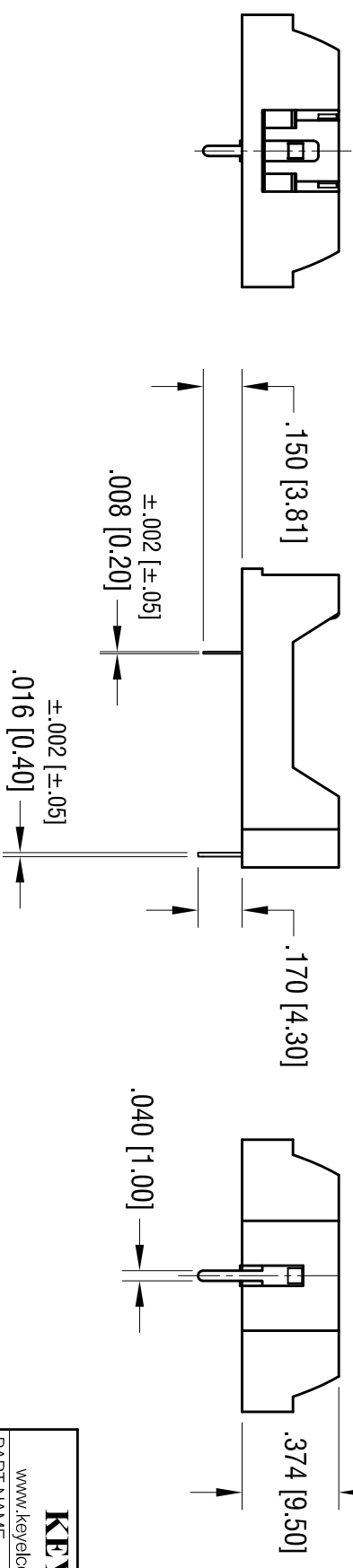
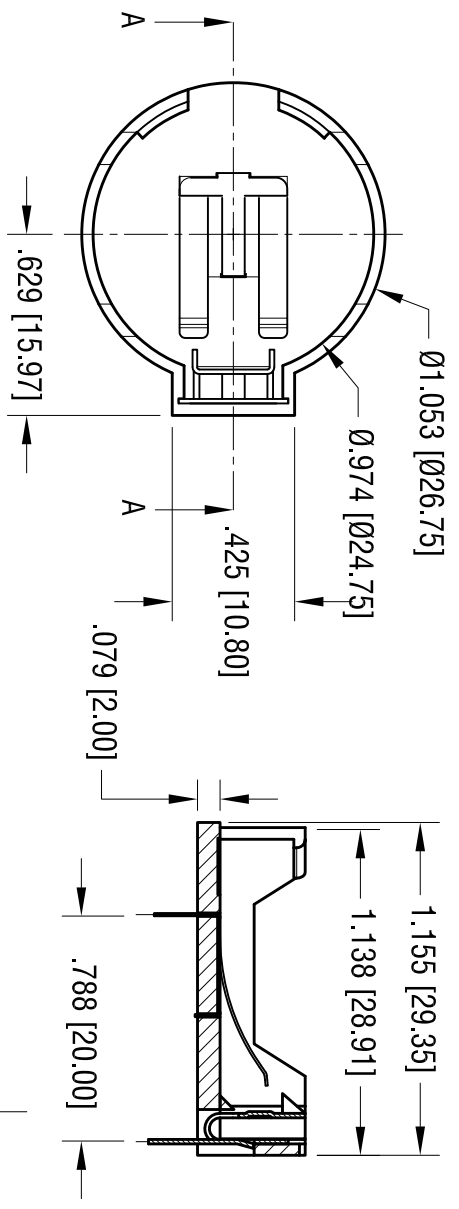
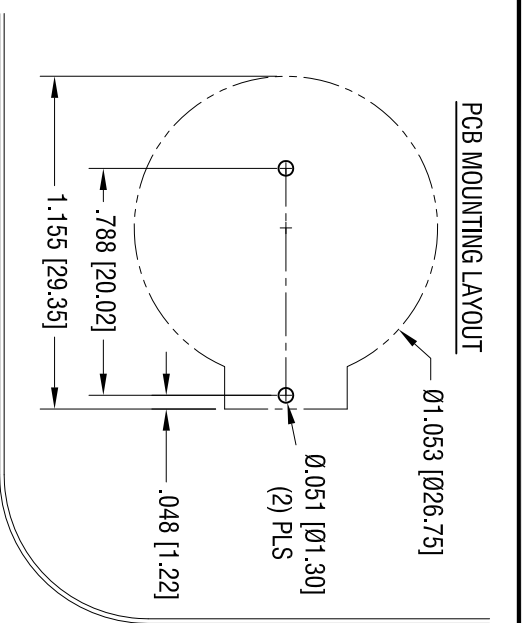


DATE	DESCRIPTION	REV.
1.24.11	CHANGE AS PER ECN 11-007	A
11.22.11	CHANGE AS PER ECN 11-157	B
9.11.15	CHANGE AS PER ECN 15-089	C



- NOTE:
1. HOUSING: MAT'L- PBT-UL 94V-0
 2. POSITIVE AND NEGATIVE CONTACTS: MAT'L- PHOSPHOR BRONZE FINISH- NICKEL PLATE

KEYSTONE ELECTRONICS CORP.
 www.keystone.com • ASTORIA, N.Y. 11105-2017 • Tel (718) 956-8900

PART NAME
BATTERY HOLDER FOR CR2450

MATERIAL
 AS NOTED

FINISH	AS NOTED	DRN BY	NT	DATE	11.29.10
TOLERANCES	INCH [MM]	CODE	DWG NO.	SCALE	1.5X
DECIMAL	± .010 [± 0.25]	C	1053		
ANGULAR	± 1°				

THIS DOCUMENT IS THE PROPERTY OF KEYSTONE ELECTRONICS CORP. AND SHALL NOT BE REPRODUCED, DISTRIBUTED OR USED AS A BASIS FOR MANUFACTURE WITHOUT PRIOR WRITTEN PERMISSION FROM KEYSTONE ELECTRONICS CORP.