



# Le87285

---

## G.Fast Single Channel Line Driver

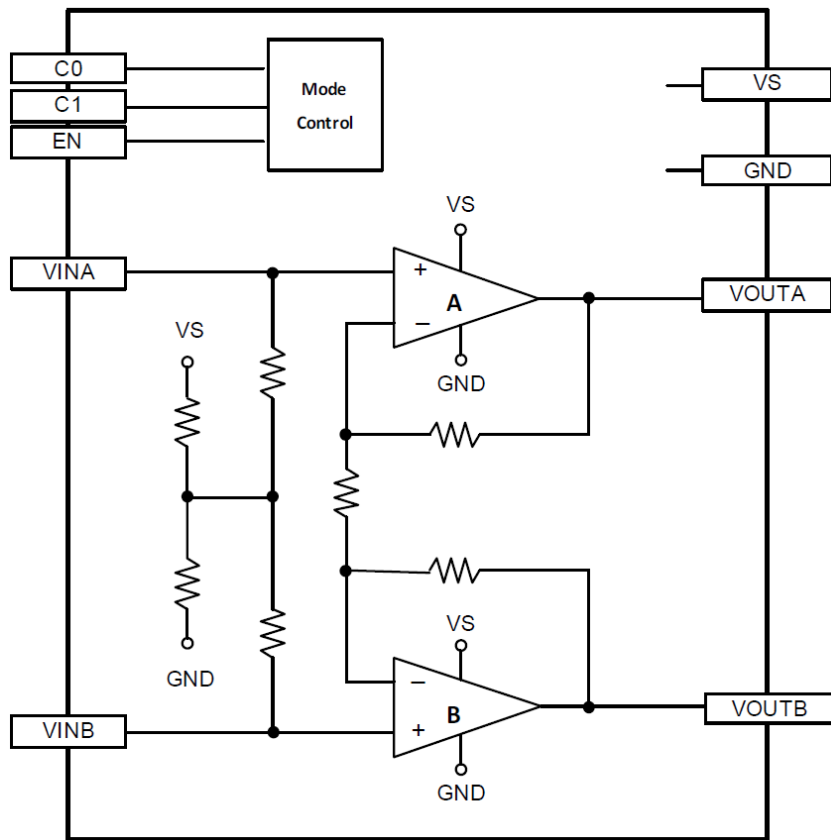
The Le87285 is a single channel line driver designed for home gateway applications. It supports transmission xDSL and G.Fast signals with very low power dissipation. The Le87285 contains a pair of wideband amplifiers designed with Microsemi's HV15 Bipolar SOI process for low power consumption. The line driver gain is fixed internally. The amplifiers are powered from a single supply. The device can be programmed to one-of-three preset Bias levels or to impedance controlled Disable or Standby states. The control pins respond to input levels that can be generated with a standard tri-state GPIO.

### *Features & Benefits*

- Supports high frequency G.Fast transmission
- Supports VDSL2 and ADSL2+ operation
- Very low power dissipation
  - Class AB operation
- 5 programmable states
- No external gain resistors required
- Small footprint package
  - 16-pin (4 mm x 4 mm) QFN
- RoHS compliant

### *Typical Applications*

- G.Fast Line Driver
- VDSL2 Line Driver
- ADSL2+ CPE Line Driver



*Product Packaging & Availability*

Part Number	Package Type	Pin Count	Lead-Free Option	Shipping Option(s)	Status
Le87285NQC	QFN	16	GREEN	Tray	Production
Le87285NQCT	QFN	16	GREEN	TR	Production

<https://www.microsemi.com/product-directory/g-fast/4139-le87285#overview/5-10-19>