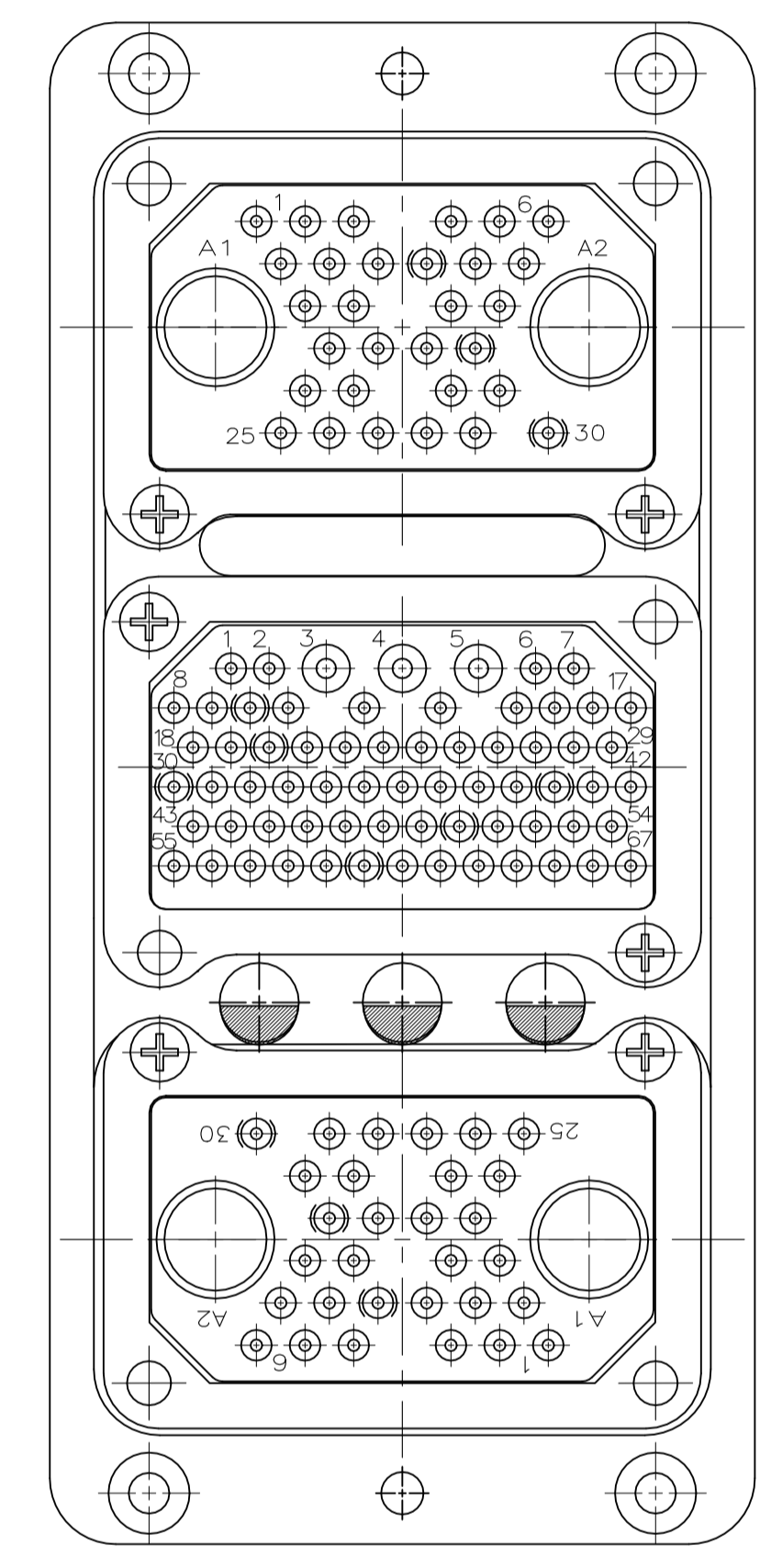
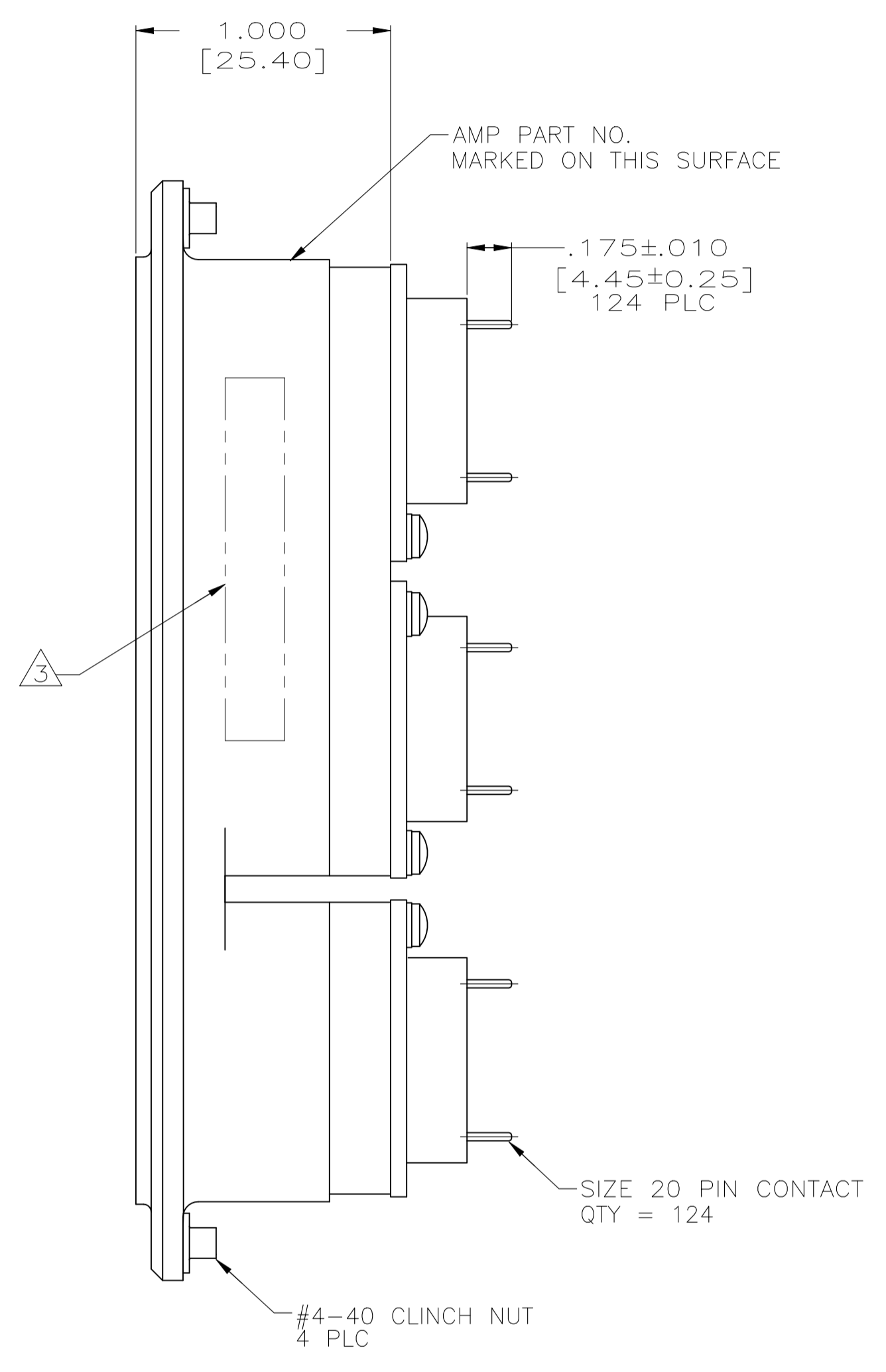
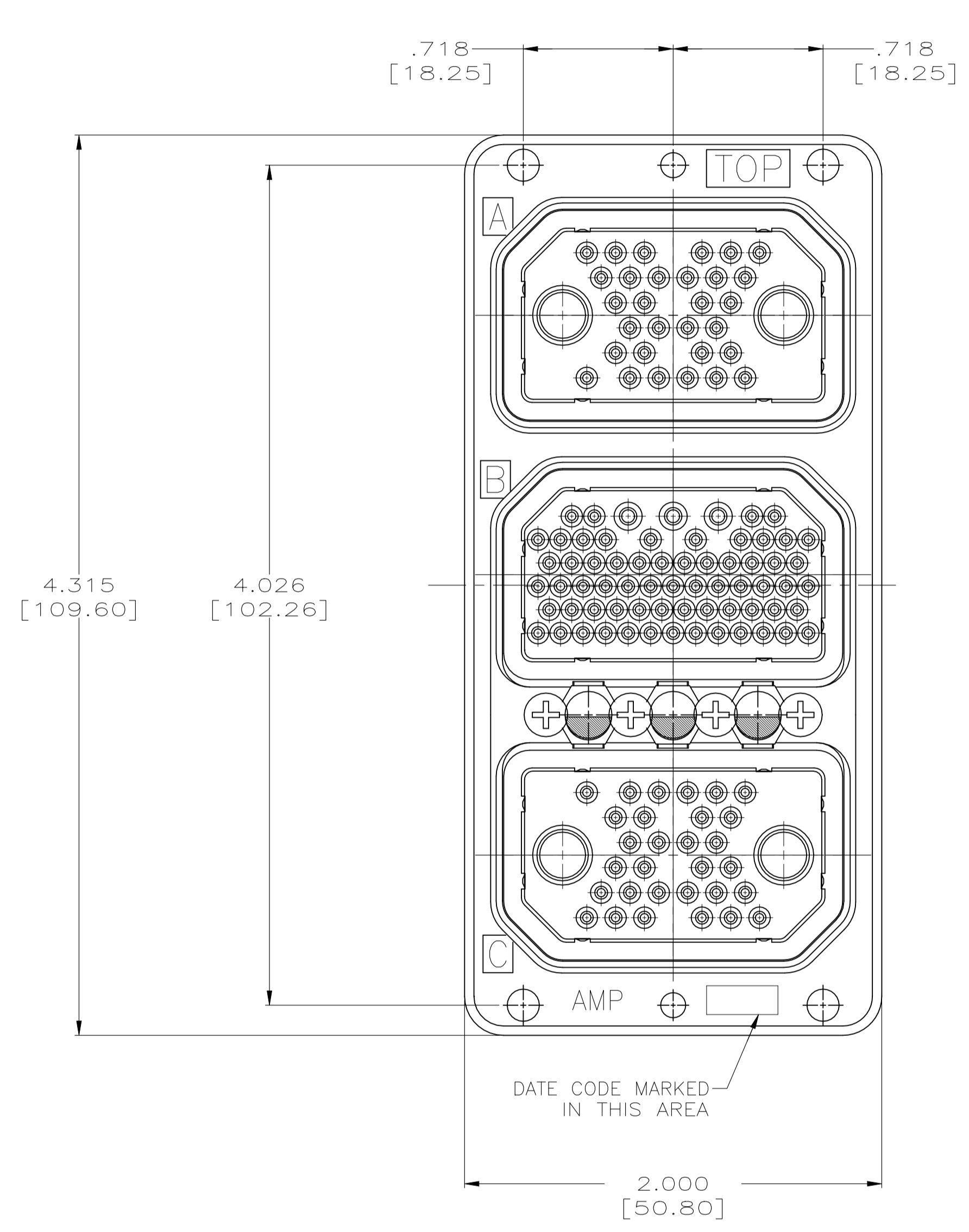


REVISIONS				
P	LTR	DESCRIPTION	DATE	APPV
A		REV PER ECO 20-007007	2-12-20	CT RL



- △ MATERIAL AND FINISH:
 SHELL: DIE CAST ALUMINUM PER FED. SPEC QQ-A-591 OR ASTM B211 6061-T6/6511 OR ASTM B209 2024-T4/T351
 STANDARD FINISH: CADMIUM PLATE PER QQ-P-416, TYPE I, CLASS 2 YELLOW CHROMATE CONVERSION.
 INSERT RETENTION PLATE: ALUMINUM ALLOY, BLUE ANODIZE PER MIL-A-8625.
 SCREWS AND WASHERS: STAINLESS STEEL, PASSIVATED.
 POLARIZING POSTS: STAINLESS STEEL, PASSIVATED.
 POLARIZING NUTS: BRASS, CADMIUM PLATED.
2. KEYING IS SET IN POSITION "01".
- △ 921121-1, REV B AND DATE CODE XXYY, (WHERE XX = WEEK, YY = YEAR) MARKED IN APPROX AREA SHOWN WITH .047 [1.19] MIN HIGH CHARACTERS.

615040	1484650-1
AIRSHOW	PART NO.
PART NO. REF	PART NO.

THIS DRAWING IS A CONTROLLED DOCUMENT.		DIN 7-30-03		C.C.THOMAS	
DIMENSIONS: INCHES		TOLERANCES UNLESS OTHERWISE SPECIFIED:		CHK 4-26-06	
0 PLC ± -		1 PLC ± -		D.FABY	
1 PLC ± -		2 PLC ± -		APPROD 4-28-06	
2 PLC ± -		3 PLC ± .010 [0.25]		NAME	
3 PLC ± -		4 PLC ± -		PRODUCT SPEC	
4 PLC ± -		ANGLES ± -		APPLICATION SPEC	
MATERIAL		FINISH		SIZE	
-		-		CAGE CODE	
-		-		DRAWING NO	
-		-		RESTRICTED TO	
-		-		WEIGHT	
-		-		0.000000	
-		-		A1 00779	
-		-		C=1484650	
-		-		CUSTOMER DRAWING	
-		-		SCALE 2:1	
-		-		SHEET 1 of 1	
-		-		REV A	