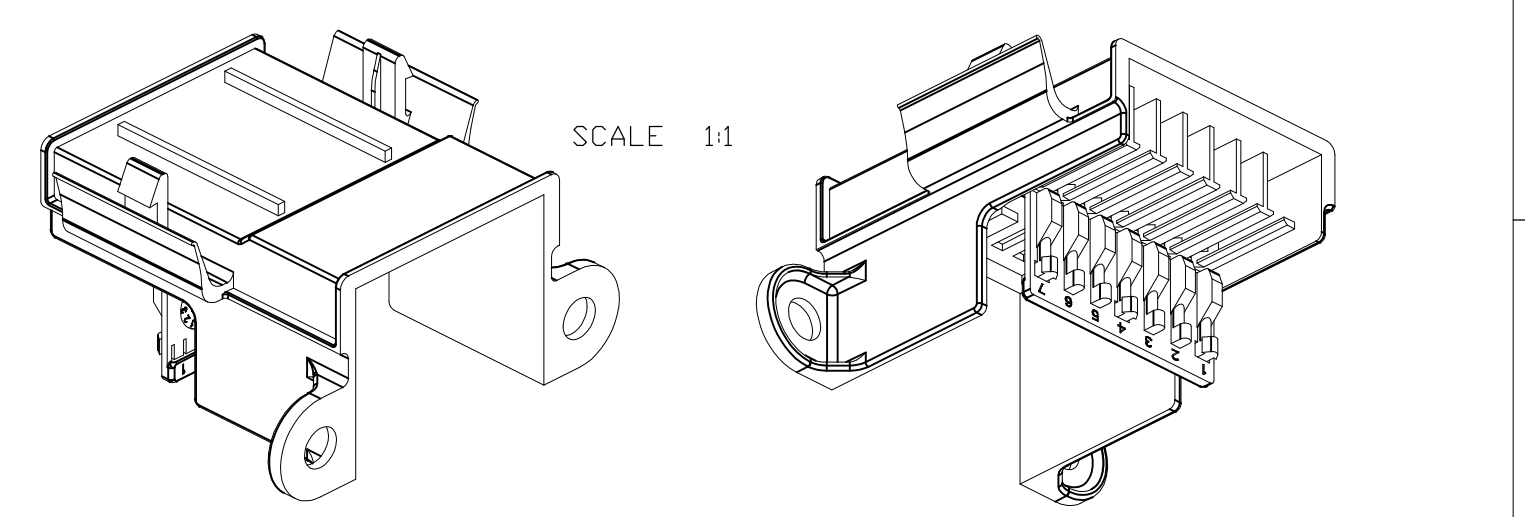
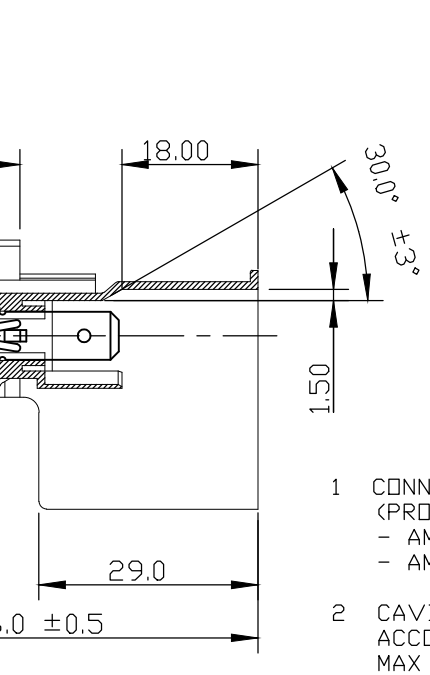
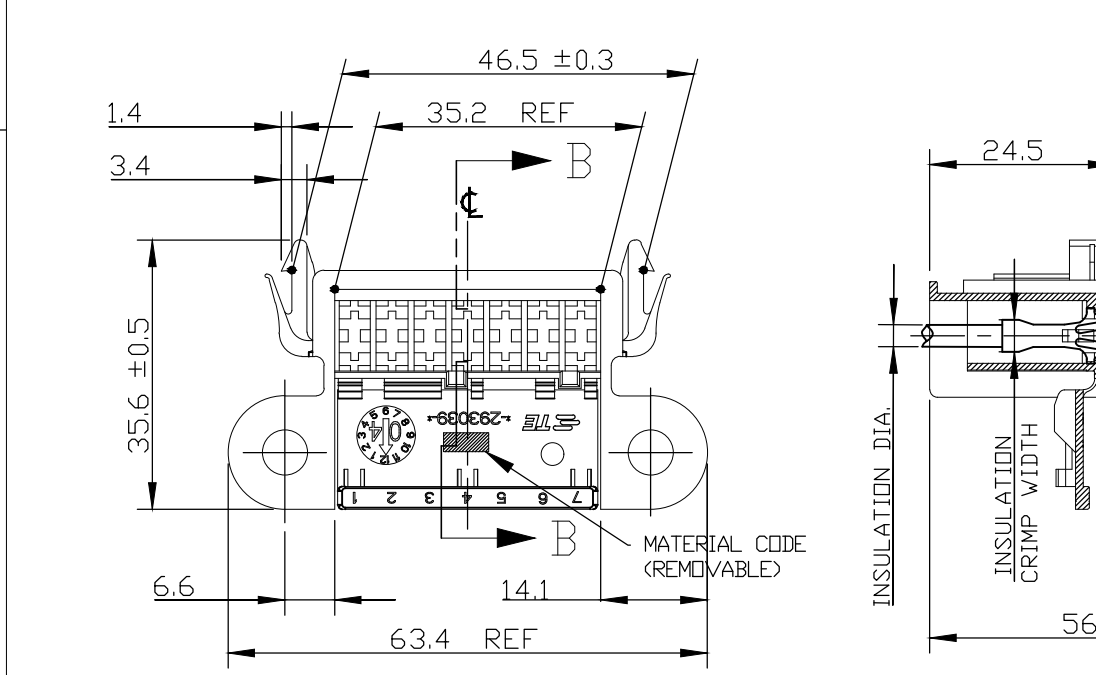
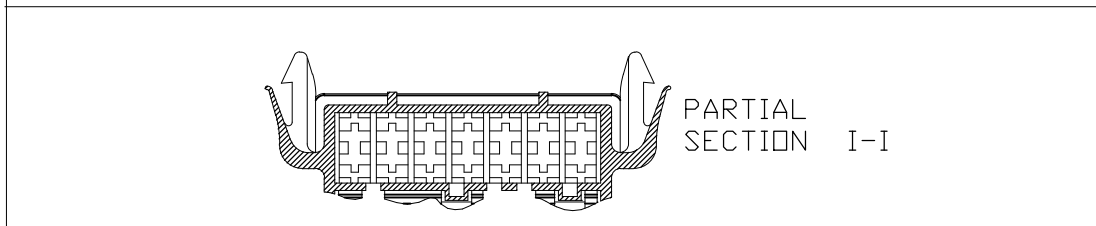
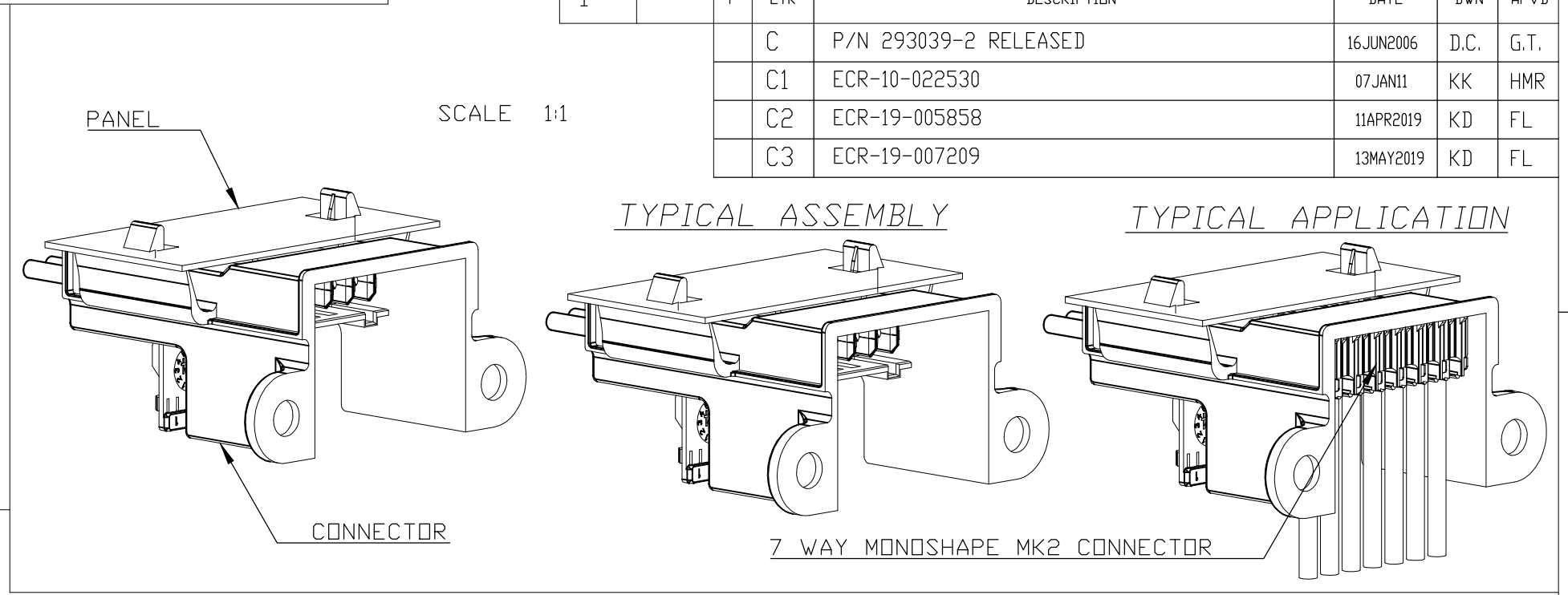
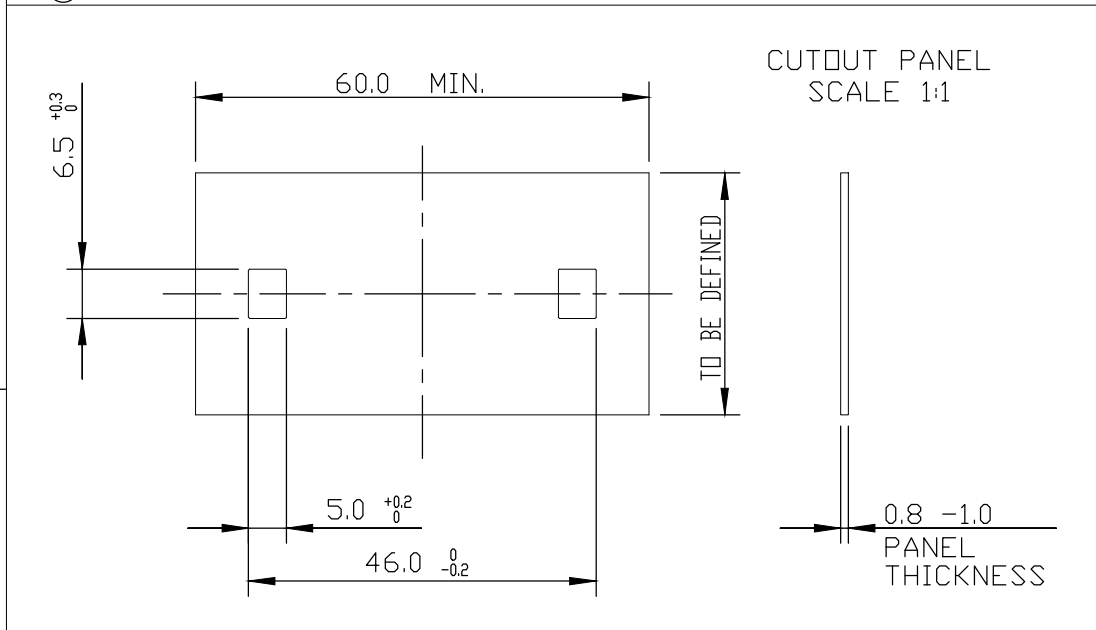


THIS DRAWING IS UNPUBLISHED. RELEASED FOR PUBLICATION 2004
 © COPYRIGHT 2004 BY TYCO ELECTRONICS CORPORATION. ALL RIGHTS RESERVED.

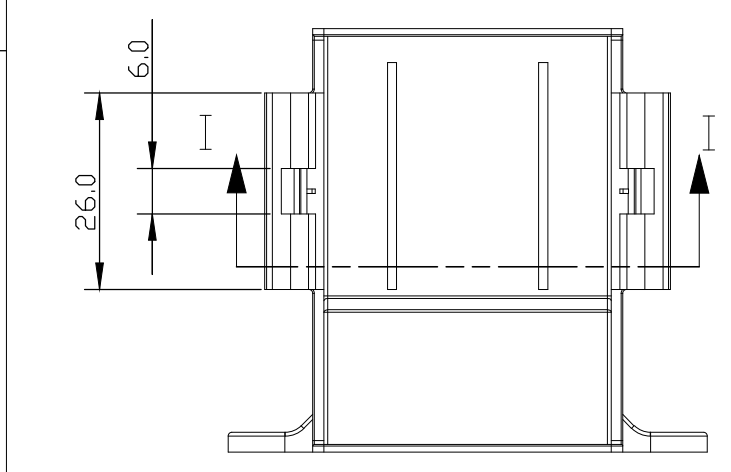
LOC	DIST	REVISIONS					
		P	LTR	DESCRIPTION	DATE	DWN	APVD
I	-	C		P/N 293039-2 RELEASED	16JUN2006	D.C.	G.T.
		C1		ECR-10-022530	07JAN11	KK	HMR
		C2		ECR-19-005858	11APR2019	KD	FL
		C3		ECR-19-007209	13MAY2019	KD	FL



- CONNECTOR HOUSING SUITABLE FOR MATING WITH: (PROPERLY CODED WITH RELEVANT APPLICATION MACHINE)
 - AMP MOND SHAPE Mark II TAB CONNECTOR, P/N x-284477-2
 - AMP MOND SHAPE Mark I TAB CONNECTOR, P/N 1-293004-7
- CAVITIES SUITABLE FOR .250" SERIES FAST-IN-ON TAB CONTACT ACCORDING TO NORM "DIN 46 343"
 MAX INS. DIA.: 2.8 mm; MAX INS. CRIMP WIDTH: 3.3 mm (E.G. TE P/N 293041-2)

3 OBSOLETE 4 PRELIMINARY PART

MATERIAL	P/N	REV.
PA66 UNFILLED, NATURAL UL94-V2, GW 750°C NO FLAME	293039-4	1
PA UNFILLED ACCORDING TO UL94-V2, GW 750°C NO FLAME, COLOUR NATURAL	293039-2	C
PA66/6 UNFILLED ACCORDING TO UL94-V0 COLOUR NATURAL	293039-1	B



THE PRESENTED PRODUCT / DESIGN WILL BE RELEASED FOR THE MANUFACTURING OF THE NECESSARY PRODUCTION TOOLS HEREBY. FURTHER CHANGES HAS TO BE PAID BY CUSTOMER.
 DATE, SIGN OF THE CUSTOMER

THIS DRAWING IS A CONTROLLED DOCUMENT FOR TYCO ELECTRONICS CORPORATION IT IS SUBJECT TO CHANGE AND THE CONTROLLING ENGINEERING ORGANIZATION SHOULD BE CONTACTED FOR THE LATEST REVISION.

DIMENSIONS:	TOLERANCES UNLESS OTHERWISE SPECIFIED:
mm	
0 PLC	±0.5
1 PLC	±0.3
2 PLC	±0.1
3 PLC	±
4 PLC	±
ANGLES	±1°
MATERIAL	FINISH
SEE TABLE	-

DWN 10DEC2004 D. CHIARELLI
 CHK 10DEC2004 G. TURCO
 APVD 10DEC2004 G. TURCO
 PRODUCT SPEC -
 APPLICATION SPEC -
 WEIGHT 13,2 g (ESTIMATED)
 CUSTOMER DRAWING

STE TE Connectivity

NAME 7 POS. F.F. TAB HOUSING MOTOR MOUNT, WITH WATER PROTECTION

SIZE	CAGE CODE	DRAWING NO	RESTRICTED TO
A3	00779	C-293039	-

SCALE 1:1 SHEET 1 OF 1 REV C3