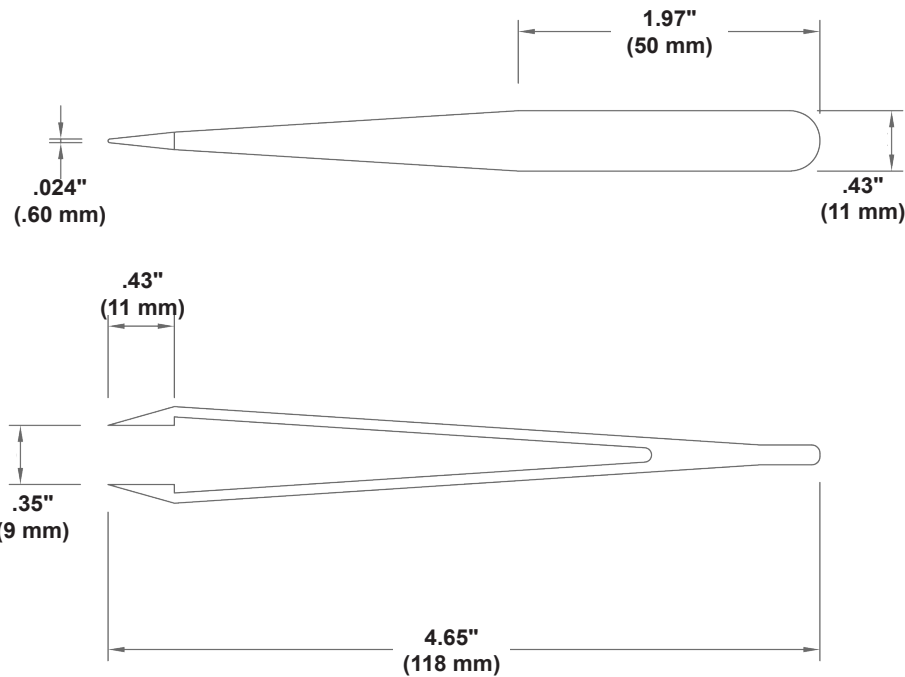




Features:

- **International Style:** 3C
- **Material:** Plastic Grey Static Dissipative
- **Resistance:**
 - 1×10^6 to $<1 \times 10^{11}$ tested per modified ANSI/ESD S4.1
- **Magnetic Properties:** Anti-Magnetic
- **Corrosion Resistance:** Anti-Acid
- **Finish:** Plastic
- **Tips:** Straight, Very Fine
- Made in Italy



Unless otherwise noted, tolerance is $\pm 10\%$.

LIGHTWEIGHT PLASTIC DISSIPATIVE TWEEZER, STRAIGHT TIP, VERY FINE, STYLE 3C

Specifications and procedures subject to change without notice.

TRONEX

2860 CORDELIA RD STE 230, FAIRFIELD CA, 94534
 PHONE: (909) 627-2453
 WEBSITE: TronexTools.com

DRAWING NUMBER
 P3C-STD

DATE
 MAY
 2020