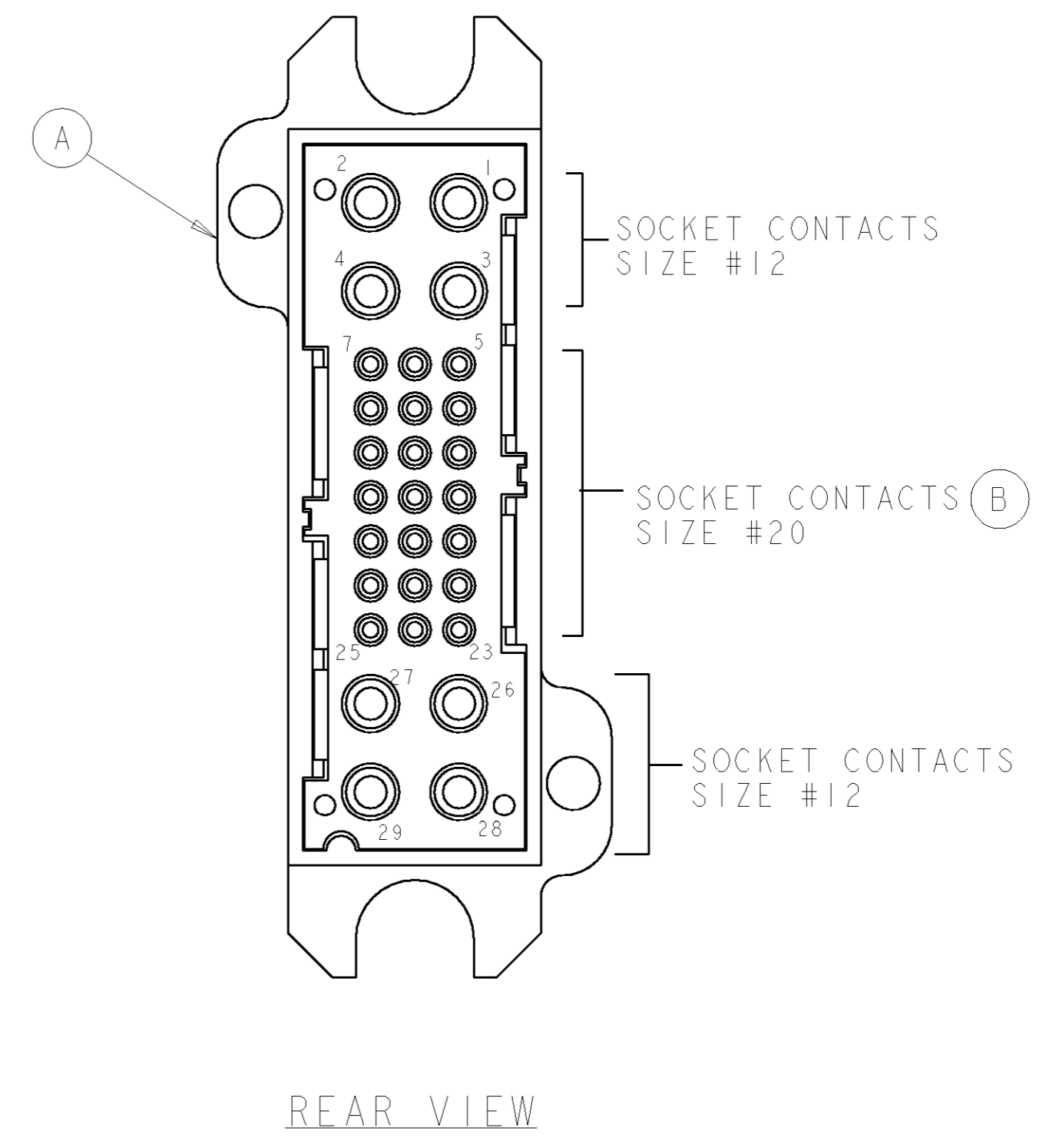
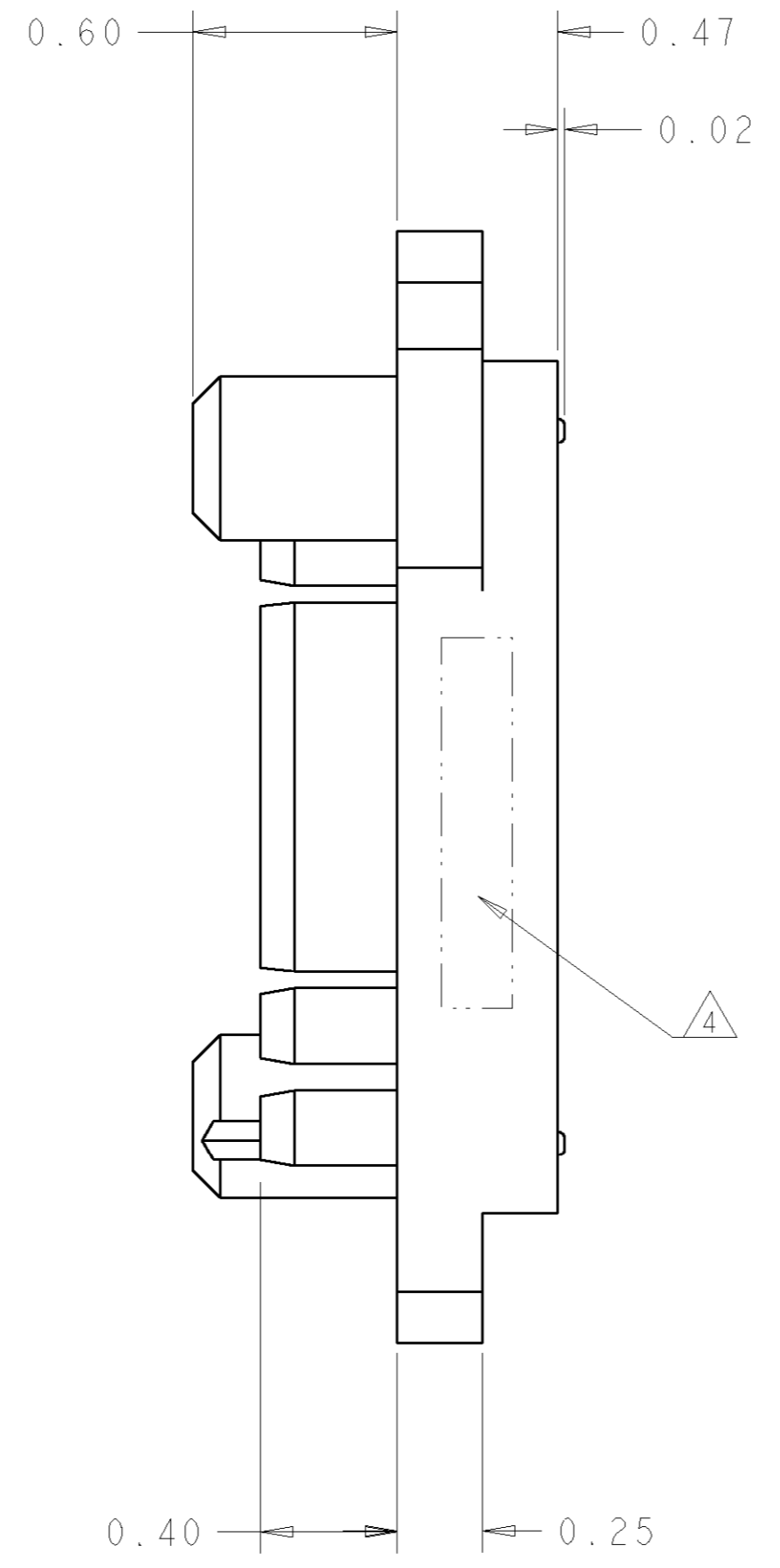
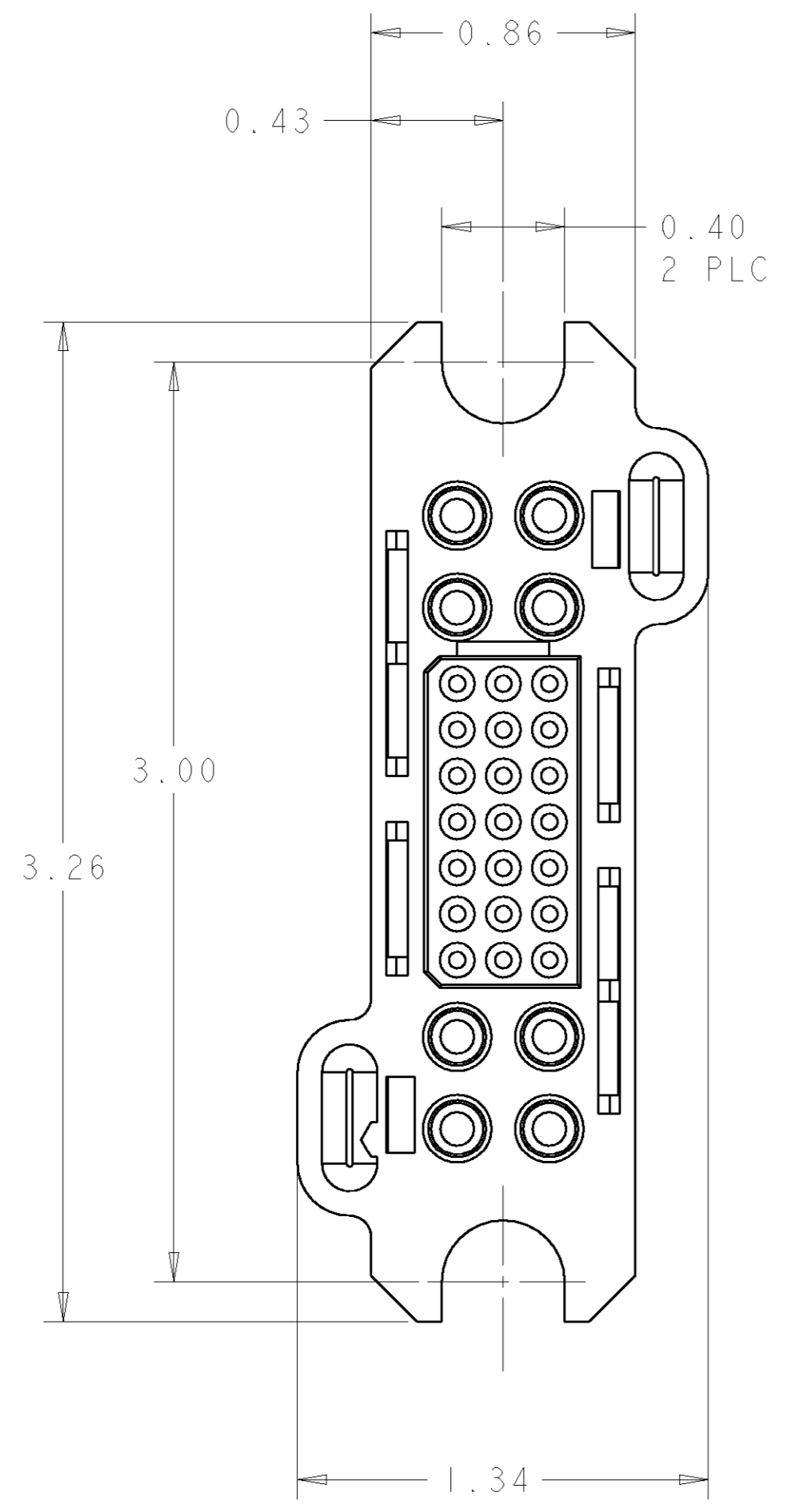


THIS DRAWING IS UNPUBLISHED. RELEASED FOR PUBLICATION 20  
 © COPYRIGHT 20 BY TYCO ELECTRONICS CORPORATION. ALL RIGHTS RESERVED.

LOC	DIST	REVISIONS			
P	LTR	DESCRIPTION	DATE	DWN	APVD
GP	00	A	RELEASED	09OCT2006	RG SF
		B	REV PER ECO-07-002066	29JAN2007	RG SF



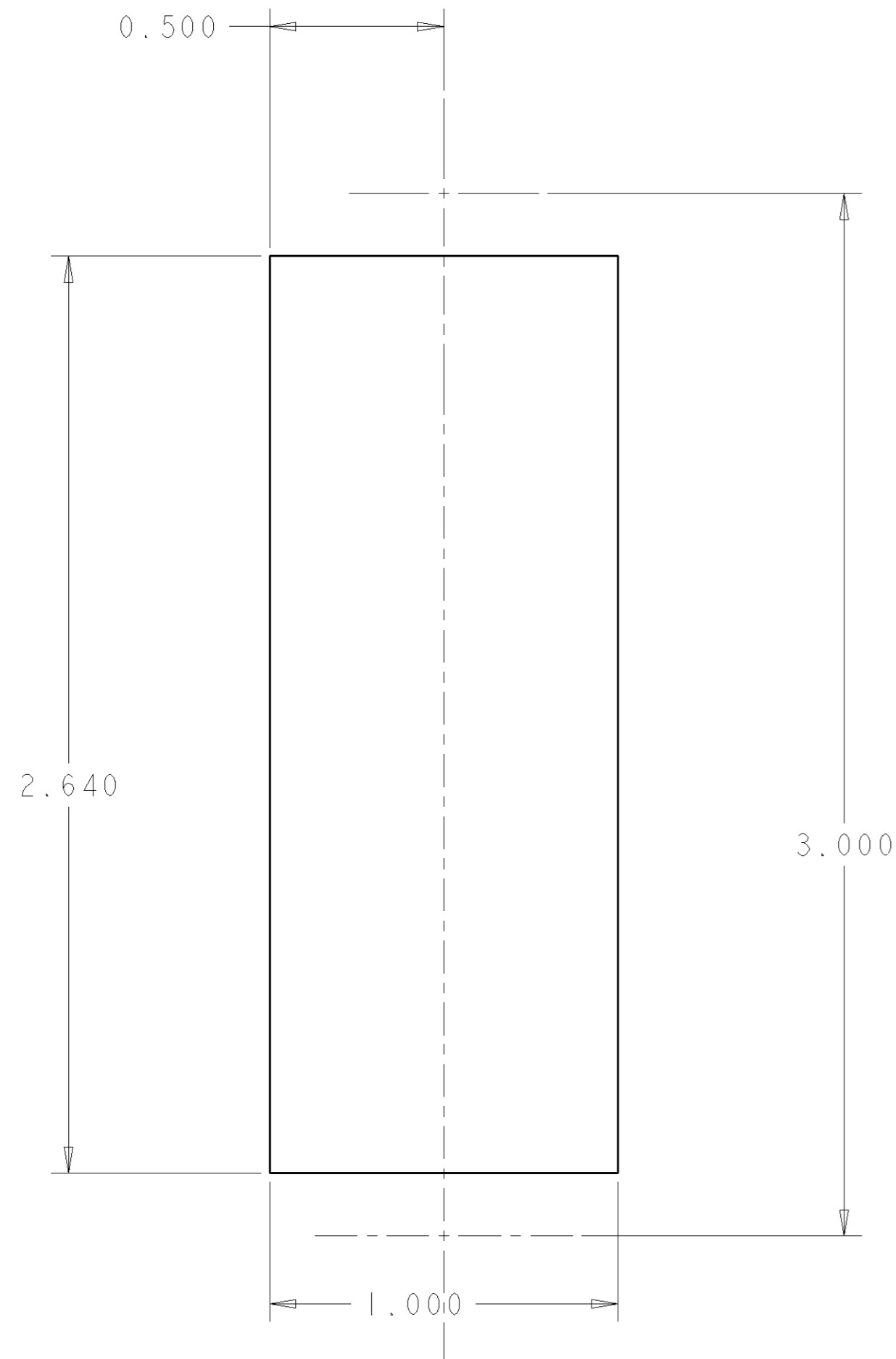
AS SHOWN	1926245-1
DESCRIPTION	PART NUMBER

**ELCON LOWER DRAWER**

<small>THIS DRAWING IS A CONTROLLED DOCUMENT FOR TYCO ELECTRONICS CORPORATION. IT IS SUBJECT TO CHANGE AND THE CONTROLLING ENGINEERING ORGANIZATION SHOULD BE CONTACTED FOR THE LATEST REVISION.</small>		DWN R. GRZYBOWSKI 04OCT06 CHK S. FLICKINGER 04OCT06 APVD S. FLICKINGER 04OCT06	<b>tyco</b> Electronics Tyco Electronics Harrisburg, PA 17105-3608
DIMENSIONS: INCHES 	TOLERANCES UNLESS OTHERWISE SPECIFIED: 0 PLC ± 1 PLC ± 2 PLC ±.02 3 PLC ±.010 4 PLC ± ANGLES ±.5 FINISH	PRODUCT SPEC - APPLICATION SPEC - WEIGHT - CUSTOMER DRAWING	NAME CONNECTOR ASSEMBLY SOCKET, CRIMP 75 AMP, LOWER DRAWER SIZE A2 CAGE CODE 00779 DRAWING NO. 1926245 RESTRICTED TO - SCALE 3:1 SHEET 1 OF 2 REV B

THIS DRAWING IS UNPUBLISHED. RELEASED FOR PUBLICATION 20  
 © COPYRIGHT 20 BY TYCO ELECTRONICS CORPORATION. ALL RIGHTS RESERVED.

LOC	DIST	REVISIONS					
		P	LTR	DESCRIPTION	DATE	DWN	APVD
GP	00	-		SEE SHEET 1	-	-	-



SUGGESTED PANEL CUTOUT  
 VIEW FROM CONNECTOR MOUNTING SIDE

- PART NUMBER CHANGES AND OR DESIGN CHANGES AFFECTING THE INTERCHANGEABILITY REQUIRE PRIOR TYCO APPROVAL AND AUTHORIZATION BY REVISION TO THIS DRAWING.
- MATERIAL:  
 INSULATOR: THERMOPLASTIC, GLASS REINFORCED, UL 94V-0  
 FLAMMABILITY RATED, COLOR: BLACK  
 CONTACT: COPPER ALLOY  
 CROWN BAND: COPPER ALLOY  
 RETENTION CLIP: BERYLLIUM COPPER OR STAINLESS STEEL  
 SHOULDER SCREWS: STAINLESS STEEL
- FINISH:  
 CONTACTS SIZE #20 BODY : GOLD .000010 MIN THK.  
 OVER NICKEL .00040 MIN THK.  
 CROWN BAND CONTACT: GOLD .000030 MIN THK.  
 OVER NICKEL .00040 MIN THK.

△4 ITEMS PROVIDED TO THIS SPECIFICATION TO BE PERMANENTLY IDENTIFIED PER THE FOLLOWING IDENTIFIER:

YEAR    WEEK   

TYCO PART NUMBER XXXXXXXX-X      DATE CODE (e.g. 0216) XXXX

△5 CRIMP CONTACTS AND SHOULDER SCREWS (ITEMS B AND C) SHALL BE PACKAGED SEPARATELY AND PLACED IN THE BOX WITH THE CONNECTOR ASSEMBLY.

△5	C	2	1650589-1	FLOAT MOUNT SHOULDER SCREW, M4 X 0.7
△5	B	15	1648325-1	CONTACT, SOCKET, #20, CRIMP
	A	1	1648206-2	HOUSING, SOCKET, FLOAT MOUNT
	ITEM	-1	PART NUMBER	DESCRIPTION

**ELCON LOWER DRAWER**

<small>THIS DRAWING IS A CONTROLLED DOCUMENT FOR TYCO ELECTRONICS CORPORATION. IT IS SUBJECT TO CHANGE AND THE CONTROLLING ENGINEERING ORGANIZATION SHOULD BE CONTACTED FOR THE LATEST REVISION.</small>		DWN R.GRZYBOWSKI 04OCT06 CHK S.FLICKINGER 04OCT06 APVD S.FLICKINGER 04OCT06	Tyco Electronics Harrisburg, PA 17105-3608
DIMENSIONS: INCHES 	TOLERANCES UNLESS OTHERWISE SPECIFIED: 0 PLC ± 1 PLC ± 2 PLC ±.02 3 PLC ±.010 4 PLC ± ANGLES ±.5 FINISH	NAME S.FLICKINGER PRODUCT SPEC - APPLICATION SPEC - WEIGHT -	NAME CONNECTOR ASSEMBLY SOCKET, CRIMP 75 AMP, LOWER DRAWER SIZE A200779 CAGE CODE G-1926245 DRAWING NO 1926245 RESTRICTED TO -
MATERIAL		CUSTOMER DRAWING	SCALE 3:1 SHEET 2 OF 2 REV B