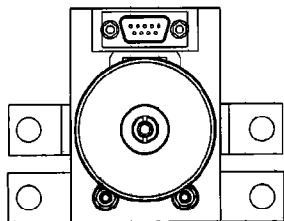
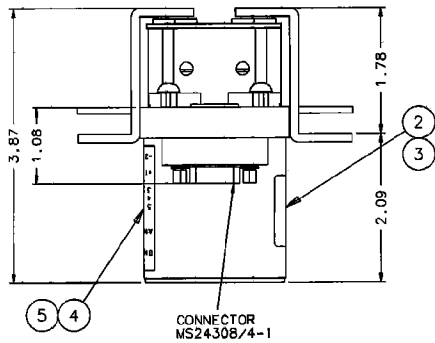
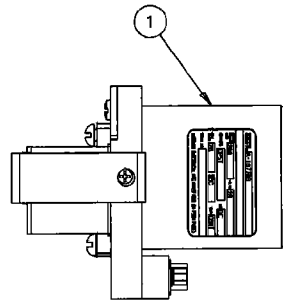
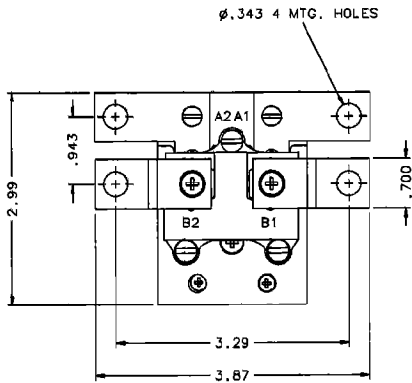


A-1077BB

REV	DESCRIPTION	RELEASED	DATE	APPROVED
D 47467	ADDED DETAIL TO NAMEPL. SCHE. AND A VIEW		02/08/21	CC
E D036-02	ADDED TIMES TO DWG		02/09/19	CC
F D585-03	3.29 WAS 3.296; 3.87 WAS 3.872		03/06/19	CC

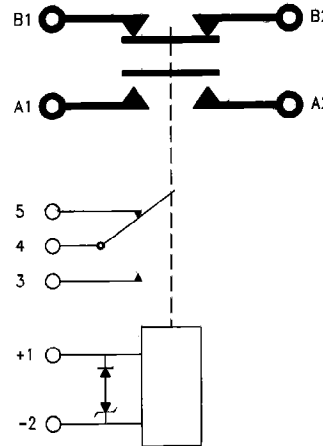


CONSTRUCTION GASKET SEALED, SILASTIC SEALED  
 MAIN CONTACTS  
 CONFIGURATION DPST 1N.O., 1N.C. (DOUBLE BREAK)  
 VOLTAGE (NOM.) 28 VDC  
 RUPTURE 2000 AMP  
 INRUSH 1000 AMP

AUXILIARY CONTACTS  
 CONFIGURATION S.P.D.T.  
 VOLTAGE 28 VDC.  
 CURRENT RES. 10 AMP

COIL DATA  
 DUTY CYCLE CONTINUOUS  
 OPERATE VOLTAGE 22-29 VDC  
 PICKUP VOLTAGE 18 VDC  
 DROPOUT VOLTAGE .5-7 VDC  
 RES AT 25°C 50 OHM ±10  
 OPERATE TIME 45 mSEC MAX AT 28 VDC  
 RELEASE TIME 25 mSEC MAX AT 28 VDC  
 BOUNCE TIME 5 mSEC MAX AT 28 VDC

ENVIRONMENTAL DATA  
 AMBIENT TEMP -55°C TO + 71°C  
 LIFE ELECTRICAL 50,000 CYCLES MIN  
 LIFE MECHANICAL 100,000 CYCLES MIN  
 WEIGHT MAX 1 LB 15 OZ.



5	1	39528-051	OVERLAY - SCHEMATIC			
4	1	45657-001	SCHEMATIC			
3	1	39529-001	OVERLAY			
2	1	16043-12B	PLATE - NAME			
1	1	33502-06D	CONTACTOR ASSEMBLY - PRIMARY			
REV	QTY	PART OR	NOMENCLATURE OR	PSDM	DRAWING OR	MATERIAL
NO	REQD	IDENTIFYING NO	DESCRIPTION	NO	SPECIFICATION	OR NOTE
UNLESS OTHERWISE SPECIFIED, DIMENSIONS ARE IN INCHES TOLERANCES OR			 Hartman Division • 175 N. DIAMOND STREET • MANSFIELD, OHIO 44903		CONTACTOR - D.P.S.T., 1NO.1NC 200 AMP, 28 VDC	
2 IN. DEC.; 1/32 IN. DEC. ANGLES						
±.06   ±.010   ±1°			CHK BY	CC 03/07/01		
MATERIAL			ENGR	RS 03/07/19		
			MFG	TH 03/16/19		
			SIZE	CODE IDENT	DWG NO.	
			B	74063	A-1077BB	
			SCALE	NONE	SHEET	
			REF TYCO P/N 1-1616916-8			