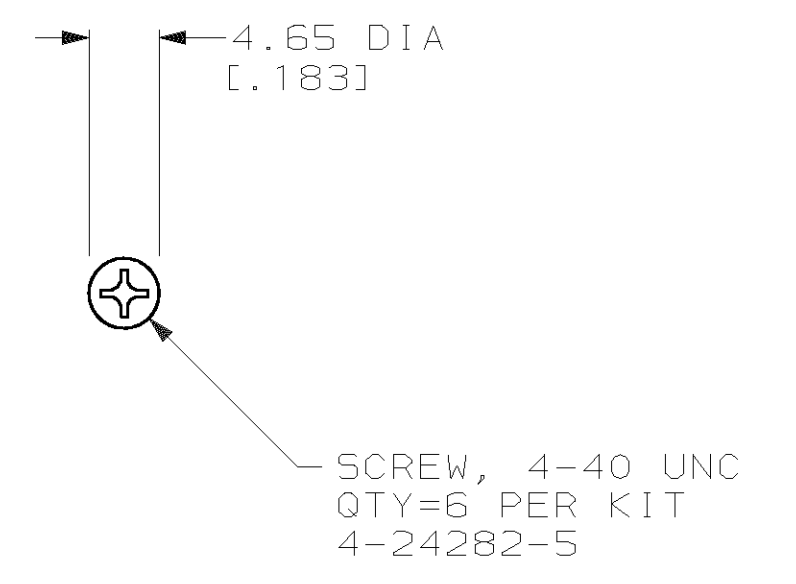
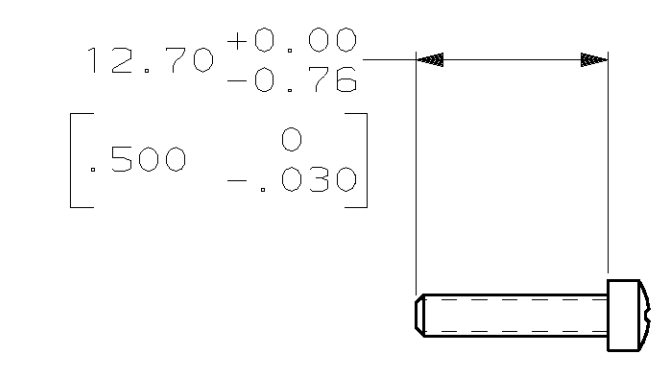
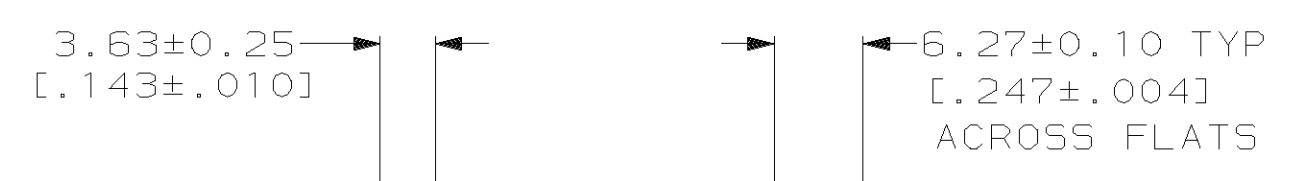
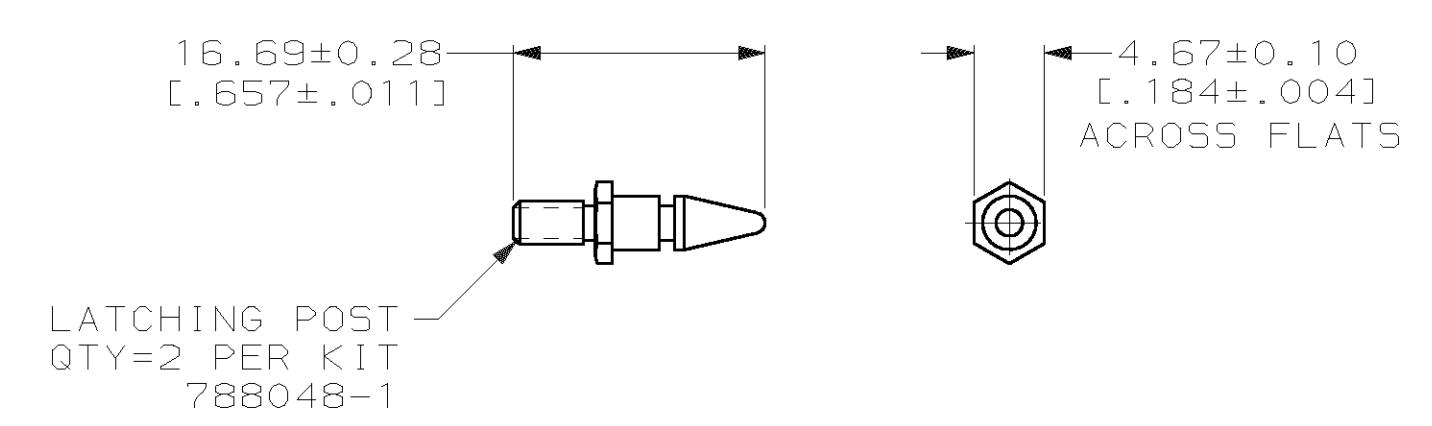
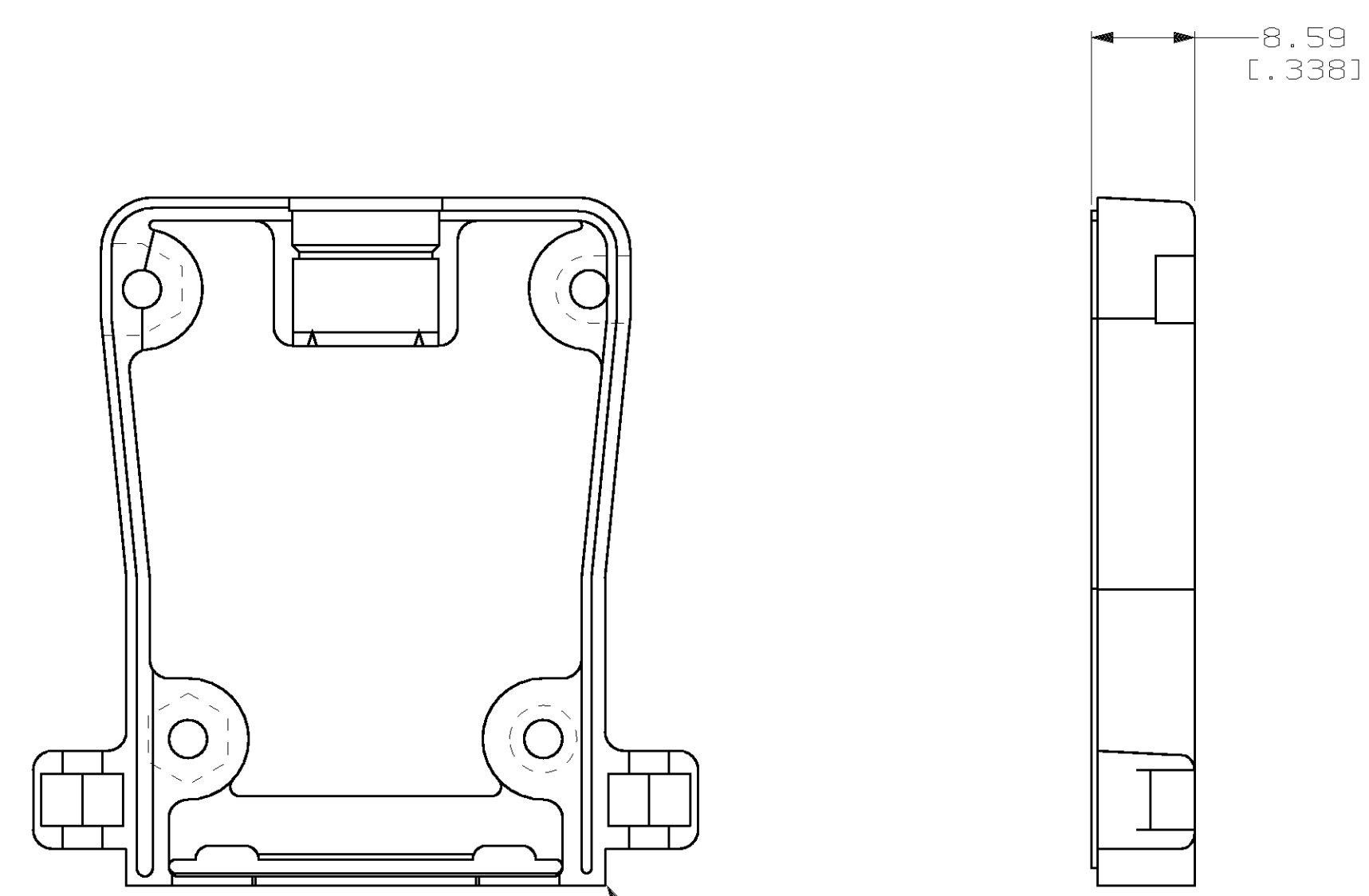
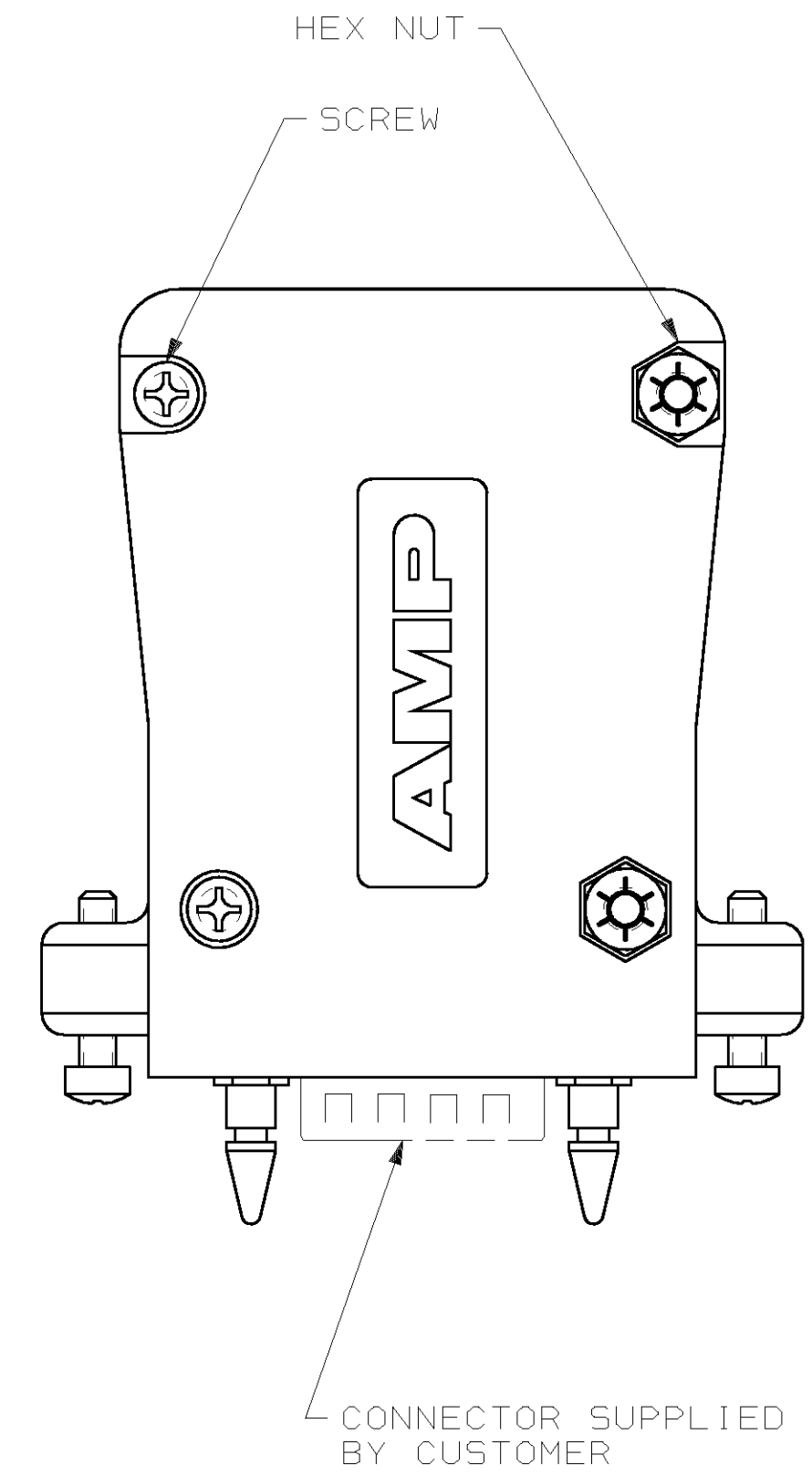
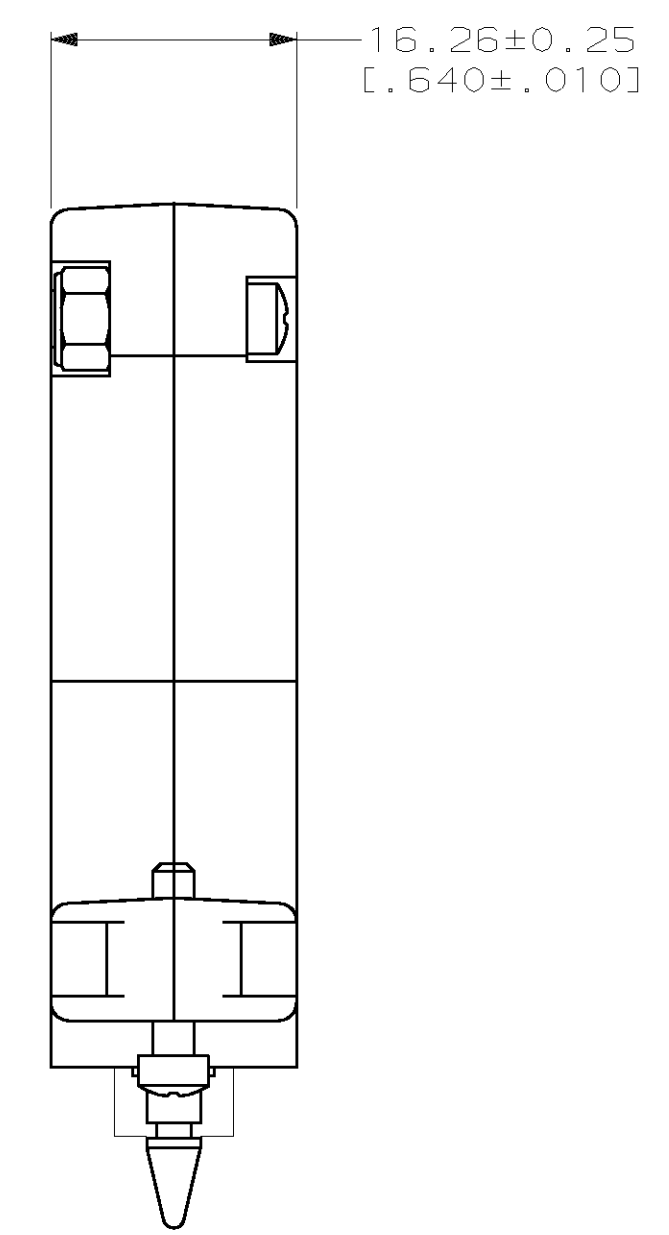
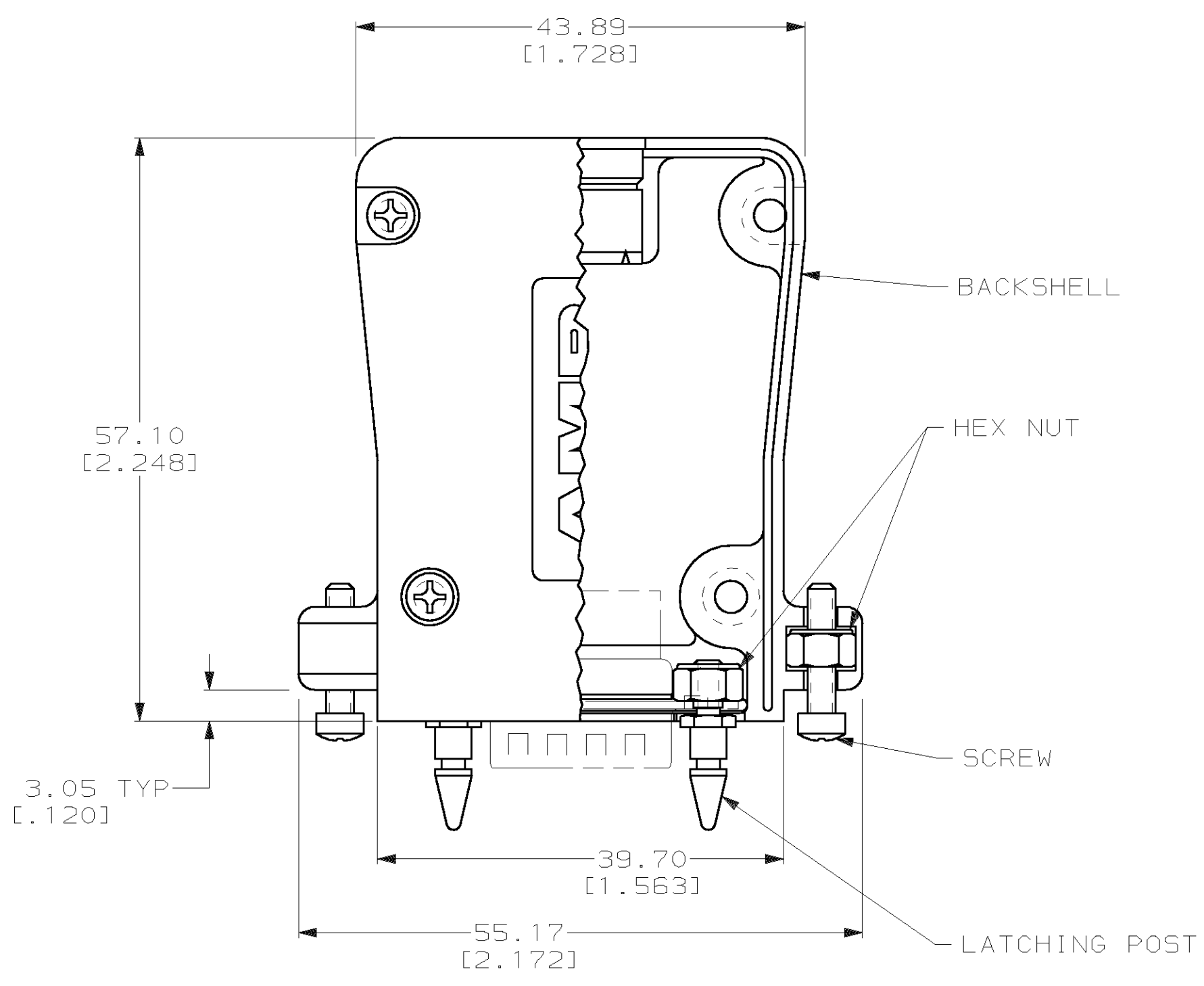
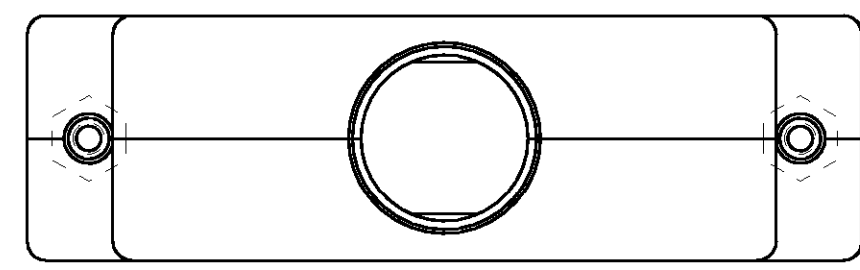


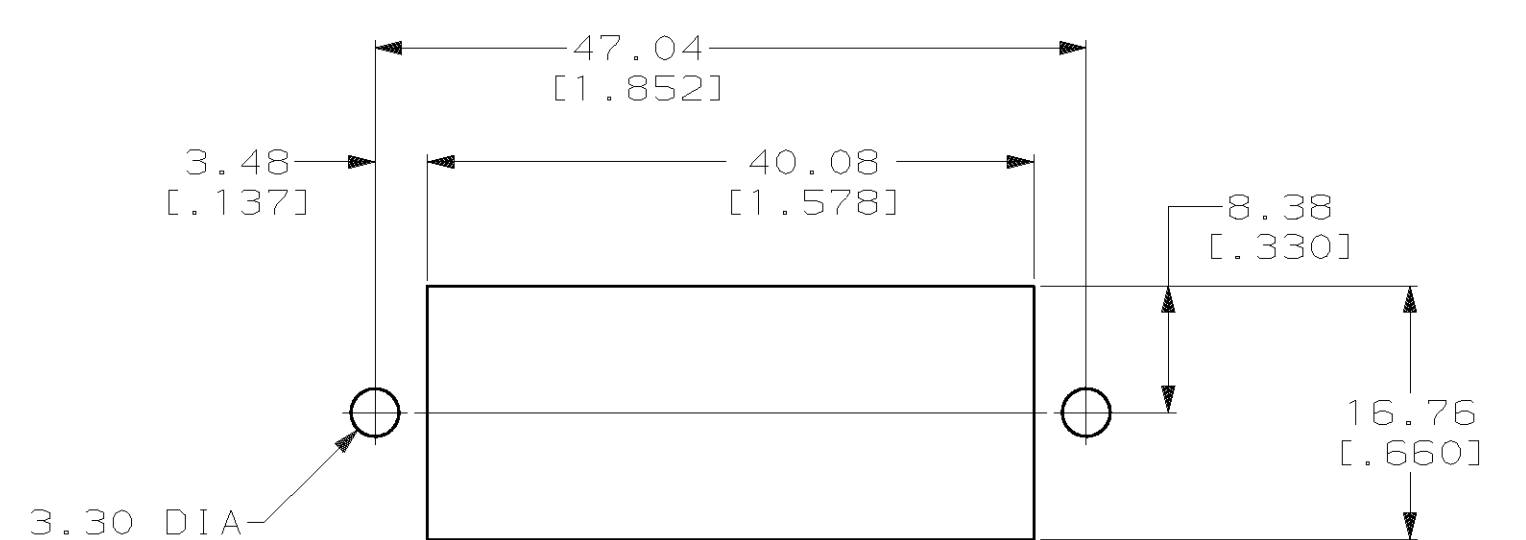
LOC	DIST	REV	YR	DESCRIPTION	DATE	DN	APVD
		E		RLSE PER NPR 23	11 APR 97	WGL	-
		F		REV PER EC 0320-159-97	20 MAY 97	BC	DK
		G		REV PER EC 0320-169-97	28 MAY 97	MB	GM
		H		REV PER EC 0640-321-98	28 AUG 98	MB	JO
		J		REV PER EC 0640-404-98	16 OCT 98	CO	JO
		K		REV PER EC 0010-0021-99	08MAR00	JEB	CB



BACKSHELL
QTY=2 PER KIT
788090-4



ASSEMBLED VIEWS



RECOMMENDED PANEL CUTOUT

- ⚠ BACKSHELL, ABS, NATURAL.
LATCHING POST: STAINLESS STEEL.
HEX NUT & SCREW: CARBON STEEL.
- ⚠ BACKSHELL: 4.57µm[.000180] MIN NICKEL OVER 7.62µm[.000300] MIN COPPER,
ALL OVER 0.25µm[.000010] MIN ELECTROLESS NICKEL.
HEX NUT AND SCREW: ZINC; LATCHING POST: PASSIVATED.
- ⚠ KITS ARE INDIVIDUALLY PACKED.
- ⚠ KITS ARE BULK PACKED.

⚠	788073-2
⚠	788073-1
PART NUMBER	

THIS DRAWING IS A CONTROLLED DOCUMENT.		DWN W.G.LENKER 14 APR 97	03 OCT 96	AMP AMP Incorporated Harrisburg, PA 17105-3608
DIMENSIONS: mm (INCHES)		CHK R.STONE 14 APR 97	NAME G.D.MILLER	
TOLERANCES UNLESS OTHERWISE SPECIFIED:		PRODUCT SPEC 108-40032-1		BACKSHELL KIT, UNASSEMBLED, SIZE 1, IN-LINE, AMPLIMITE™
0 PLC ±.005		APPLICATION SPEC		
1 PLC ±.010		SIZE		SCALE 2:1 SHEET 1 OF 1 REV K
2 PLC ±.013 (.005)		CAGE CODE		
3 PLC ±.020		DRAWING NO		A1 00779 C-788073
4 PLC ±.030		WEIGHT		
MATERIAL		CUSTOMER DRAWING		