

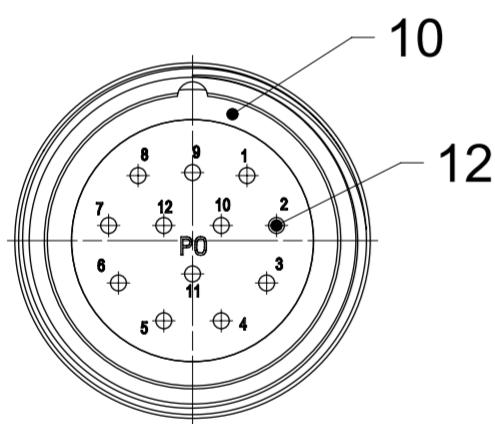
TABLE 1

MOLEX P/N	ENG. NO.	CABLE LENGTH (mm)	LED
1202510091	BKB817P-FBW-003	300	YES
1202510092	BKB817N-FBW-003	300	YES

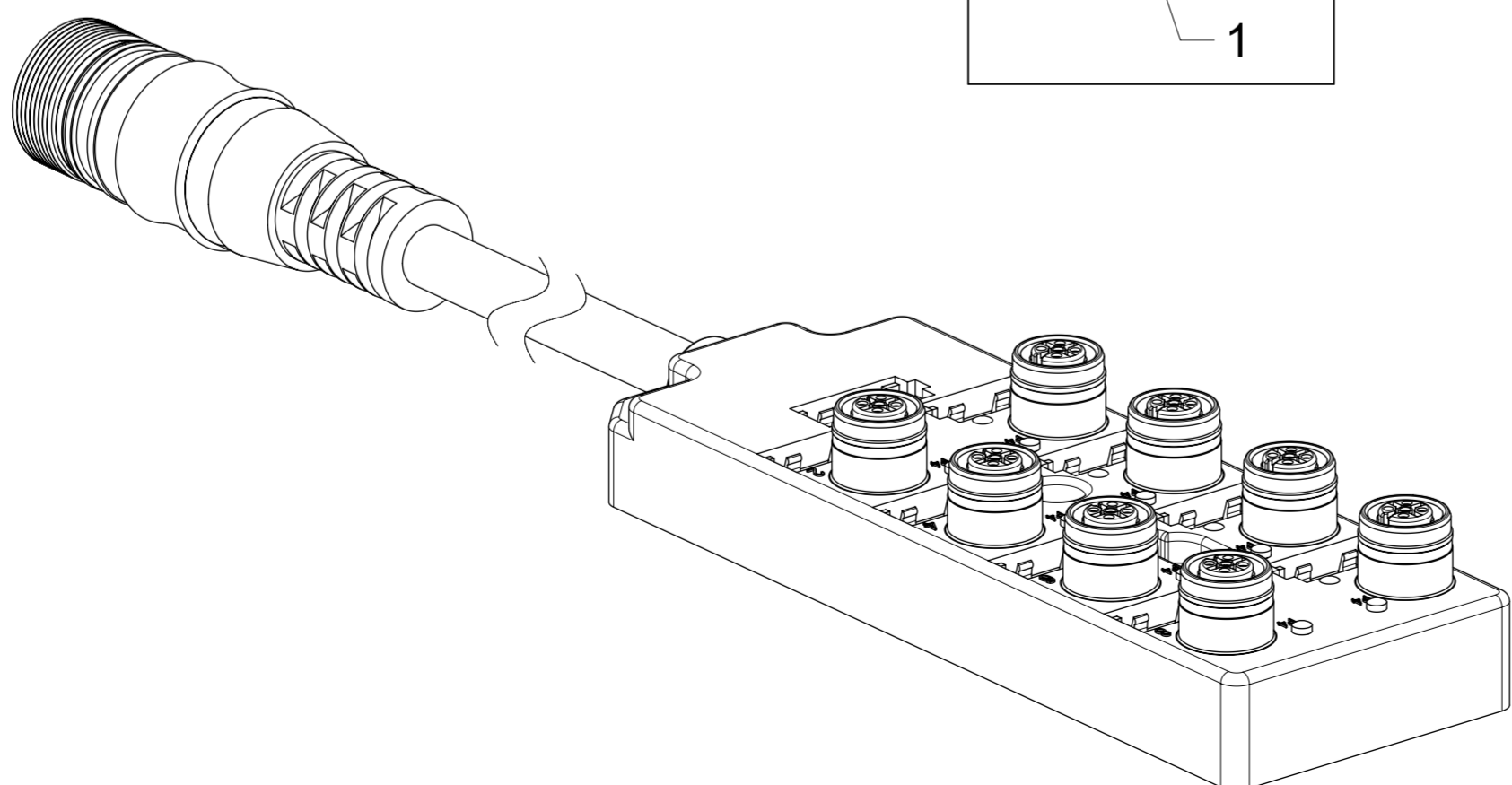
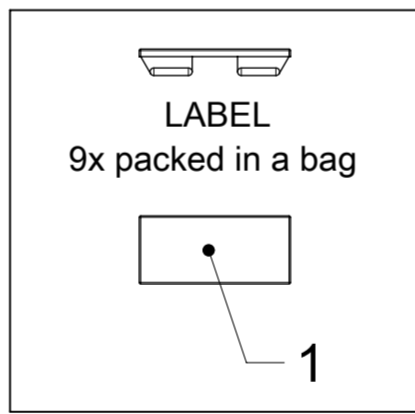
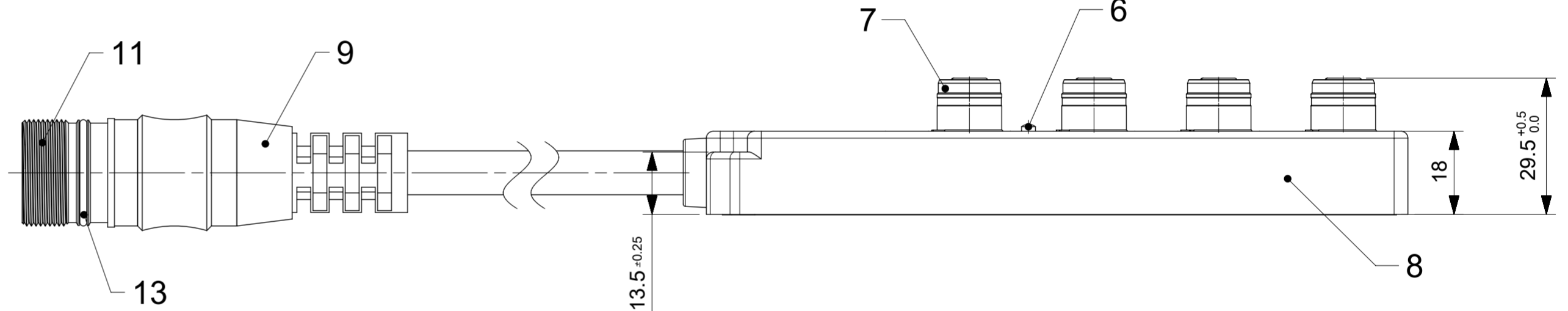
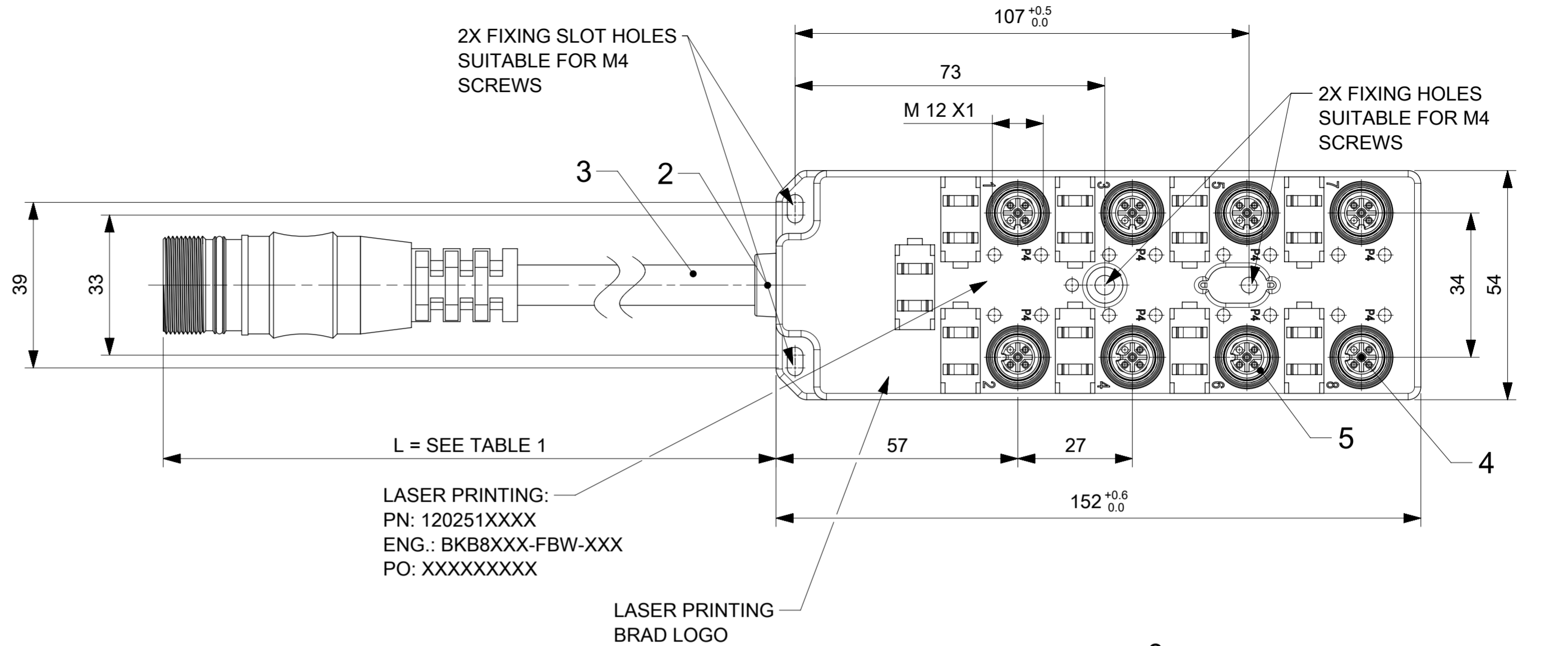
TABLE 2 BILL OF MATERIAL

ITEM	DESCRIPTION	MATERIAL	FINISH
1	LABEL	ABS	WHITE
2	CABLE PLATE	PBT	BLACK
3	CABLE	TPU BASED	BLACK
4	CONTACT	BRONZE	GOLD OVER NICKEL
5	O-RING	FPM	RED
6	LED	NON LED = PA	BLACK
		WITH LED = PA	TRANSPARENT
7	SHELL	BRASS	NICKEL PLATED
8	HOUSING	PBT	BLACK
9	OVERMOLD	PUR	BLACK
10	O-RING	NBR	BLACK
11	SHELL	BRASS	NICKEL PLATED
12	CONTACT	BRONZE	GOLD OVER NICKEL
13	O-RING	NBR	BLACK

M23 12PIN FRONT VIEW



PIN	COLOR
1	WHITE
2	GREEN
3	YELLOW
4	GREY
5	PINK
6	RED
7	BLACK
8	VIOLET
9	BLUE
10	-
11	BROWN
12	YELLOW/GREEN



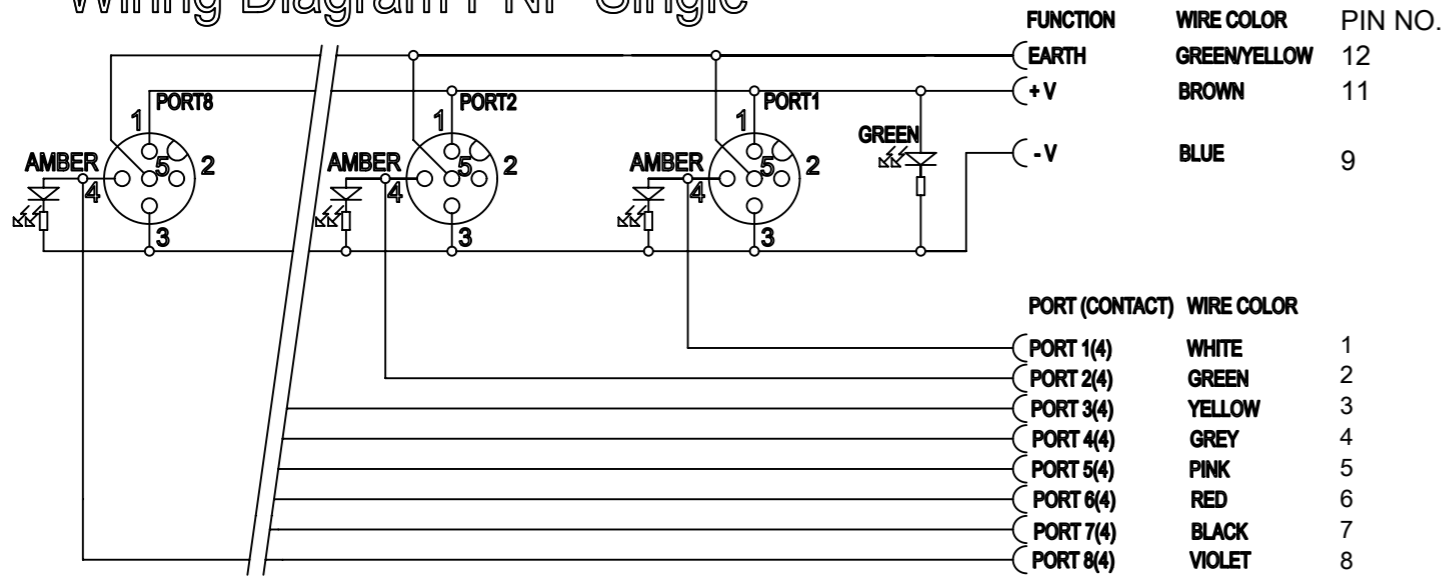
GENERAL CHARACTERISTICS:

ELECTRICAL AND MECHANICAL DATA ACC. TO IEC 61076-2-101

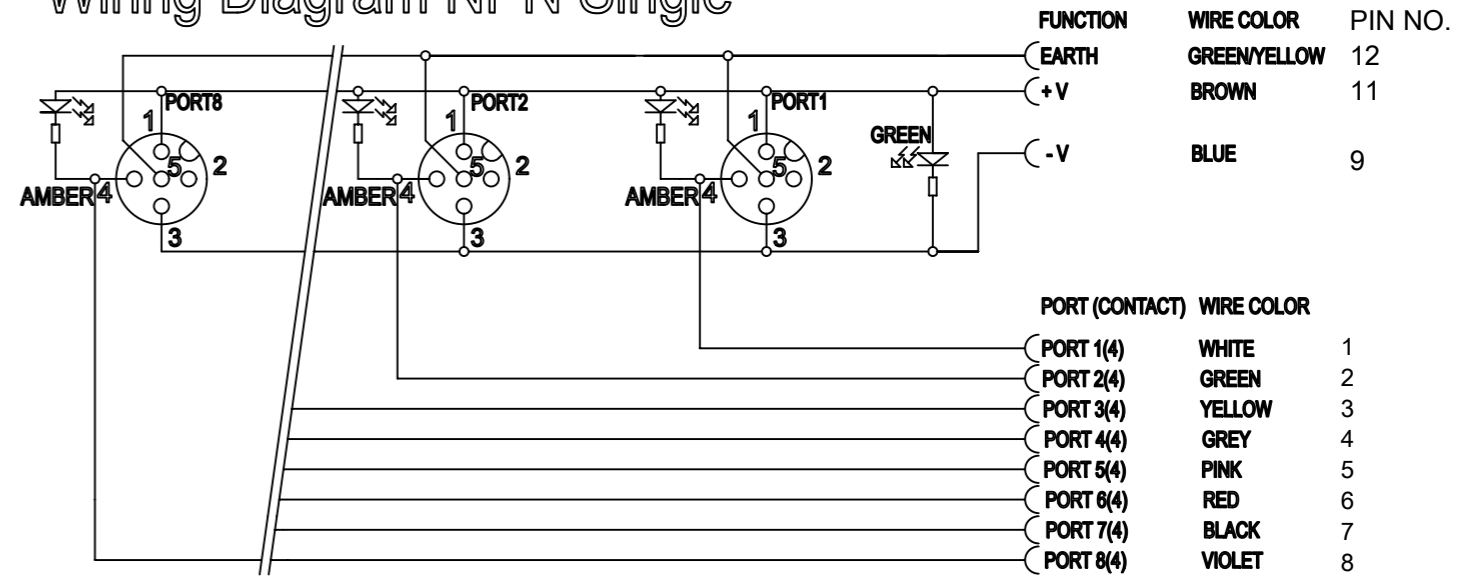
NOMINAL VOLTAGE: 10-30 V DC
 AMPERE RATING: 4 A PER PORT / 12 A MAX
 AMPERE RATING WITH UL REGISTRATION: 3 A PER PORT / 9 A MAX
 IP DEGREE OF PROTECTION: IP 67
 TEMPERATURE RANGE: -25°C to + 85°C

THIS DRAWING CONTAINS INFORMATION THAT IS PROPRIETARY TO MOLEX ELECTRONIC TECHNOLOGIES, LLC AND SHOULD NOT BE USED WITHOUT WRITTEN PERMISSION		CURRENT REV DESC: INITIAL RELEASE		molex	
DIMENSION UNITS	SCALE	EC NO: 631635			
mm	1:1	DRWN: MDHARMANTI 2020/01/28		MPIS U12 PNP 4P 8PT 0.3M M23 12P BK	
GENERAL TOLERANCES (UNLESS SPECIFIED)		CHK'D: RSILLER 2020/02/05			
ANGULAR TOL	± 1.0°	APPR: RSILLER 2020/02/05		PRODUCT CUSTOMER DRAWING	
4 PLACES	±	INITIAL REVISION:			
3 PLACES	±	DRWN: SSM 2019/01/04		DOCUMENT NUMBER: 1202510091	
2 PLACES	± 0.05	APPR: RSILLER 2020/01/17			
1 PLACE	± 0.3	SERIES: 120251		DOC PART: 000	
0 PLACES	± 0.5	MATERIAL NUMBER: SEE TABLE 1			
DRAFT WHERE APPLICABLE MUST REMAIN WITHIN DIMENSIONS		THIRD ANGLE PROJECTION	DRAWING: A2-SIZE	CUSTOMER: GENERAL MARKET	SHEET NUMBER: 1 OF 2

Wiring Diagram PNP Single



Wiring Diagram NPN Single



CABLE LENGTH TOLERANCES

LENGTH [m]	TOLERANCE [mm]
0-1	+40
>1-5	+60
>5-10	+80
>10-20	+140
>20-30	+160
>30	+1% length

THIS DRAWING CONTAINS INFORMATION THAT IS PROPRIETARY TO MOLEX ELECTRONIC TECHNOLOGIES, LLC AND SHOULD NOT BE USED WITHOUT WRITTEN PERMISSION

DIMENSION UNITS	SCALE	CURRENT REV DESC: INITIAL RELEASE					
mm	1:1						
GENERAL TOLERANCES (UNLESS SPECIFIED)				MPIS U12 PNP 4P 8PT 0.3M M23 12P BK			
ANGULAR TOL	± 1.0 °			PRODUCT CUSTOMER DRAWING			
4 PLACES	±			DOCUMENT NUMBER			
3 PLACES	±	EC NO: 631635	2020/01/28	1202510091	PSD	000	A1
2 PLACES	± 0.05	DRWN: MDHARMANTI	2020/02/05	MATERIAL NUMBER			CUSTOMER
1 PLACE	± 0.3	CHK'D: RSILLER	2020/02/05	SEE TABLE 1			GENERAL MARKET
0 PLACES	± 0.5	APPR: RSILLER	2020/02/05	SERIES			SHEET NUMBER
DRAFT WHERE APPLICABLE MUST REMAIN WITHIN DIMENSIONS		THIRD ANGLE PROJECTION	DRAWING	120251	2 OF 2		