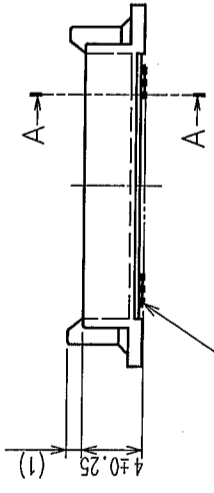
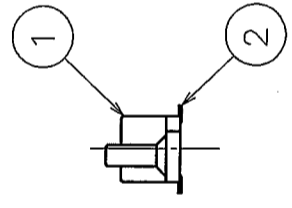
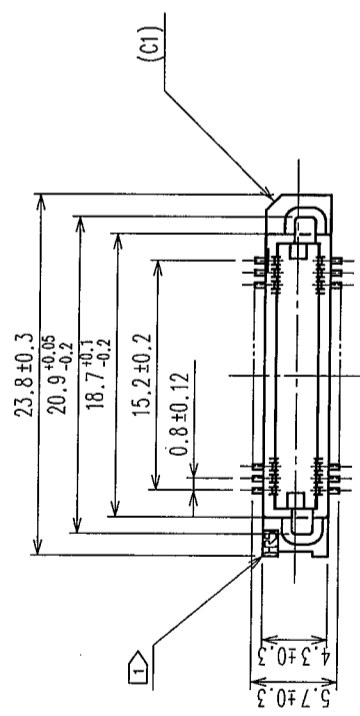
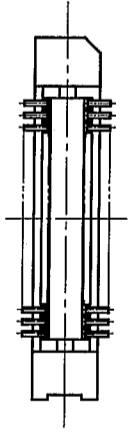


2 In case of consideration for using Automotive equipment / device which demand high reliability, kindly contact our sales window correspondents.

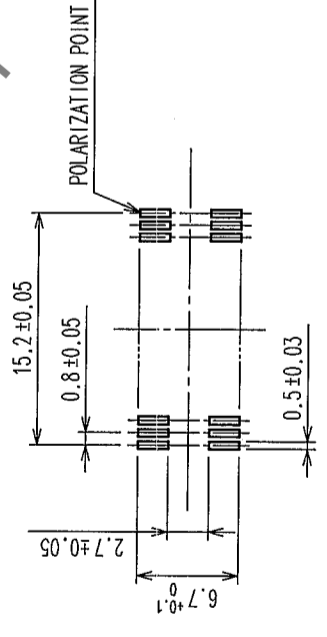
COUNT	DESCRIPTION OF REVISIONS	BY	CHKD	DATE	COUNT	DESCRIPTION OF REVISIONS	BY	CHKD	DATE
△					△				
△					△				
△					△				



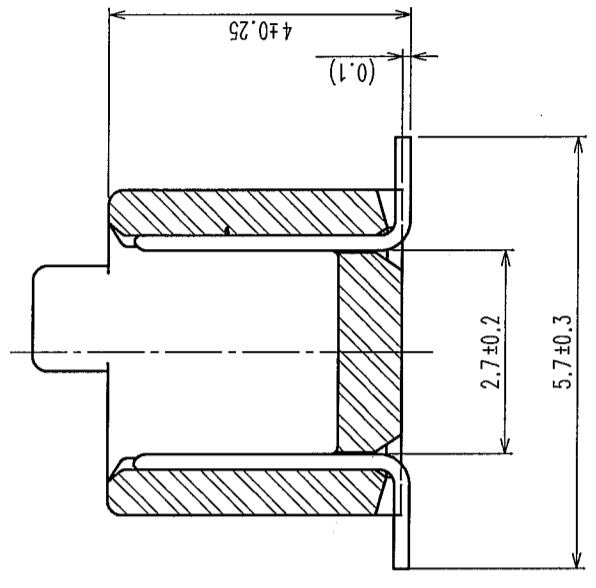
t:0.2±0.05×W:0.35±0.05



RECOMMENDED P.C.B. LAND PATTERN (MOUNT SIDE)



A-A (10:1)



- NOTE
- HRS MARK SHALL BE OPTIONAL.
 - LEAD CO-PLANARITY SHALL BE 0.1mm MAX.
 - THE DIMENSIONS IN PARENTHESES ARE FOR REFERENCE.
 - EMBOSSED CARRIER TAPE PACKAGING SHALL BE APPLIED FOR THIS PRODUCT.
 - FOR MODIFICATION, ETC, PREVENTIVE HOLE FOR SINK MARK MAY BE ADDED ACCORDING TO CIRCUMSTANCES.

NO.	MATERIAL	FINISH, REMARKS	NO.	MATERIAL	FINISH, REMARKS
1	POLYPHENYLENE SULFIDE	LIGHT BROWN	UL94V-0	2	PHOSPHOR BRONZE
CODE NO. (OLD)			CONTACT AREA : GOLD 0.1μm min. LEAD AREA : GOLD FLASH UNDER PLATING : NICKEL 1.5μm min.		
DRAWN		DESIGNED		CHECKED	
Y. AOYAGI		T. Meda		X. Ogawa	
'05.09.16		'05.09.26		'05.09.27	
DRAWING NO.			PART NO.		
EDC3-071319-22			FX6A-40P-0.8SV(92)		
SCALE			CODE NO.		
2 : 1			CL576-0203-8-92		
UNITS			MM		

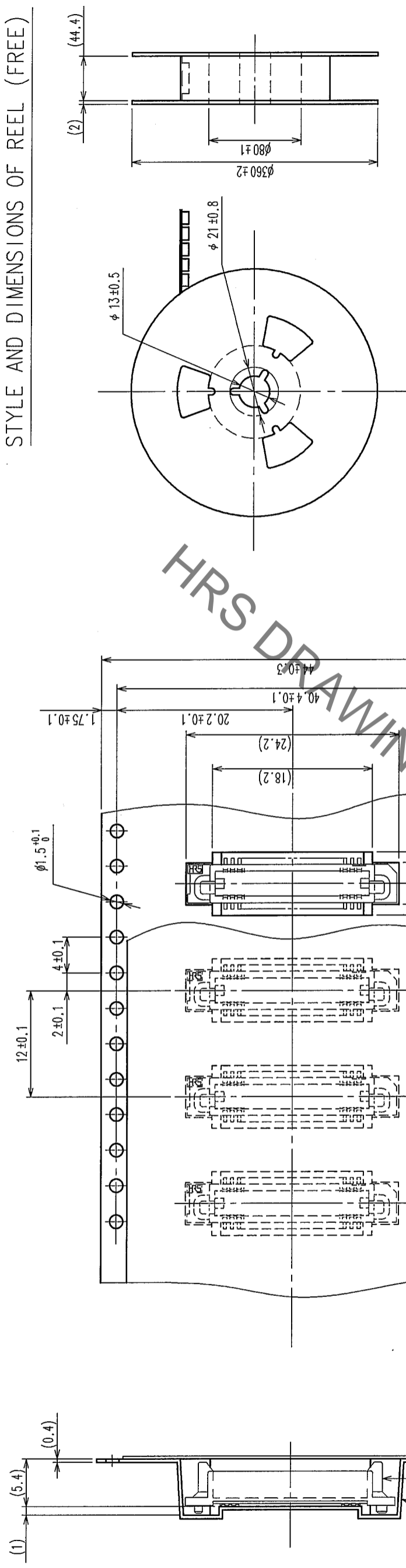
HRS DRAWING FOR REFERENCE

TO	
----	--

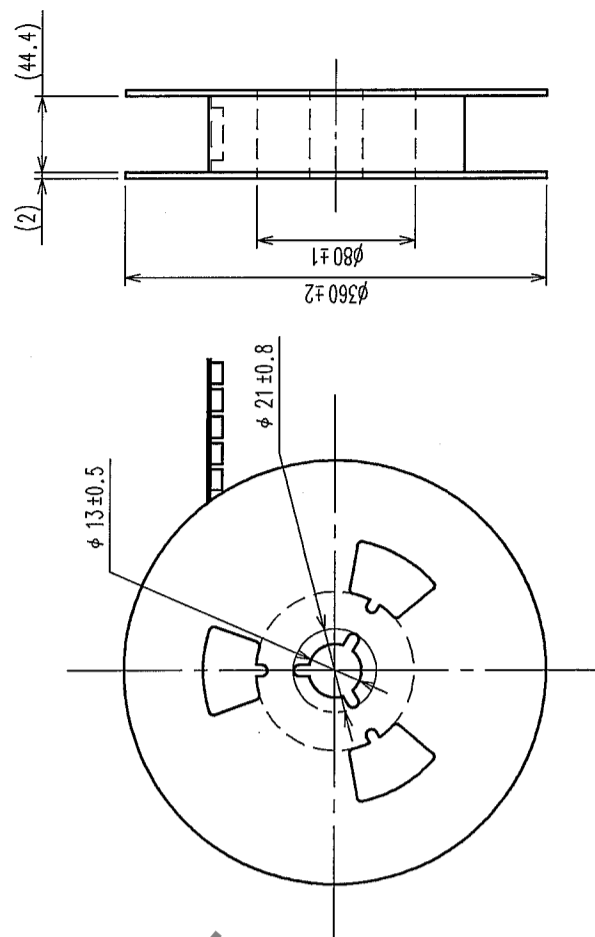
May.1.2023 Copyright 2023 HIROSE ELECTRIC CO., LTD. All Rights Reserved.
 2 In case of consideration for using Automotive equipment / device which demand high reliability, kindly contact our sales window correspondents.

COUNT	DESCRIPTION OF REVISIONS	BY	CHKD	DATE	COUNT	DESCRIPTION OF REVISIONS	BY	CHKD	DATE

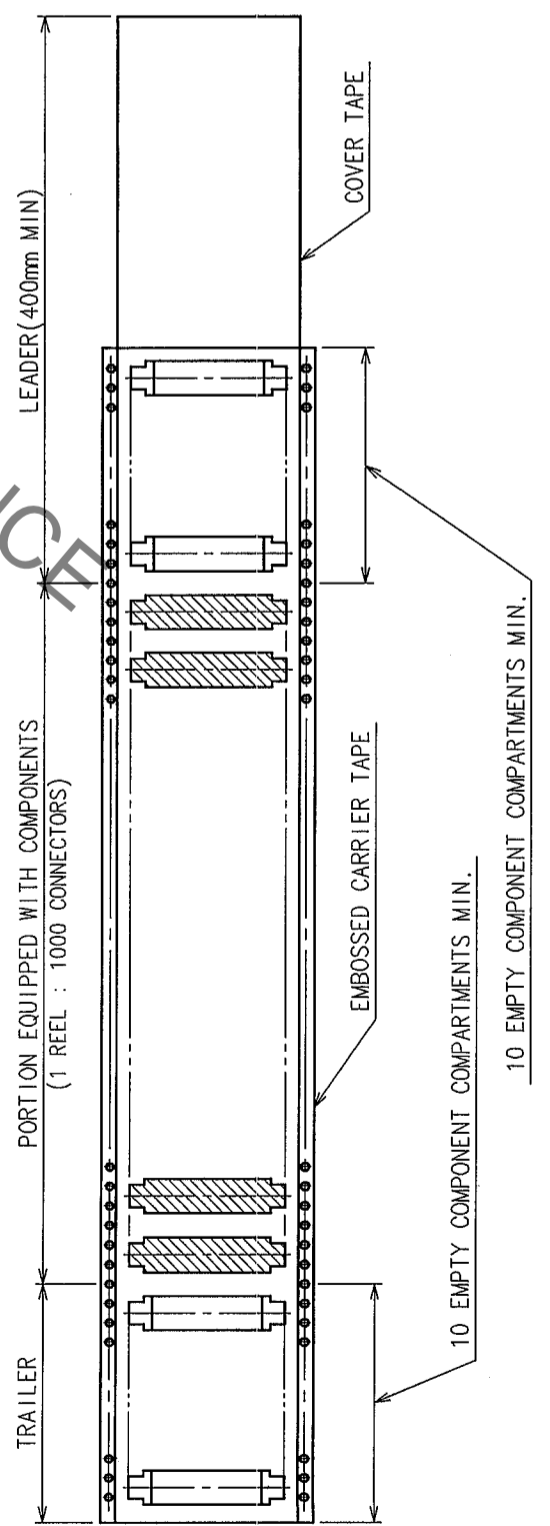
DIRECTION OF UNREELING



STYLE AND DIMENSIONS OF REEL (FREE)



HRS DRAWING FOR REFERENCE



NOTE 1 THE DIMENSIONS IN PARENTHESES ARE FOR REFERENCE.
 2 1 REEL : 1000 CONNECTORS.

NO.	MATERIAL	FINISH, REMARKS	NO.	MATERIAL	FINISH, REMARKS
2	POLYESTER	COVER TAPE	3	(CONNECTOR)	
1	POLYSTYRENE	EMBOSSED CARRIER TAPE			

CODE NO. (OLD)	DRAWN	DESIGNED	CHECKED	APPROVED	RELEASED
	Y. AOYAGI '05.09.16	J. Noda '05.07.26	K. Ogawa '05.09.26	H. Okawa '05.09.26	

DRAWING NO.	PART NO.
EDC3-071319-22	FX6A-40P-0.8SV(92)

SCALE	UNITS	CODE NO.
2 : 1	MM	CL576-0203-8-92

TO	