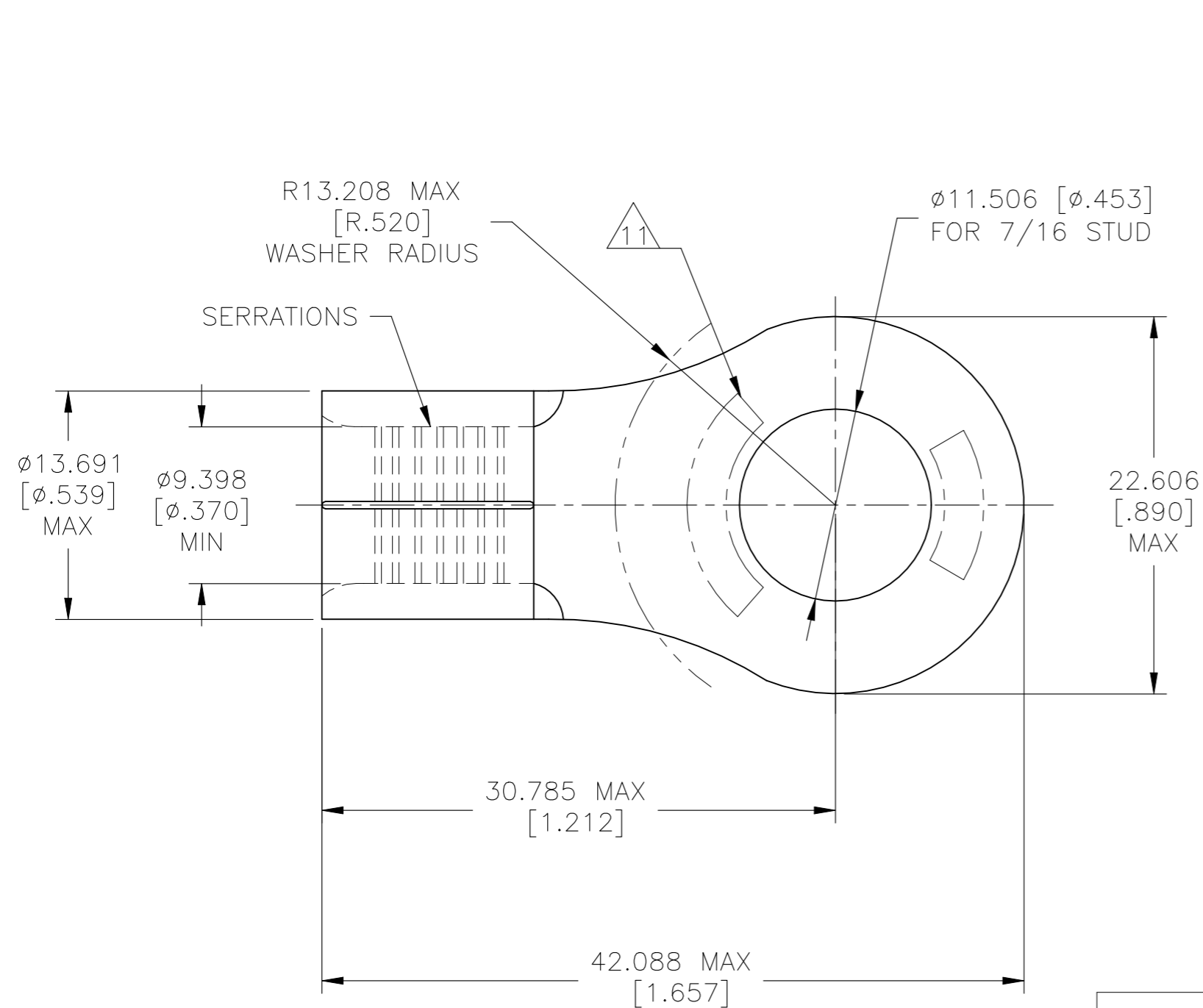


© - TE Connectivity. All Rights Reserved.

REVISIONS					
P	LTR	DESCRIPTION	DATE	DWN	APVD
	C3	REVISED PER ECN-22-150900	27APR2022	RK	CSD



- 1 BODY MATERIAL THICKNESS IS 1.778±0.050[.070±.002].
- 2 COPPER PER ASTM B152, ANNEALED.
- 3 TIN PLATE 0.00254[.000100] MIN EXT THK PER ASTM B545.
- 4 NOTE DELETED
- 5 NOTE DELETED
- 6 NICKEL PLATE 0.00762[0.000300] MIN EXT THK PER QQ-N-290.
- 7 26.7-42.4 sq-mm [52,600-83,700] CIR MILS, SOLID OR STRANDED.
- 8 UL LISTED, FILE E13288.
- 9 CSA CERTIFIED, FILE LR7189.
- 10 PRELIMINARY - NOT FOR PRODUCTION.
- 11 STAMP AMP 2W\* 60-75 APPROX AS SHOWN
- 12 UL 486 A-B

-	343°C MAX	50	LOOSE PIECE	6	320741-1
8 9	170°C MAX	50	LOOSE PIECE	3	320741
APPROVALS	TEMPERATURE	QTY	PACKAGING TYPE	FINISH	PART NO

THIS DRAWING IS A CONTROLLED DOCUMENT.		DWN jr_ruth 030CT03	<b>STE</b> TE Connectivity		
DIMENSIONS: mm [INCHES]		CHK MJ SPICER 030CT03			
TOLERANCES UNLESS OTHERWISE SPECIFIED:		APVD MJ SPICER 030CT03	NAME		
0 PLC ± -		PRODUCT SPEC	TERMINAL, SOLISTRAND, RING TONGUE, WIRE SIZE : 2 AWG		
1 PLC ± -		APPLICATION SPEC	SIZE CAGE CODE DRAWING NO RESTRICTED TO		
2 PLC ± -		WEIGHT	A3 00779 C-320741		
3 PLC ± 0.127[.005]		CUSTOMER DRAWING	SCALE 3:1	SHEET 1 OF 1	REV C3
4 PLC ± -		FINISH			
ANGLES ± 5°		SEE TABLE			
MATERIAL					
2					