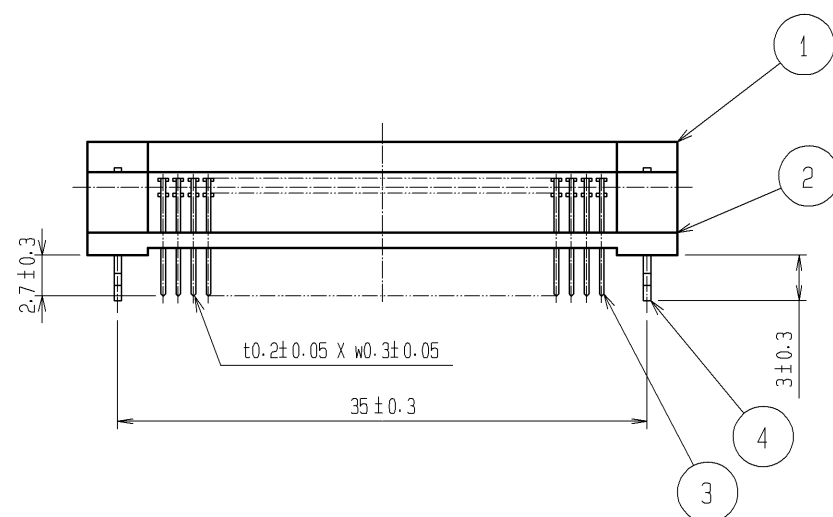
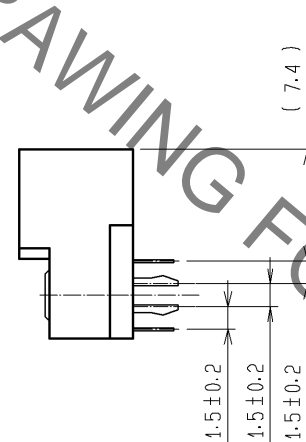
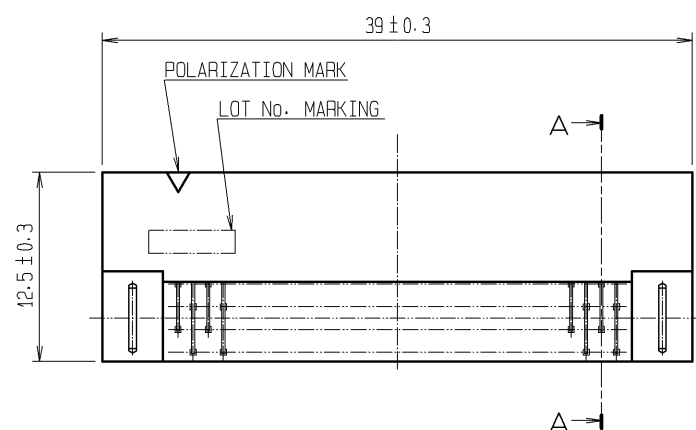
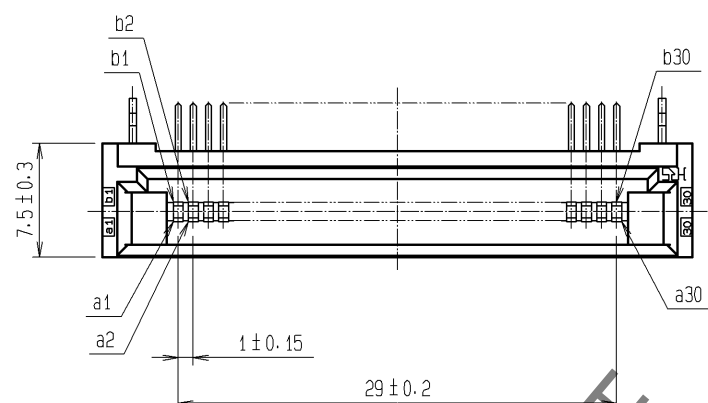
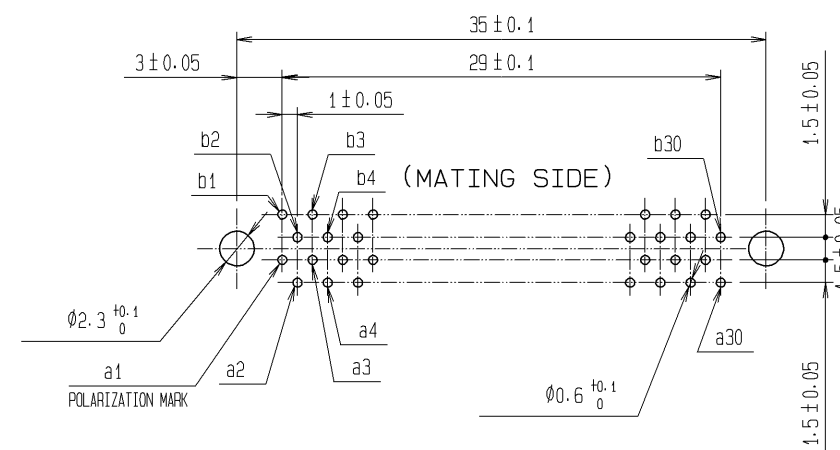


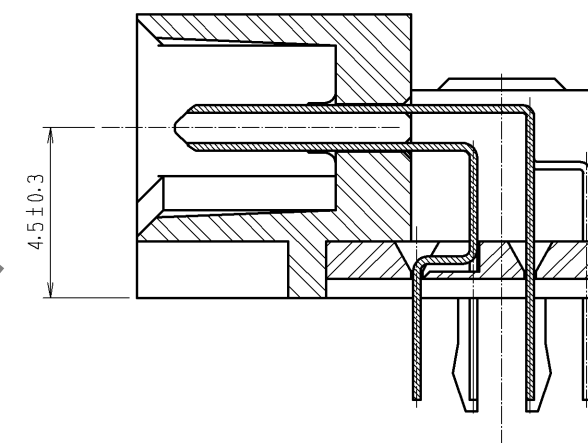
May.1.2023 Copyright 2023 HIROSE ELECTRIC CO., LTD. All Rights Reserved.
In case of consideration for using Automotive equipment / device which demand high reliability, kindly contact our sales window correspondents.



RECOMMENDED PC BOARD HOLE PATTERN (MOUNTING SIDE)
APPLICABLE BOARD THICKNESS: 1.6



AA(5:1)



NOTE. THE DIMENSIONS IN PARENTHESES ARE FOR REFERENCE.

4	PHOSPHOR BRONZE	TIN-PLATING 3µm min.	3	BRASS	CONTACT AREA: GOLD 0.1µm min.			
1, 2	POLYAMIDE	BLACK UL94V-0			LEAD AREA: TIN-PLATING 1.2µm min.			
					UNDER PLATING: NICKEL 1µm min.			
NO.	MATERIAL	FINISH	REMARKS	NO.	MATERIAL	FINISH	REMARKS	
UNITS	⊕	SCALE	COUNT	DESCRIPTION OF REVISIONS		DESIGNED	CHECKED	DATE
mm		2:1	△					
HRS HIROSE ELECTRIC CO., LTD.		APPROVED : HS. OKAWA	08.07.14	DRAWING NO.		EDC3-151778-21		
		CHECKED : HT. YAMAGUCHI	08.07.14	PART NO.		FX5-60P-DSL(71)		
		DESIGNED : SY. KAMIGA	08.07.11	CODE NO.		CL575-0200-3-71		
		DRAWN : HK. SUNADORI	08.06.19			△ 1/1		