

REVISIONS

P	LTR	DESCRIPTION	DATE	DWN	APVD
	A1	REVISED PER ECR-19-000980	24JAN2019	SR	JDB

- △ Material:
 COVER : LCP, black, UL-94-V0
 HEADER : Black WH-9100, UL-94-V0
 LEAD FRAME: C5191-HV170-190 °
 SOLDER PIN PLATING: 7 μm (275 μinch) TIN 1.27 μm (50 μinch) NICKEL OVER ALL
- 2 THE PART IS RECOMMENDED FOR REFLOW SOLDERING PROCESS PEAK
 SOLDERING: TEMPERATURE MAX. +260 °C/-5 °C, MAX. 30s
- 3 OPERATING TEMPERATURE: T= -40 °C TO +105 °C
- 4 STORAGE TEMPERATURE: T= -40 °C TO +85 °C
- 5 DC CURRENT/VOLTAGE RATING-PSE PINS: 720mA @57V(CONTINUOUS)
- 6 MEET IEEE 802.3at REQUIRMENT
- △ UNLESS OTHERWISE SPECIFIED, SEE TABLE FOR ALL DIMENSIONS TOLERANCES
- 8 PACKAGING: TUBE ACCORDING TO PACKAGING SPECIFICATION 107-18128

SUGGESTED PCB LAYOUT

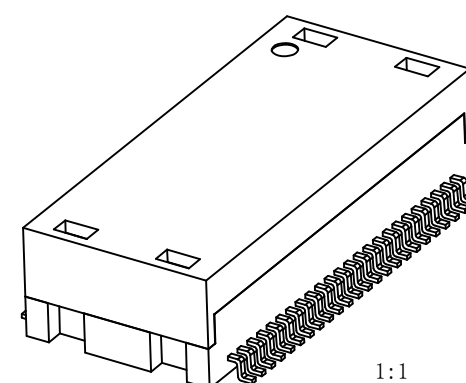
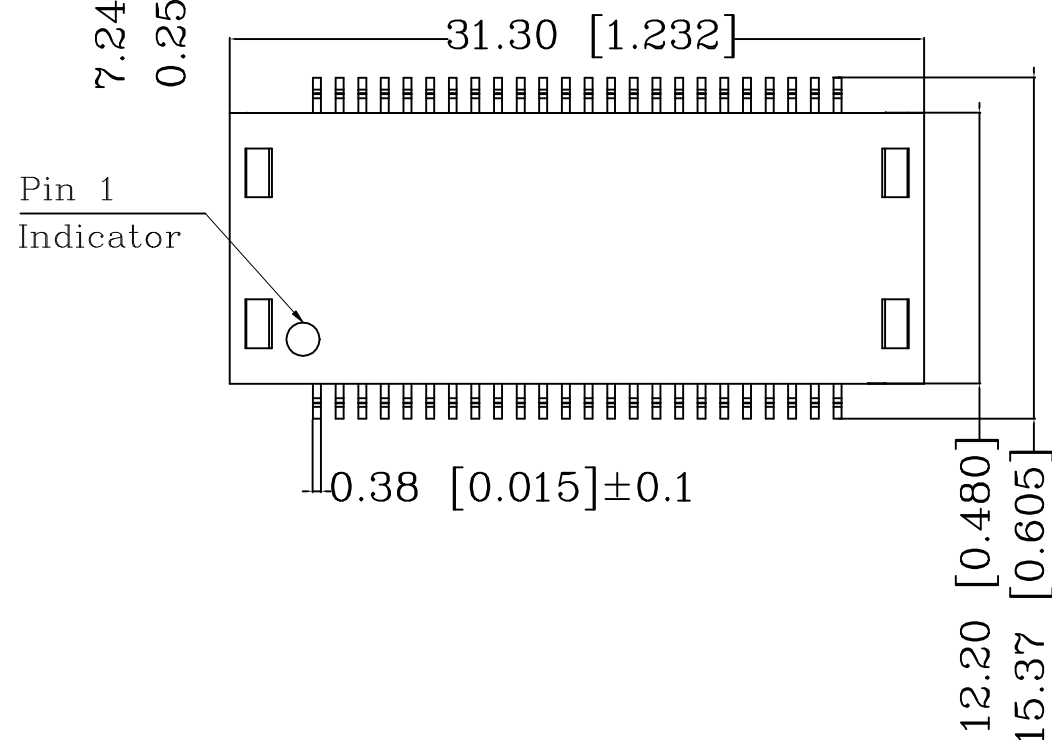
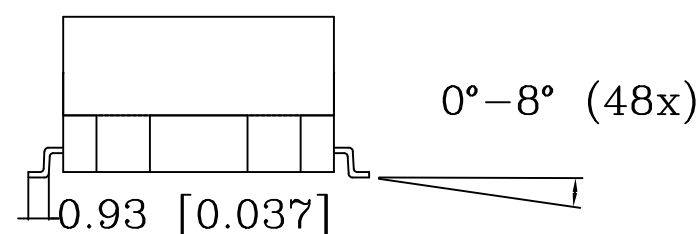
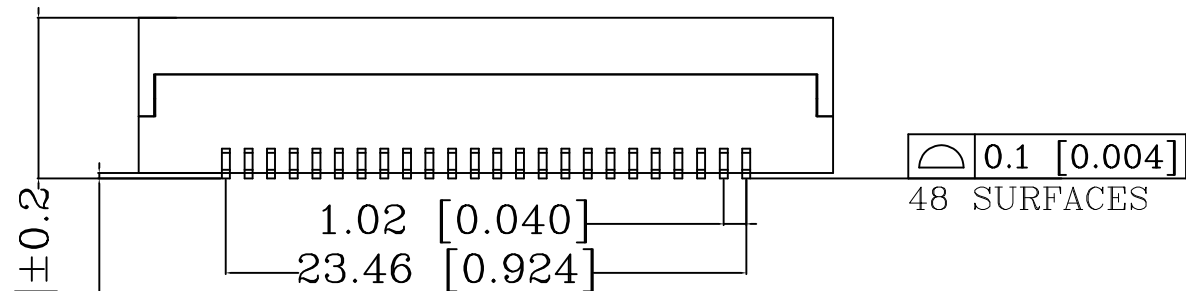
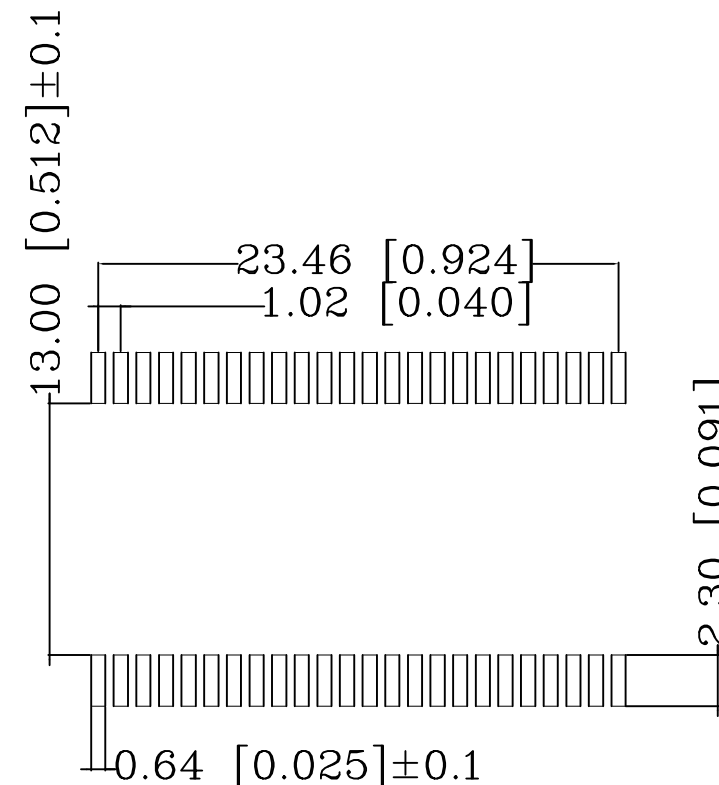


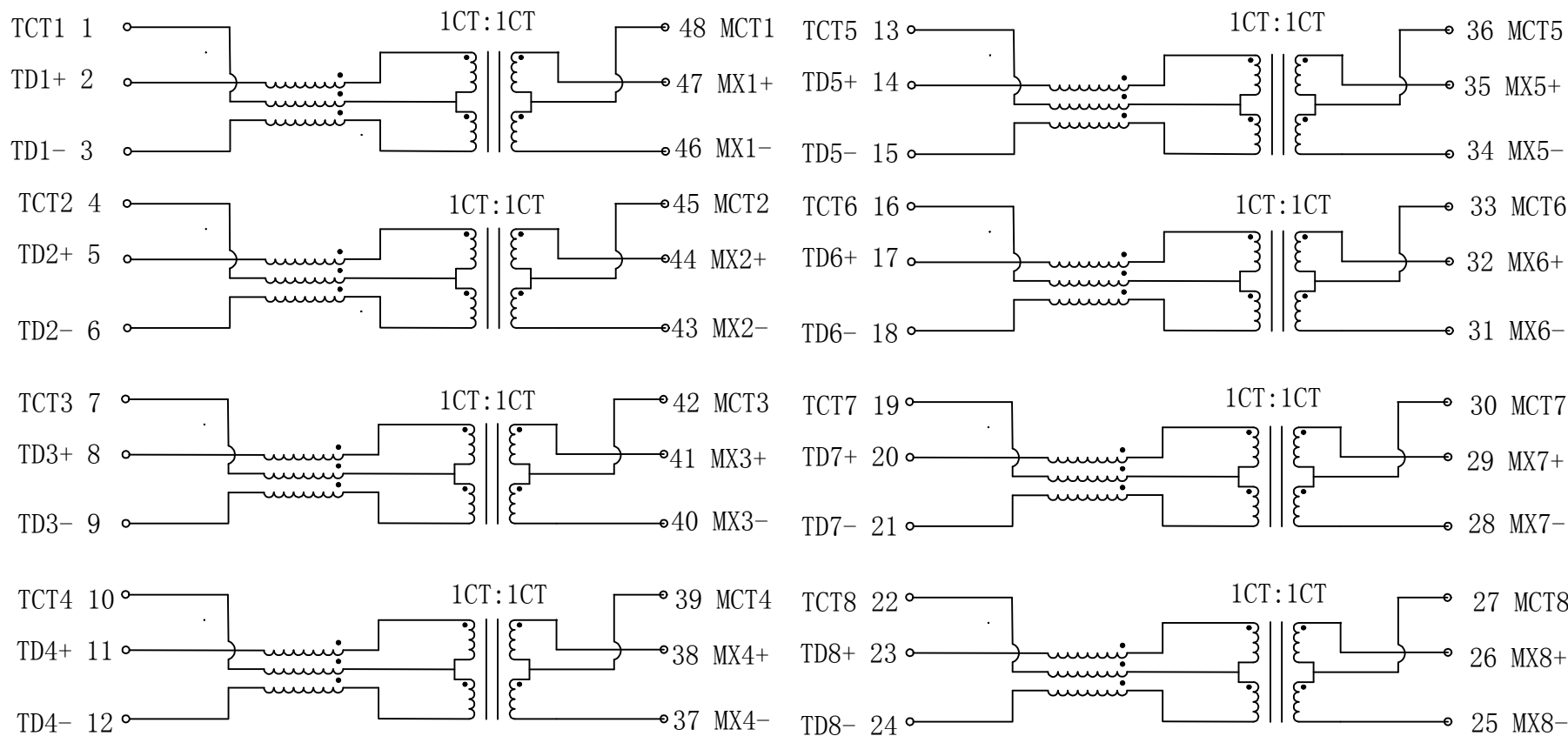
TABLE OF TOLERANCE (mm)	
RANGE	TOLERANCE
0-10	±0.15
>10-40	±0.25
>40-70	±0.30
>70	±0.40

THIS DRAWING IS A CONTROLLED DOCUMENT.		DWN	18JAN2019		TE Connectivity
		CHK	18JAN2019		
		APVD	18JAN2019		
		NAME			
DIMENSIONS: mm [INCHES]		A.C. NGOUMGANG			DISCR.ETH.MAG. POE 1G DUAL SMT
TOLERANCES UNLESS OTHERWISE SPECIFIED:		PRODUCT SPEC			
0 PLC ± - 1 PLC ± - 2 PLC ± - 3 PLC ± - 4 PLC ± - ANGLES ± -		108-94693			
MATERIAL		APPLICATION SPEC			SIZE
FINISH		114-94555			CAGE CODE
		WEIGHT			DRAWING NO
		CUSTOMER DRAWING			RESTRICTED TO
		SCALE			3:1
		SHEET			1 of 2
		REV			A1

REVISIONS

P	LTR	DESCRIPTION	DATE	DWN	APVD
-	-	SEE SHEET 1	-	-	-

CIRCUIT DIAGRAM



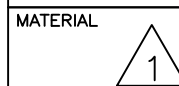
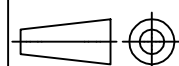
Electrical Specifications @ 25 °C (Unless other specified meet IEEE 802.3 Specification)		
Turn Ratio	1CT:1CT ±2%	
Inductance (OCL) @100kHz/0.1V with 8mA DC Bias	350 µH min.	
Insertion Loss	0.1-100MHz	-1 dB max.
	1-30MHz	-18 dB min.
Return Loss (Zout = 100 OHMS)	40MHz	-14.4 dB min.
	50MHz	-13.1 dB min.
	80MHz	-12 dB min.
	100MHz	-10 dB min.
Crosstalk	30MHz	-40 dB min.
	60MHz	-35 dB min.
	100MHz	-30 dB min.
DCMR	30MHz	-40 dB min.
	60MHz	-35 dB min.
	100MHz	-30 dB min.
Isolation Voltage (Input - Output)	1500 Vrms	



CONTROL CODE
DATE CODE
"0213"
YY-YEAR
WW-WEEK

THIS DRAWING IS A CONTROLLED DOCUMENT.

DIMENSIONS:
mm [INCHES]



TOLERANCES UNLESS OTHERWISE SPECIFIED:

0 PLC	± -	7
1 PLC	± -	
2 PLC	± -	
3 PLC	± -	
4 PLC	± -	
ANGLES	± -	
FINISH	1	

DWN 18JAN2019

CHK GANESH C M 18JAN2019

APVD A.C. NGOUMGANG 18JAN2019

J. DE BRUIJN

PRODUCT SPEC

108-94693

APPLICATION SPEC

114-94555

WEIGHT

CUSTOMER DRAWING

STE TE Connectivity
NAME DISCR.ETH.MAG. POE 1G DUAL SMT

SIZE A3 CAGE CODE 00779 DRAWING NO. 5-2337824-4 RESTRICTED TO -

SCALE 3:1 SHEET 2 OF 2 REV A1