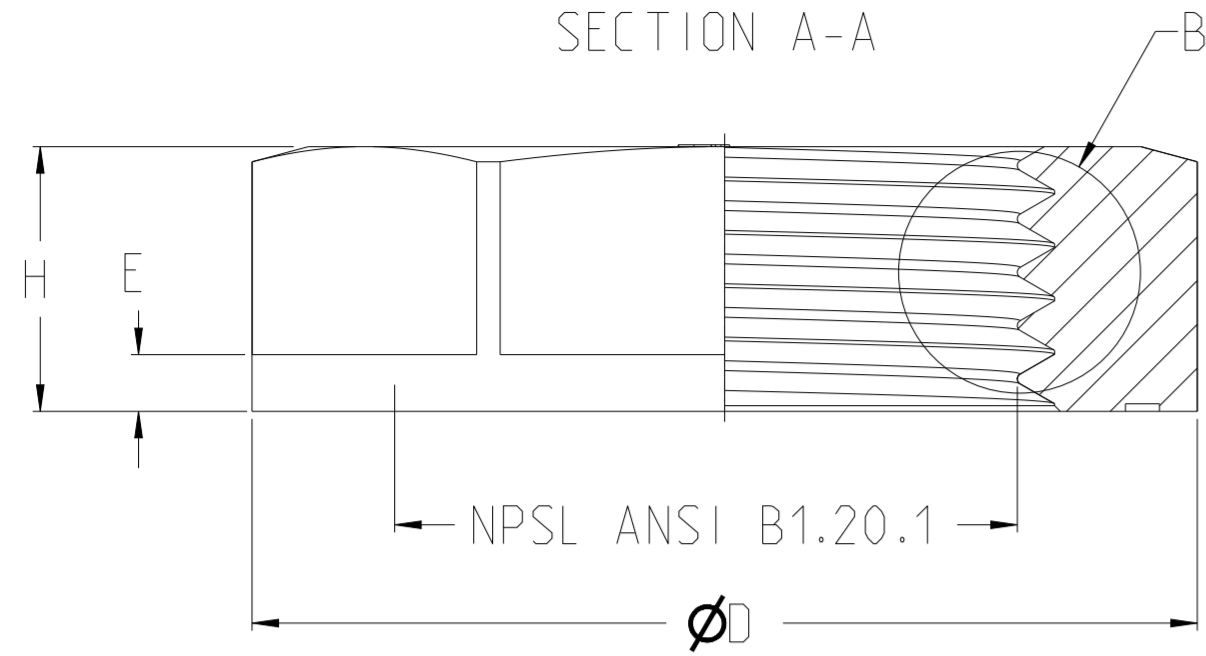
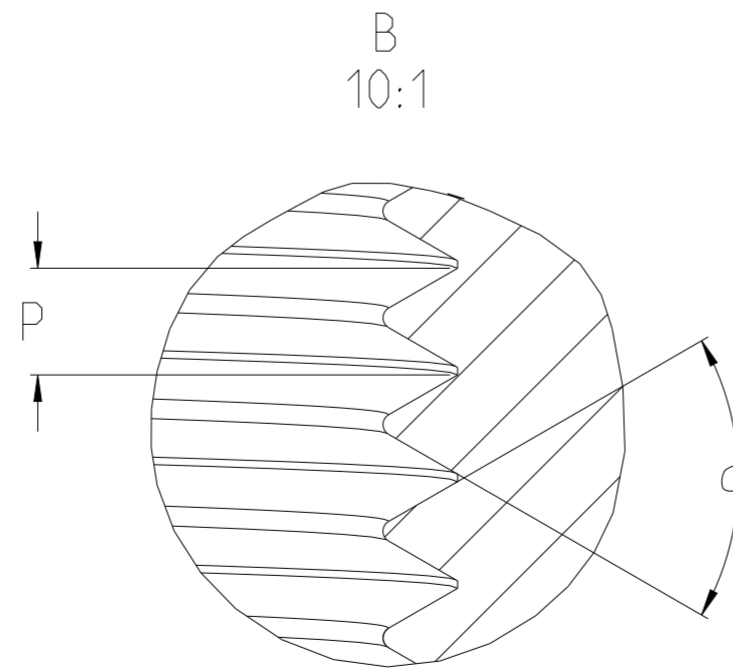
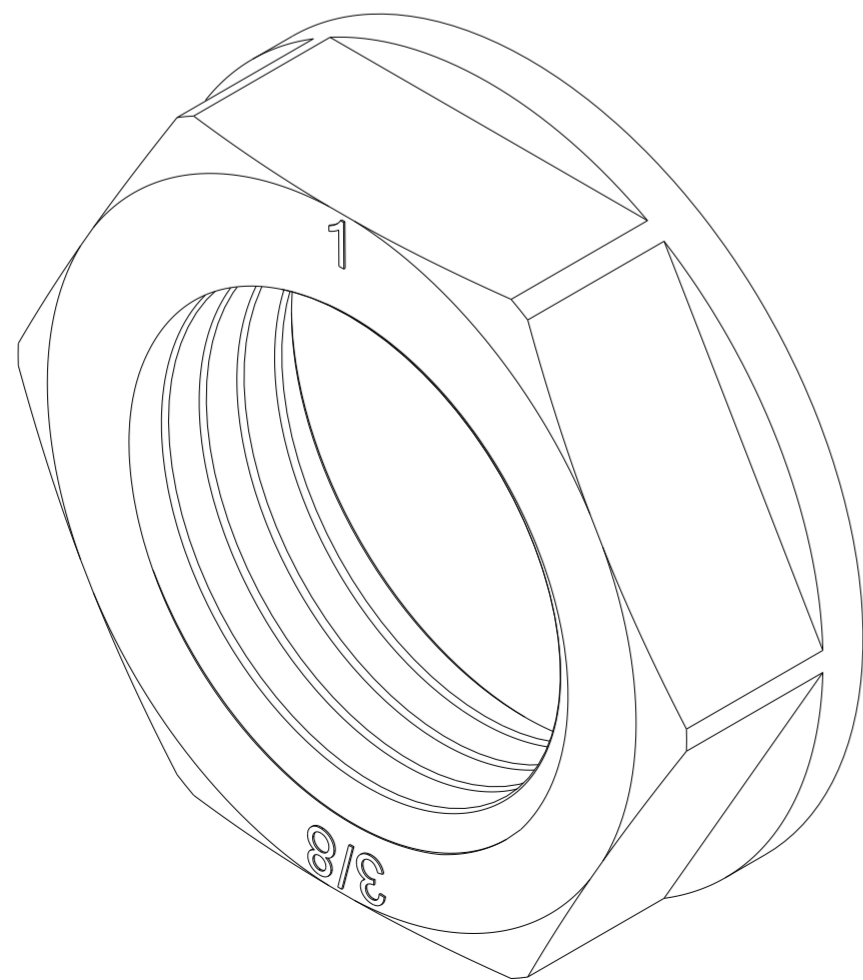
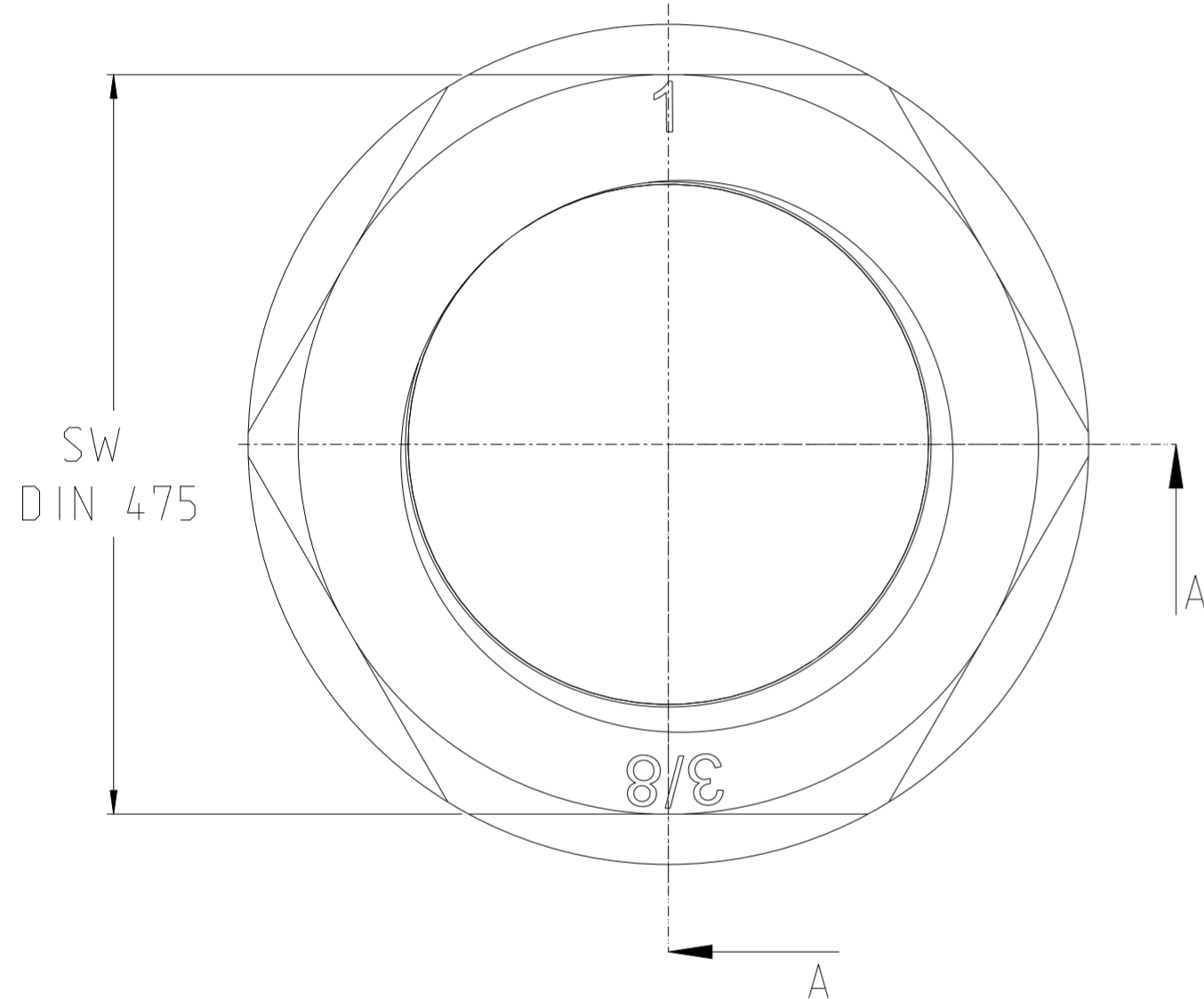


P	LTR	DESCRIPTION	DATE	DWN	APVD
A		INITIAL REVISION	11FEB2022	GN	RM

SECTION A-A



TCPN	TE Product Type (Entelec)	RAL NUMBER	COLOR	SIZE	H	ØD	E	SW DIN475	NPLS ANSI B1.20.1			P	α
									MAJOR DIA Ø	MINOR DIA Ø			
										Min.	Max.		
1SNG607028R0000	EP-LN-NPT38-LGR-A	7035	L.Grey	NPT 3/8"	7.0	25.0	1.5	22	17.454	15.417	15.544	1.411	60°
1SNG607029R0000	EP-LN-NPT38-GR-A	7001	Grey	NPT 3/8"	7.0	25.0	1.5	22	17.454	15.417	15.544	1.411	60°
1SNG607030R0000	EP-LN-NPT38-BL-A	9005	Black	NPT 3/8"	7.0	25.0	1.5	22	17.454	15.417	15.544	1.411	60°
1SNG607031R0000	EP-LN-NPT12-LGR-A	7035	L.Grey	NPT 1/2"	7.0	30.5	1.5	27	21.742	19.126	19.278	1.814	60°
1SNG607032R0000	EP-LN-NPT12-GR-A	7001	Grey	NPT 1/2"	7.0	30.5	1.5	27	21.742	19.126	19.278	1.814	60°
1SNG607033R0000	EP-LN-NPT12-BL-A	9005	Black	NPT 1/2"	7.0	30.5	1.5	27	21.742	19.126	19.278	1.814	60°
1SNG607034R0000	EP-LN-NPT34-LGR-A	7035	L.Grey	NPT 3/4"	7.0	37.5	1.5	33	27.071	24.485	24.638	1.814	60°
1SNG607035R0000	EP-LN-NPT34-GR-A	7001	Grey	NPT 3/4"	7.0	37.5	1.5	33	27.071	24.485	24.638	1.814	60°
1SNG607036R0000	EP-LN-NPT34-BL-A	9005	Black	NPT 3/4"	7.0	37.5	1.5	33	27.071	24.485	24.638	1.814	60°
1SNG607037R0000	EP-LN-NPT1-LGR-A	7035	L.Grey	NPT 1"	7.0	46.2	1.5	41	33.954	30.683	30.759	2.208	60°
1SNG607038R0000	EP-LN-NPT1-GR-A	7001	Grey	NPT 1"	7.0	46.2	1.5	41	33.954	30.683	30.759	2.208	60°
1SNG607039R0000	EP-LN-NPT1-BL-A	9005	Black	NPT 1"	7.0	46.2	1.5	41	33.954	30.683	30.759	2.208	60°



THIS DRAWING IS A CONTROLLED DOCUMENT.		DWN Girish 11FEB2022		
DIMENSIONS: mm		CHK Rajan n. Kasi 11FEB2022		
TOLERANCES UNLESS OTHERWISE SPECIFIED:		APVD Rafeeq. Mohd 11FEB2022	NAME NPT-LOCK-NUT-PA	
0 PLC ±		PRODUCT SPEC NPT-LOCK-NUT-PA		
1 PLC ±1		APPLICATION SPEC		
2 PLC ±1		SIZE A2		
3 PLC ±1		CAGE CODE 100779		
4 PLC ±1		DRAWING NO C-1SNP061319-0100		
ANGLES ±		RESTRICTED TO		
FINISH -		WEIGHT -		
-		CUSTOMER DRAWING		
		SCALE 5:1		SHEET 1 OF 1
		REV A1		