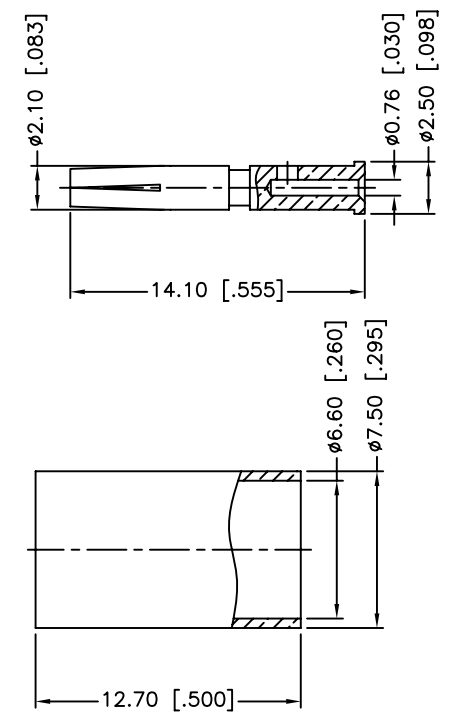
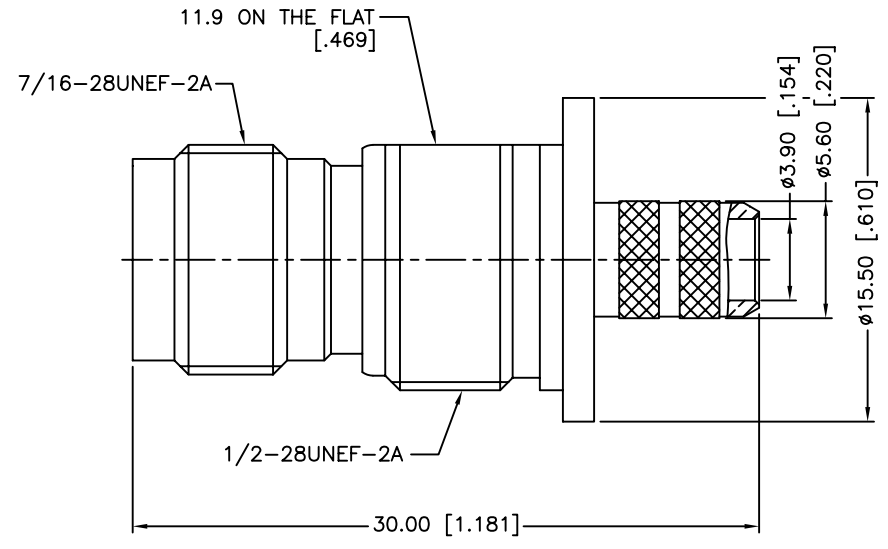
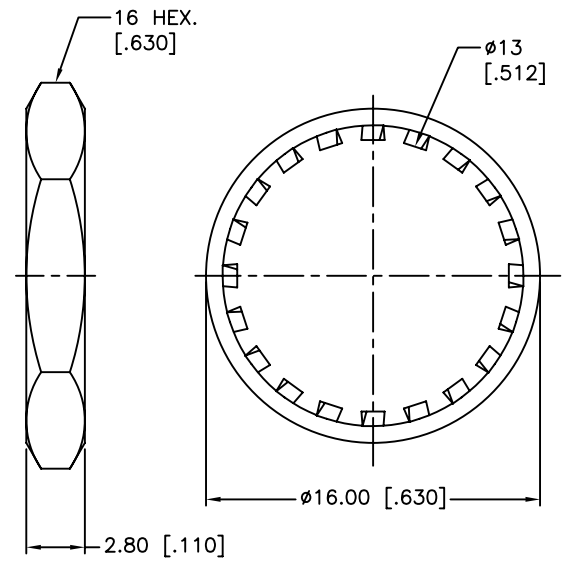
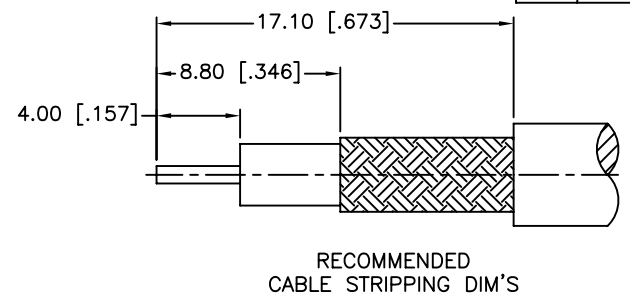
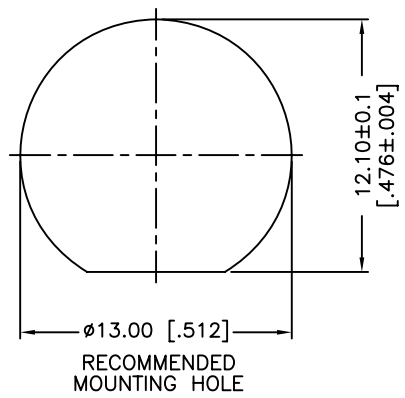


| REV. | DATE     | ECR NO. | DESCRIPTION     |
|------|----------|---------|-----------------|
| NC   | 06/12/06 | XXXXXX  | INITIAL RELEASE |
| A    | 05/07/13 | XXXXXX  | UPDATE FORMAT   |



1. IMPEDANCE: 75 OHM
2. FREQUENCY RANGE: DC-1 GHZ
3. DIELECTRIC WITHSTANDING VOLTAGE: 1500 VRMS, MIN.
4. DURABILITY: 500 CYCLES MIN.
5. TEMPERATURE RANGE: -40°C TO +85°C
6. CRIMPED FERRULE  
HEX. CRIMP SIZE .255"
7. CRIMPED CONTACT PIN  
HEX. CRIMP SIZE .068"
8. MAX. PANEL THICKNESS=4 MM

| DESCRIPTION   | MATERIAL        | FINISH  | QTY |
|---------------|-----------------|---------|-----|
| 9 FERRULE     | BRASS           | NICKEL  | 1   |
| 8 CONTACT PIN | PHOSPHOR BRONZE | GOLD    | 1   |
| 7 HEX NUT     | BRASS           | NICKEL  | 1   |
| 6 LOCK WASHER | BRASS           | NICKEL  | 1   |
| 5 BARREL      | BRASS           | NICKEL  | 1   |
| 4 INSULATOR   | DELIRIN         | NATURAL | 1   |
| 3 INSULATOR   | PTFE            | NATURAL | 1   |
| 2 BODY        | BRASS           | NICKEL  | 1   |
| 1 HOUSING     | BRASS           | NICKEL  | 1   |

UNLESS OTHERWISE SPECIFIED DIMENSIONS ARE IN MILLIMETERS. DIMENSIONS IN [ ] ARE IN INCHES AND FOR CUSTOMER REFERENCE ONLY.  
 UNLESS OTHERWISE SPECIFIED  
 TOLERANCES FOR MILLIMETERS ARE:  
 <0.5 ± 0.05mm  
 0.5 - 6mm ± 0.10mm  
 6 - 30mm ± 0.20mm  
 30 - 120mm ± 0.30mm  
 ANGLES ± 1°  
 UNLESS OTHERWISE SPECIFIED  
 TOLERANCES FOR INCHES ARE:  
 <.020 ± 0.002"  
 .020 - .236 ± 0.004"  
 .236 - 1.180 ± 0.007"  
 1.180 - 4.724 ± 0.012"  
 ANGLES ± 1°  
 DO NOT SCALE DRAWING

| APPROVALS     | DATE                 |
|---------------|----------------------|
| DRAWN M.ZHANG | 05/07/13             |
| CHECKED       |                      |
| ISSUED        |                      |
| SHEET 1 OF 1  |                      |
| CAD FILE      | C:/CONNEX/122205.DWG |

**Amphenol Connex**

**TNC BULKHEAD CRIMP JACK ISOLATED GROUND  
(FOR RG-59/U CABLE)**

PART NO. **122205**

DWG. NO. 122205.DWG    REV. A    SIZE A    SCALE NA