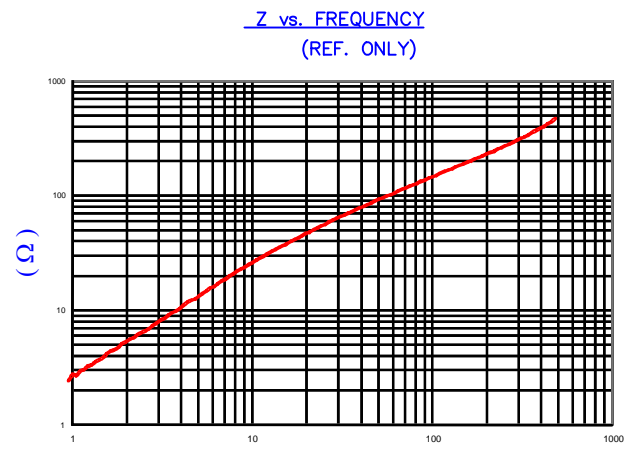
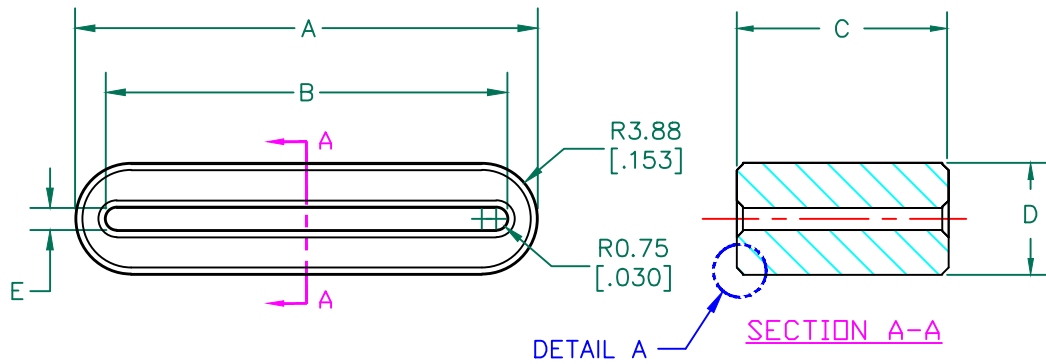
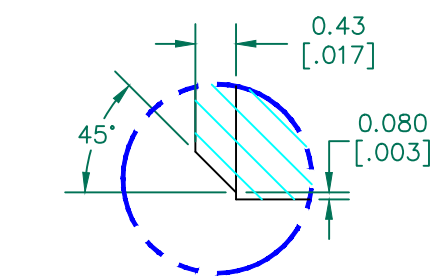


IMPEDANCE ( Z )			
Frequency	25 MHz	100 MHz	300 MHz
Nominal (REF)	46 Ω	129 Ω	312 Ω
Minimum	- Ω	103 Ω	- Ω



AGILENT E4991A Impedance/Material Analyzer  
HP 16092A Test Fixture, REF # 2991



DETAIL A  
SCALE 6:1

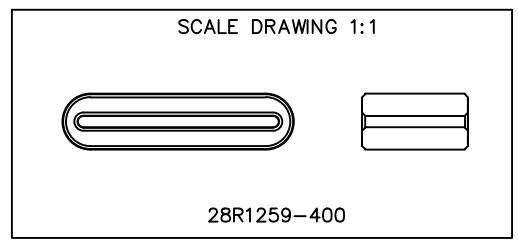
FERRITE CORE DIMENSIONS (SPEC):mm[Inches]

A	32.00 [1.260]	+	0.50 [.020]
B	27.80 [1.094]	+	0.50 [.020]
C	14.66 [.577]	+	0.40 [.016]
D	7.75 [.305]	+	0.50 [.020]
E	1.30 [.051]		Min.

WEIGHT/1000 13.88 kgs [30.60 Lbs]

NOTES: UNLESS OTHERWISE SPECIFIED

1. COSMETIC SPECIFICATION REFER TO WI-QA-038.



DIMENSIONS ARE IN mm[INCHES].				This print is the property of Laird Tech. and is loaned in confidence subject to return upon request and with the understanding that no copies shall be made without the written consent of Laird Tech. All rights to design or invention are reserved.		Laird	
PROJECT/PART NUMBER:				REV	PART TYPE:	DRAWN BY:	
28R1259-400				B	FERRITE RIBBON CORE	Jcai	
B	UPDATE LOGO	08/29/16	QIU	DATE:	06/05/12	SCALE:	2 : 1
A	ORIGINAL DRAFT	06/05/12	Jcai	CAD #	28R1259-400-B	TOOL #	R1259
REV	DESCRIPTION	DATE	INT	MATERIAL: FERRITE			