

# A311

## 6MP Mini Bullet with D/N, IR, Extreme WDR, SLLS, Fixed Lens



- 6 Megapixel
- Day & Night with Superior Low Light Sensitivity and IR LED
- Fixed Lens with f2.8mm/F2.0
- Extreme WDR
- H.265 Compression
- Wide Angle
- Event trigger, response and notification

### ► Specifications

#### Device

Product Type	Mini Bullet
Maximum Resolution	6MP
Application Environment	Outdoor
Image Sensor	Progressive Scan CMOS
Sensor Size	1/2.7 "
Day / Night	Yes
Low Light Sensitivity	Superior
Minimum Illumination	Color: 0.01 lux; B/W: 0 lux (IR LED on)
Color to B/W Switch	ISP based switch, configurable
Mechanical IR Cut Filter	Yes
IR LED	IR LED x 2 (850 nm)
IR Working Distance	65m (1.0 lux)
Electronic Shutter	1/30-1/100000 second (auto mode)
S/N Ratio	52 dB

<b>Lens</b>	
Focal Length	Fixed focal, f2.8mm
Aperture	F2.0
Iris	Fixed iris
Focus	Fixed focus
Lens Mount	Board mount
Horizontal Viewing Angle	97°
Vertical Viewing Angle	63°

<b>Video</b>	
Compression	H.265, H.264 (Main/ High profile), MJPEG
Maximum Frame Rate vs. Resolution	20 fps at 3072 x 2048 20 fps at 2592 x 1944 25 fps at 2688 x 1520 30 fps at 2560 x 1440 30 fps at 1920 x 1080 30 fps at 1280 x 960 30 fps at 1280 x 720 30 fps at 640 x 480
Multi-Streaming	Simultaneous quad streams
Bit Rate	128Kbps - 12Mbps (per stream)
Bit Rate Mode	Constant, Variable
Wide Dynamic Range	Extreme WDR (150 dB)
Image Enhancement	White Balance, Backlight compensation (BLC), Brightness, Contrast, Sharpness, Automatic gain control
Digital Noise Reduction	2D + 3D DNR
Privacy Mask	4 configurable regions
Text Overlay	Yes
Built-in Analytics	Tampering Detection, Face Detection, Object Line Crossing Detection, Object Enter Area Detection
Server-based Analytics	Object Line Counting, People Counting, Face Detection, Object Based Motion Detection, Tamper, Object Line Crossing Detection, Object Enter Area Detection, Missing Object Detection, Unattended Object Detection, Smoke Detection, Heat Map, Dwell Time, Direction Detection, Automatic License Plate Recognition, People Queue Detection, (Require PC-based or standalone IVS or ALPR Server. Contact ACTi support for recommendations on how to maximize analytical accuracy)
Image Orientation	Flip, Mirror, Rotation (Corridor mode)

<b>Network</b>	
Network Protocol & Service	IPv4/v6, TCP, UDP, DHCP, PPPoE, HTTP, HTTPS, DNS, DDNS, NTP, RTP, RTSP, RTCP, SMTP, FTP, SFTP, IGMP, ICMP, Bonjour, UPnP, QoS, SNMP, IEEE 802.1X
Ethernet Port	1, Ethernet (10/100 Base-T), RJ-45 pigtail connector
Security	IP address filtering, HTTPS encryption, Password protected user level, Anonymous login, IEEE 802.1X network access control

<b>Event</b>	
Event Trigger	Video motion detection (10 included and excluded polygonal regions), Intelligent event detection, Video streams loss, System log buffer overrun, Remove system log, Logon events (Login Failure, Login Success, Block an Account)

## Event Response

Notify control center, Change camera settings, Command other devices, E-mail notification with snapshots, Push notification to mobile device, Save video to local storage, Upload video to NVR server, Upload video or snapshot to FTP server

**System**

## System Log

Support

## Watchdog

Support

**Integration**

## Unified Solution

Fully compatible with ACTi software

## GPS Position

Manual setting

## Edge Recording

Support (integration with NVR by ONVIF Profile G or proprietary protocol)\*\*

## ONVIF Compliant

Yes, Profile S, Profile G, Profile T

## GB28181 Compliant

Yes

## Web Browser

IE 11, Google Chrome\*, Microsoft Edge\*, Apple Safari\*

## Auto Firmware Upgrade

Yes

**Interface**

## Local Storage

MicroSD, MicroSDHC, MicroSDXC Memory Card Slot (card not included, up to 256GB, Kingston or Sandisk only)

## Operating Button

Reset Button

**General**

## Power Source

DC 12V, PoE Class 3 (IEEE802.3af)

## Power Consumption

6 W (DC), 7.5 W (PoE)

## Weight

474g (1.045lb)

## Dimensions

(W x H x D): 65.6mm x 65.6mm x 153.7mm (2.58" x 2.58" x 6.05")

## Environmental Casing

Weatherproof (IP68), Vandal proof metal casing (IK10)

## Bundled Accessories

Integrated bracket

## Operating Temperature

-30°C ~ 60°C (-22°F ~ 140°F)

## Operating Humidity

10% - 95% RH

## Approvals

CE Class B, FCC Class B, EAC, IP68, NEMA 4X, IK10 (metal casing)

## Real-time Clock (RTC)

Yes

## Warranty

3 Year(s). For extended warranty offering, see <http://www.acti.com/support/warranty>

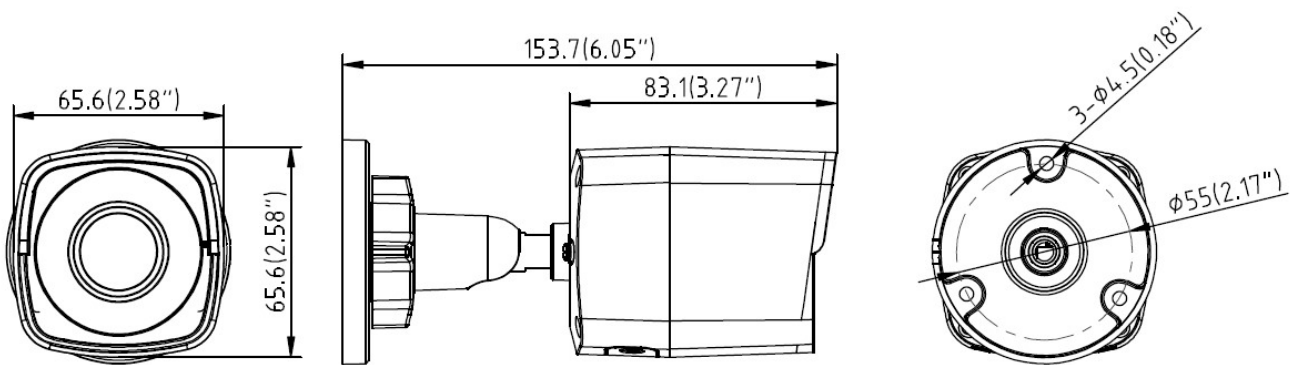
\* cross-browser compatibility: Not available for H.265 video decoding \*\* Edge Recording function is integrated with NVR 3 Corporate / NVR 3 Business / INR / GNR series.

### ▶ Photo Indication



- 1 Ethernet Port
- 2 DC 12V Power Input
- 3 Reset Button
- 4 Memory Card Slot


### ▶ Dimension Diagram



Unit: mm [inch]

## ▶ Related Products

### Bullet - Bullet

E33A		5MP Bullet with D/N, Adaptive IR, Basic WDR, Fixed lens, f4.2mm/F1.8 (HOV:62.7°), H.264, 1080p/30fps, DNR, MicroSDHC/MicroSDXC, PoE, IP68, IK10 (metal casing)
------	---	--

### Mounting Accessories - Camera Mount


PMAX-0533		Pole mount for A310, A311.
-----------	---	----------------------------

PMAX-0726		Junction box for A310, A311
-----------	---	-----------------------------

**Note:** Some mounting accessories may need additional accessories for installation. Please check [www.acti.com/mountingselector](http://www.acti.com/mountingselector) for more information.


### Power Supply Accessories - Power Adapter

PPBX-0012		Power Adapter AC 100~240V (US), for A3x, A4x, A88, A9x, Z31, Z8x, Z9x
-----------	---	---

PPBX-0013		Power Adapter AC 100~240V (EU), for A3x, A4x, A88, A9x, Z31, Z8x, Z9x
-----------	---	---

PPBX-0014		Power Adapter AC 100~240V (UK), for A3x, A4x, A88, A9x, Z31, Z8x, Z9x
-----------	---	---

### Power Supply Accessories - PoE Injector

PPOE-0002		PoE Injector IEEE 802.3af compliant, AC 100~240V, with universal connectors
-----------	---	---

### Other Accessories - Accessory Part

R709-00002		Packaging Box (for Z3X, A310, A311)
------------	---	-------------------------------------