

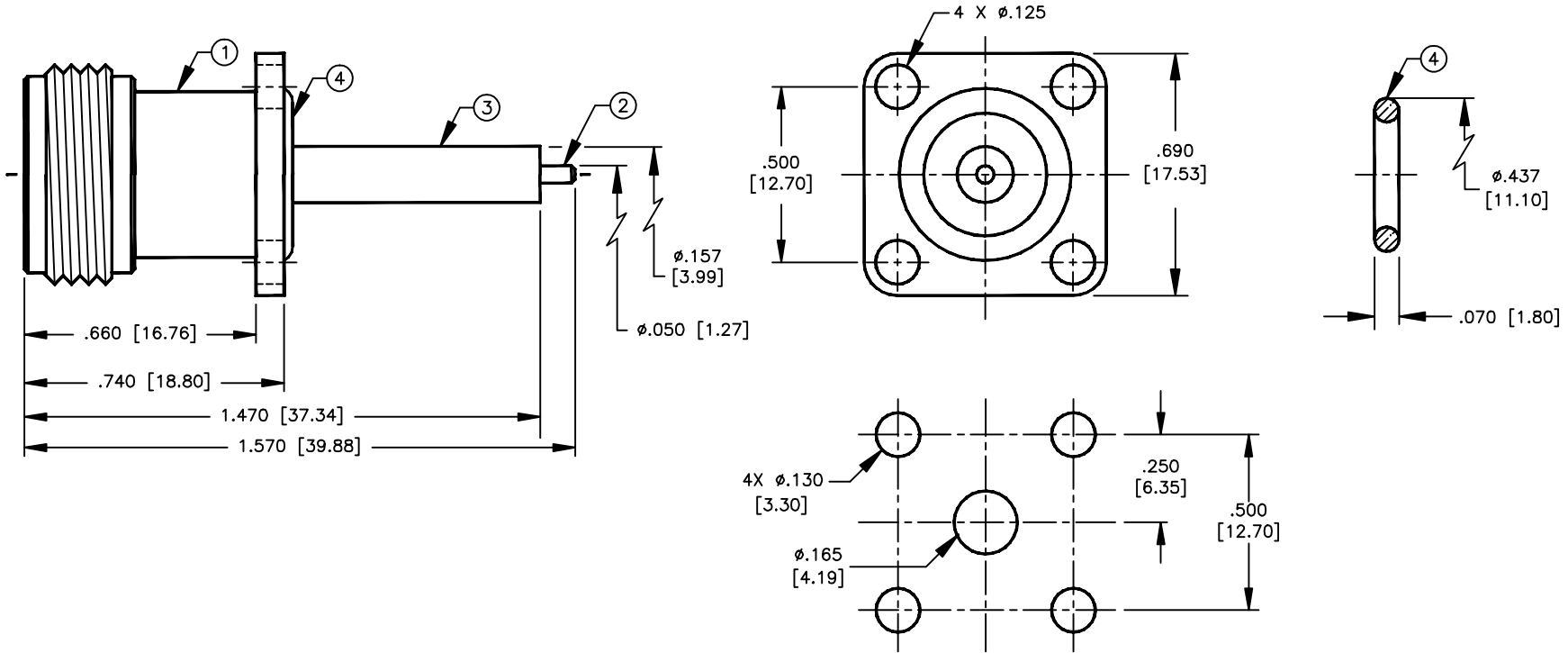
SPECIFICATION CONTROL DRAWING

THIS DRAWING CONTAINS INFORMATION PROPRIETARY TO RF INDUSTRIES, LTD. ANY UNAUTHORIZED USE OF THIS DRAWING IS EXPRESSLY PROHIBITED. ANY VIOLATION IS PUNISHABLE UNDER U.S. COPYRIGHT LAWS.

REV	DESCRIPTION	DWN	DATE	APPROVED
A	ENGINEERING RELEASE	KMM	11/14/94	R. RICE
B	CREATE ENVELOPE DRAWING	CZS	9/4/97	R. RICE

ALL DIMENSIONS REFERENCE ONLY

008974



SUGGESTED MOUNTING CONFIG

SPECIFICATIONS:

IMPEDANCE: 50 OHMS
 WORKING VOLTAGE: 1000 VRMS @ SEA LEVEL
 FREQUENCY RANGE: 0-11

ITEM	DESCRIPTION	QTY	MATERIAL	FINISH
4	O RING	1	S.I. RUBBER	RED
3	DIELECTRIC	1	PTFE	NONE
2	CONTACT	1	PHOS BRONZE	GOLD
1	BODY	1	BRASS	NICKEL

DIMENSIONS ARE IN INCHES AND [MILLIMETERS]

UNLESS OTHERWISE NOTED TOLERANCES ARE:

DECIMALS DIAMETER

DRAWN	C. ZUNIGA	9/4/97
CHECKED		
ORJ DRAWN	K. MAXWELL	11/14/94
APPROVALS		DATE

RF connectors
 DIVISION OF RF INDUSTRIES, LTD.

7610 MIRAMAR RD
 SAN DIEGO, CA 92126
 (619)549-6340
 (619)549-6345 FAX

RFN-1021-4

N FEMALE MINI 4 HOLE FLANGE MOUNT
 WITH .730 EXTENDED DIE AND O RING

SIZE	CABLE GROUP	DWG NO.	REV
A	N/A	RFN-1021-4	B
SCALE:	2:1	CAD FILE	13ARC B
			SHEET 1 OF 1