

BLE Gateway

Accelerates Your IoT Journey



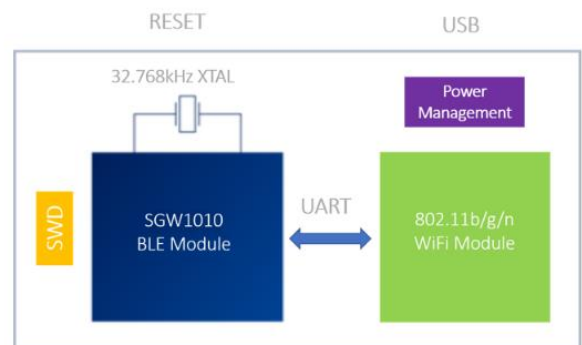
SGW6008 BLE Gateway

SGW6008 BLE Gateway

Robust, Ready-to-use, Ensure Safe Data Encryption

The SGW6008 is a Bluetooth Low Energy (BLE) to Wi-Fi connectivity gateway without using smartphones or apps. This robust gateway collects data from BLE sensors or devices, and sends to the local server or remote cloud server by HTTPS & MQTTS protocols with TLS1.2 standard over Wi-Fi. A connected solution for SGW8130 BLE sensor tag and SGW1010 BLE module, the SGW6008 enables hassle-free real time remote monitoring or asset tracking for IoT applications.

- SGW1010 BLE module
- Operating system: Amazon FreeRTOS
- 2.4GHz 802.11 b/g/n WiFi
- Protocol: TCP/HTTPS/MQTT/TLS1.2
- LED status indicators – Power, WiFi & BLE
- Power Input : 5V DC, micro-USB interface
- Dimension : 65mm x 65mm x 24.5mm



SGW6008 Block Diagram

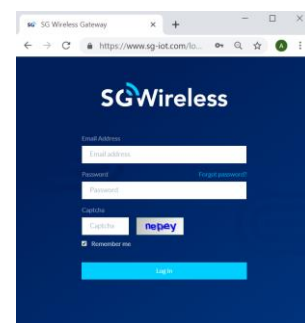
Applications



SGW BLE Sensor Tag



SGW6008



SGW IoT Platform

Benefits

- Pre-certified, accelerate time-to-market
- Reduce engineering efforts
- Reduce development costs
- Small size, low power
- Best-in-class security

Applications

Wide range of IoT applications:

- Smart devices for connected homes
- Smart city infrastructure
- Industrial smart lighting
- Industrial mesh networks
- Smart logistics & transportation

Ordering Information

Part No	Description
SGW6008	SGW6008 BLE Gateway

About Us

SG Wireless was launched in 2019 by Hong Kong-based Electronics Manufacturer (EMS) Season Group. SG Wireless is a full stack IoT provider aiming to assist customers in taking their IoT concepts to a finished product.

With our global manufacturing capabilities and the extensive wireless experience of our senior leadership team, we pride ourselves on being the only IoT provider offering design, development, manufacturing and everything in between. For more details: www.sgwireless.com

Contact

Email : sales@sgwireless.com

