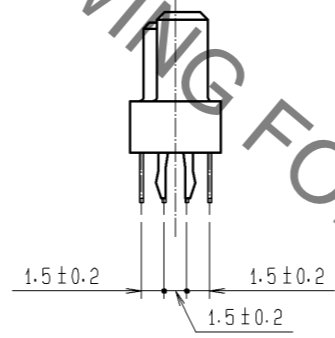
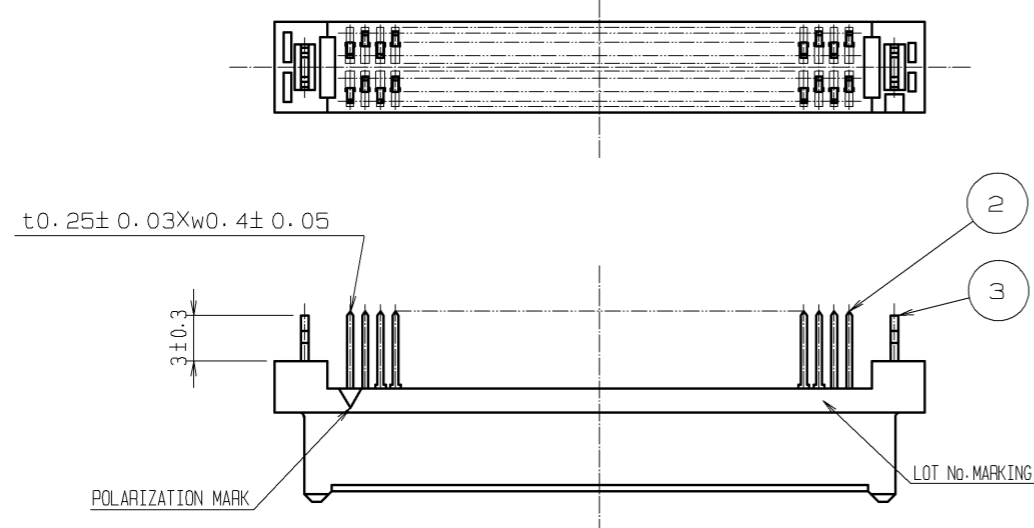
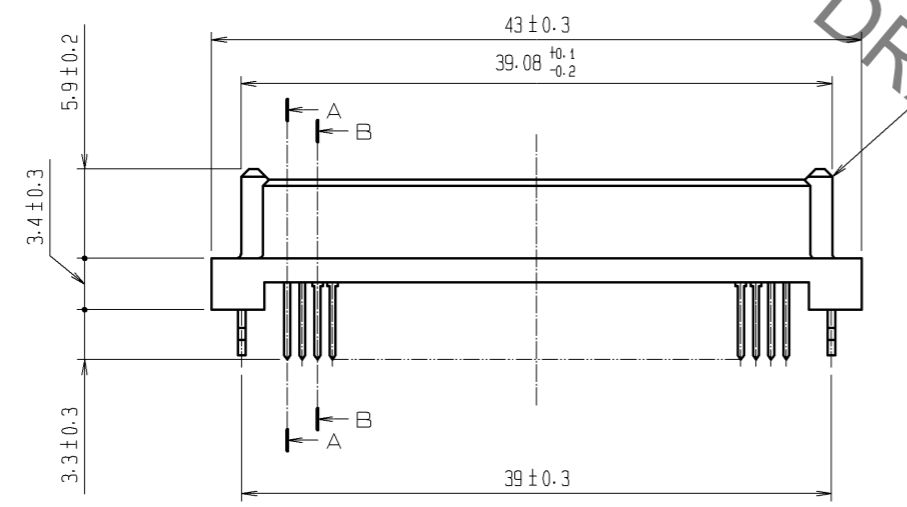
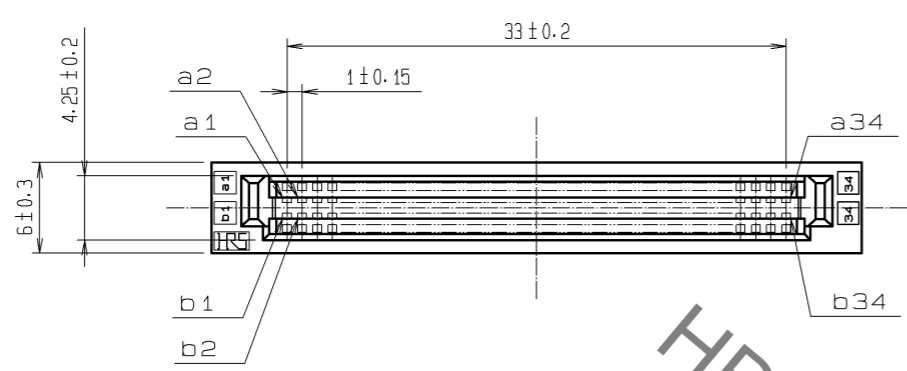
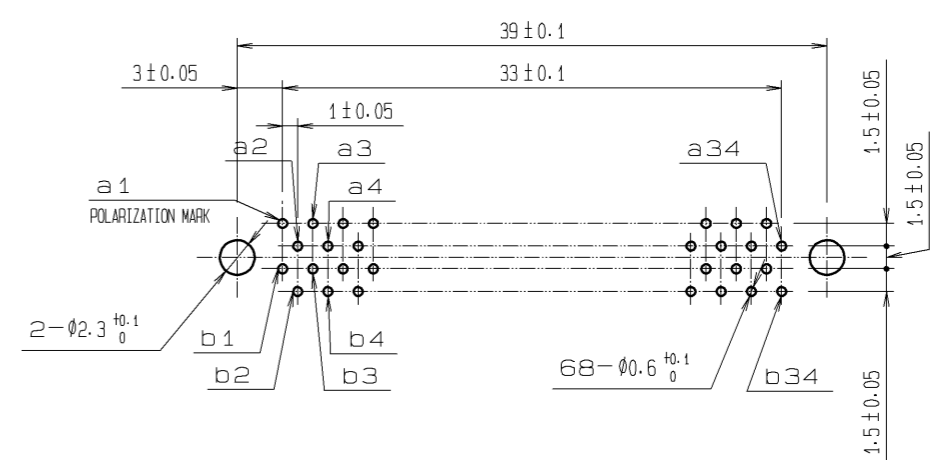


May.1.2023 Copyright 2023 HIROSE ELECTRIC CO., LTD. All Rights Reserved.
In case of consideration for using Automotive equipment / device which demand high reliability, kindly contact our sales window correspondents.



RECOMMENDED PC BOARD HOLE PATTERN (MOUNTING SIDE)
APPLICABLE BOARD THICKNESS: 1.6

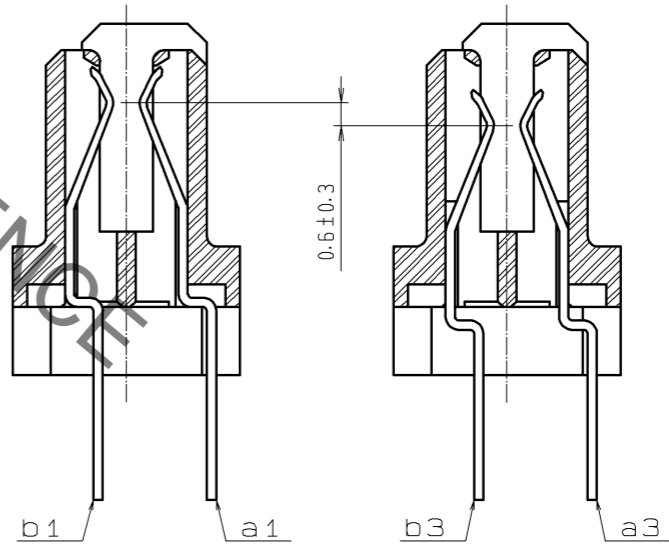


CONTACT SEQUENCE

SEQUENCE	PIN NO.
1	a 1, a 2, a 33, a 34 b 1, b 2, b 33, b 34
2	a 3~a 32 b 3~b 32

A-A (5:1)

B-B (5:1)



3	PHOSPHOR BRONZE	TIN-PLATING	2	PHOSPHOR BRONZE	CONTACT AREA : GOLD 0.1µm min.			
1	POLYAMIDE	BEIGE UL94V-0			LEAD AREA : TIN-PLATING 1.2µm min.			
					UNDER PLATING : NICKEL 1µm min.			
NO.	MATERIAL	FINISH	REMARKS	NO.	MATERIAL	FINISH	REMARKS	
UNITS	mm	SCALE	2:1	COUNT	DESCRIPTION OF REVISIONS	DESIGNED	CHECKED	DATE
HRS HIROSE ELECTRIC CO., LTD.		APPROVED	HS. OKAWA	08.07.14	DRAWING NO.	EDC3-151421-21		
		CHECED	HT. YAMAGUCHI	08.07.14	PART NO.	FX5-68S2A-DSAL(71)		
		DESIGNED	SY. KAMIGA	08.07.11	CODE NO.	CL575-0128-8-71		
		DRAWN	HK. SUNADORI	08.06.19				1/1

HRS DRAWING FOR REFERENCE