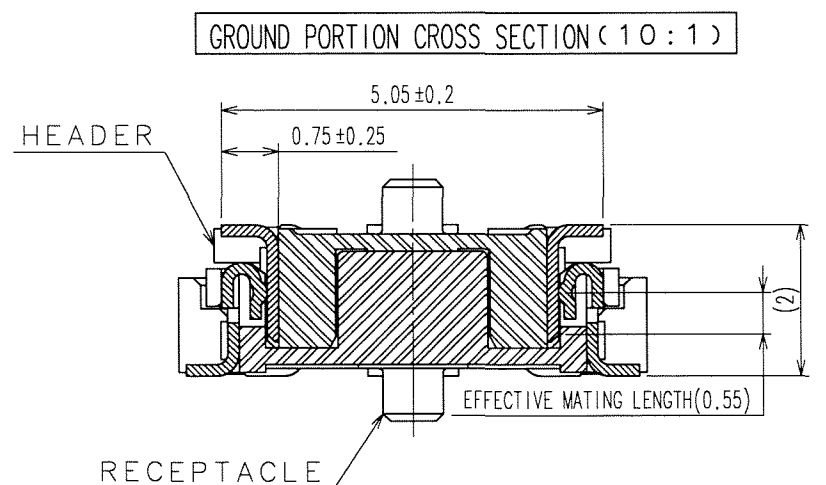
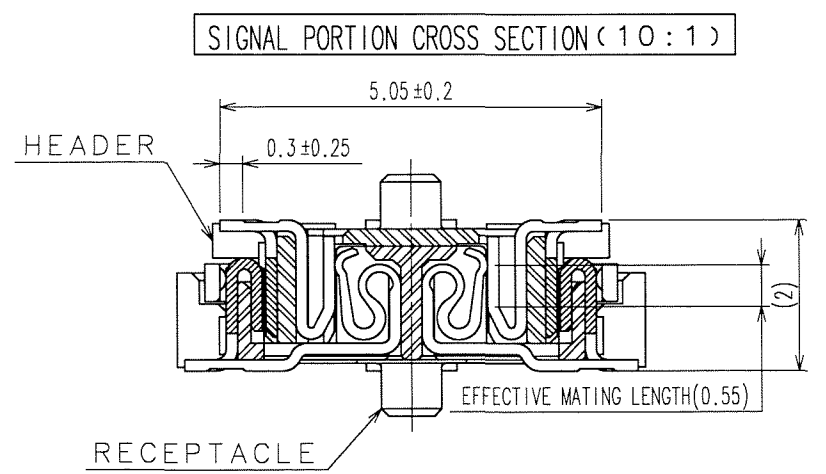
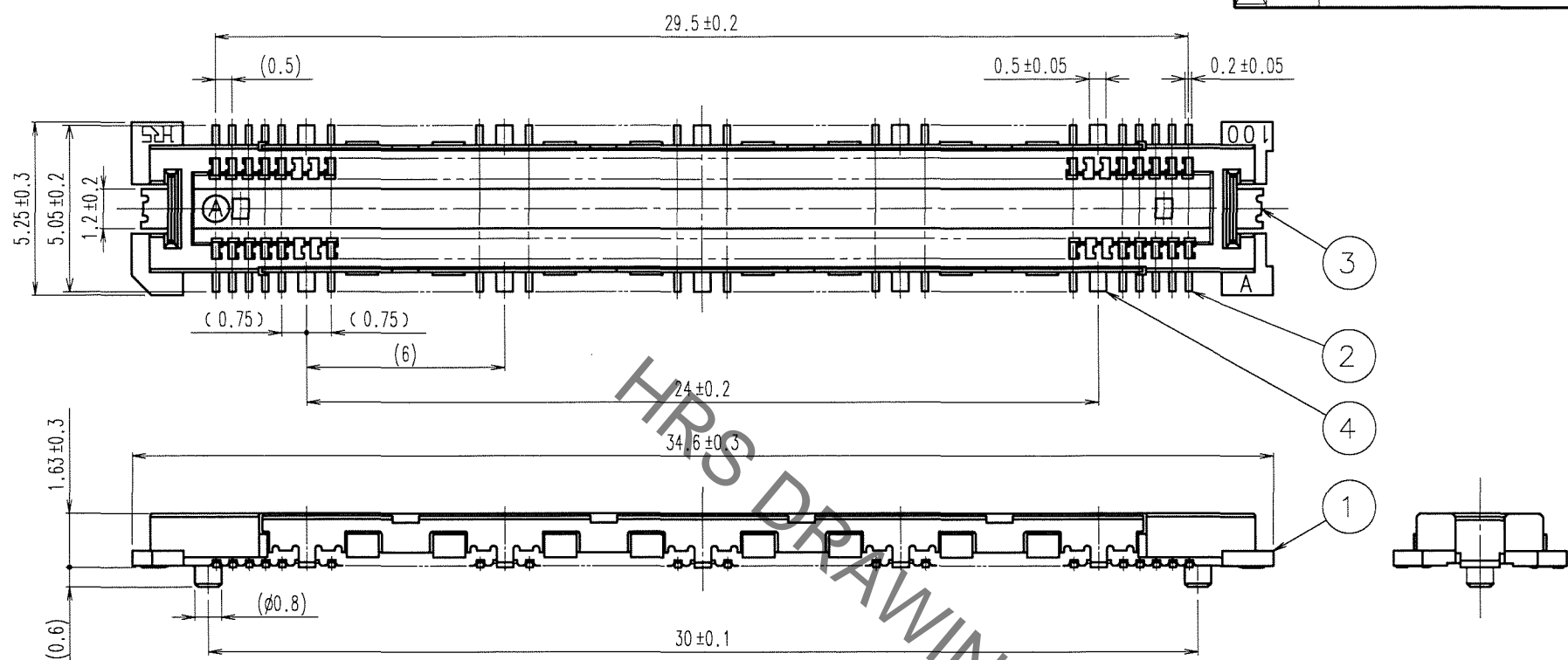
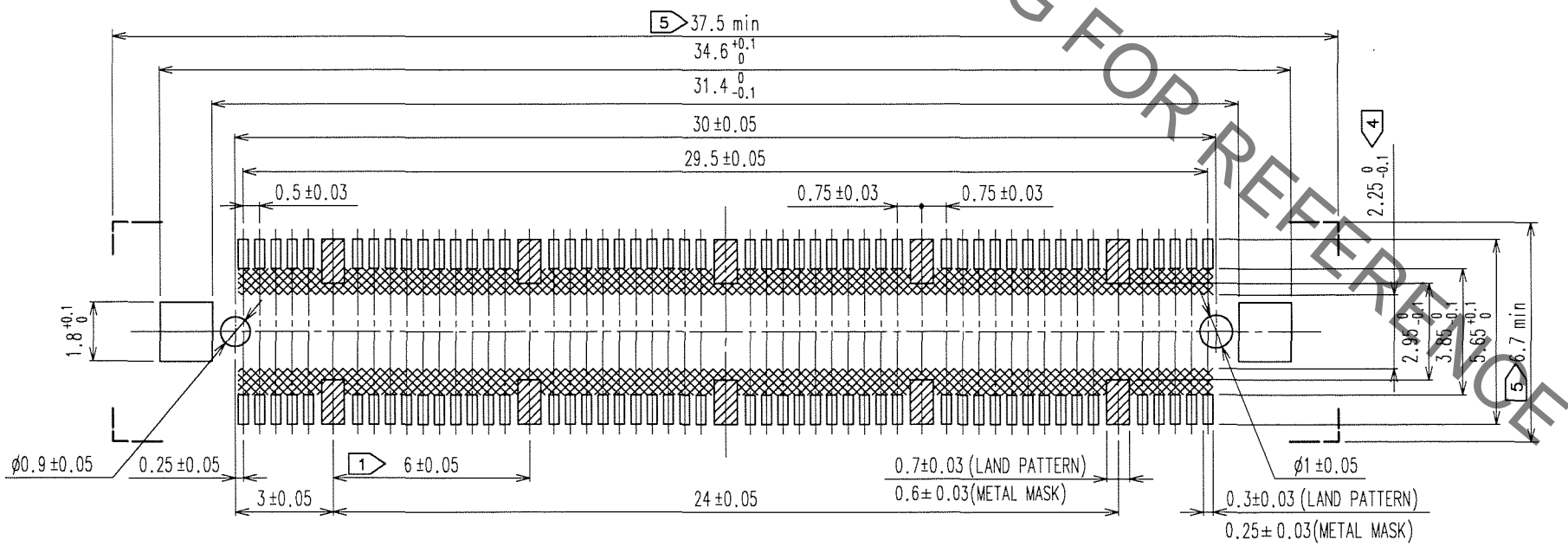


May.1.2023 Copyright 2023 HIROSE ELECTRIC CO., LTD. All Rights Reserved.  
In case of consideration for using Automotive equipment / device which demand high reliability, kindly contact our sales window correspondents.

COUNT	DESCRIPTION OF REVISIONS	BY	CHKD	DATE	COUNT	DESCRIPTION OF REVISIONS	BY	CHKD	DATE



RECOMMENDED LAND PATTERN DIMENSION OF PCB



- NOTES
- 1 10 HATCHED PARTS:GROUND CIRCUIT.
  - 2 SMT LEAD-COPLANARITY:0.1 MAX.
  - 3 THIS PRODUCT HAS NO POLARITY TO PATTERN FOR MOUNTING.
  - 4 MAKE SURE WIDTH OF PATTERN IS WITHIN THAT OF LAND ,OR LEAD MAY TOUCH PATTERN.(THIS APPLIES TO HATCHED AREA.)
  - 5 DO NOT MOUNT OTHER DEVICES ONTO AREA ,OR MATING PAIR CANNOT BE MATED.
  - 6 TO BE EMBOSSED CARRIER TAPED AS SPECIFIED IN SHEET 2.
  - 7 THE DIMENSIONS IN PARENTHESES ARE FOR REFERENCE.

4	PHOSPHOR BRONZE	TIN PLATING
3	PHOSPHOR BRONZE	TIN PLATING
2	COPPER ALLOY	CONTACT AREA : GOLD 0.1μm min.
		LEAD AREA : GOLD FLASH
		UNDER PLATING : NICKEL 1μm min.

NO.	MATERIAL	FINISH, REMARKS	NO.	MATERIAL	FINISH, REMARKS
1	LCP	BEIGE UL94V-0			

CODE NO.(COLD) CL	DRAWN S.KAMIGA	DESIGNED <i>H. Nakamura</i>	CHECKED <i>M. Ozawa</i>	APPROVED <i>H. Kawa</i>	RELEASED
	06.09.25	06.09.25	06.09.26	06.09.26	

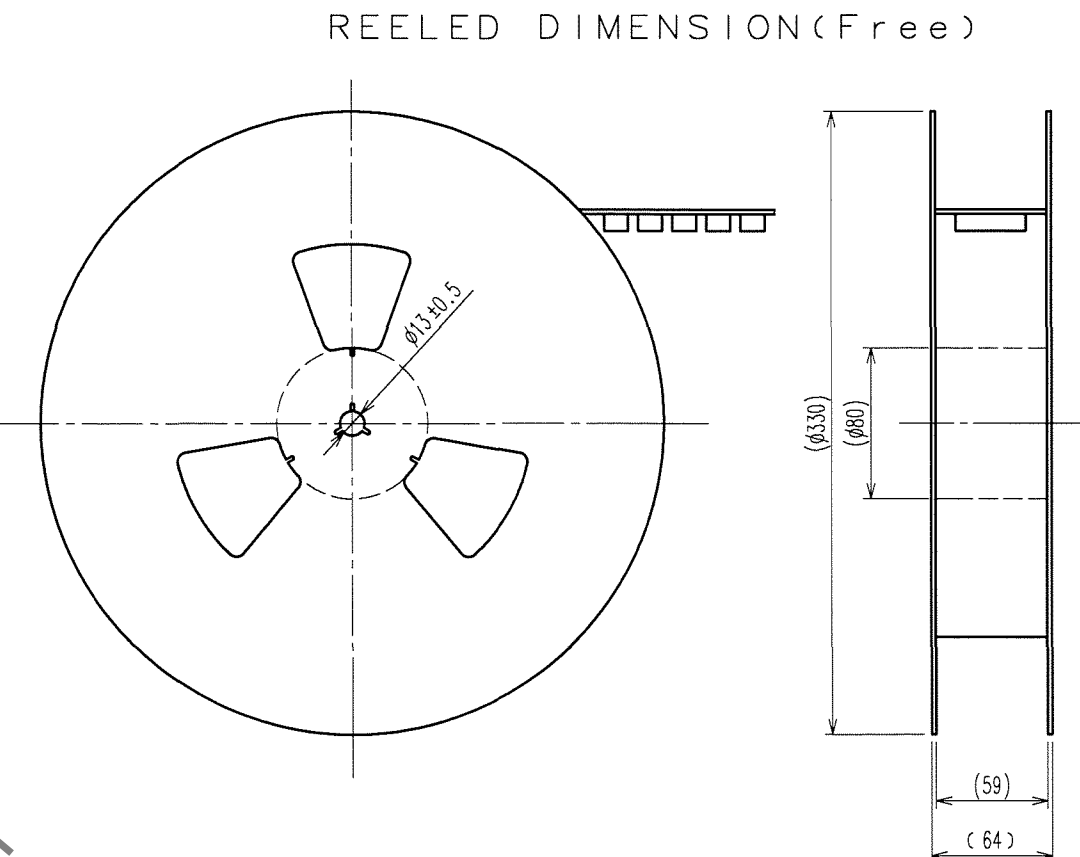
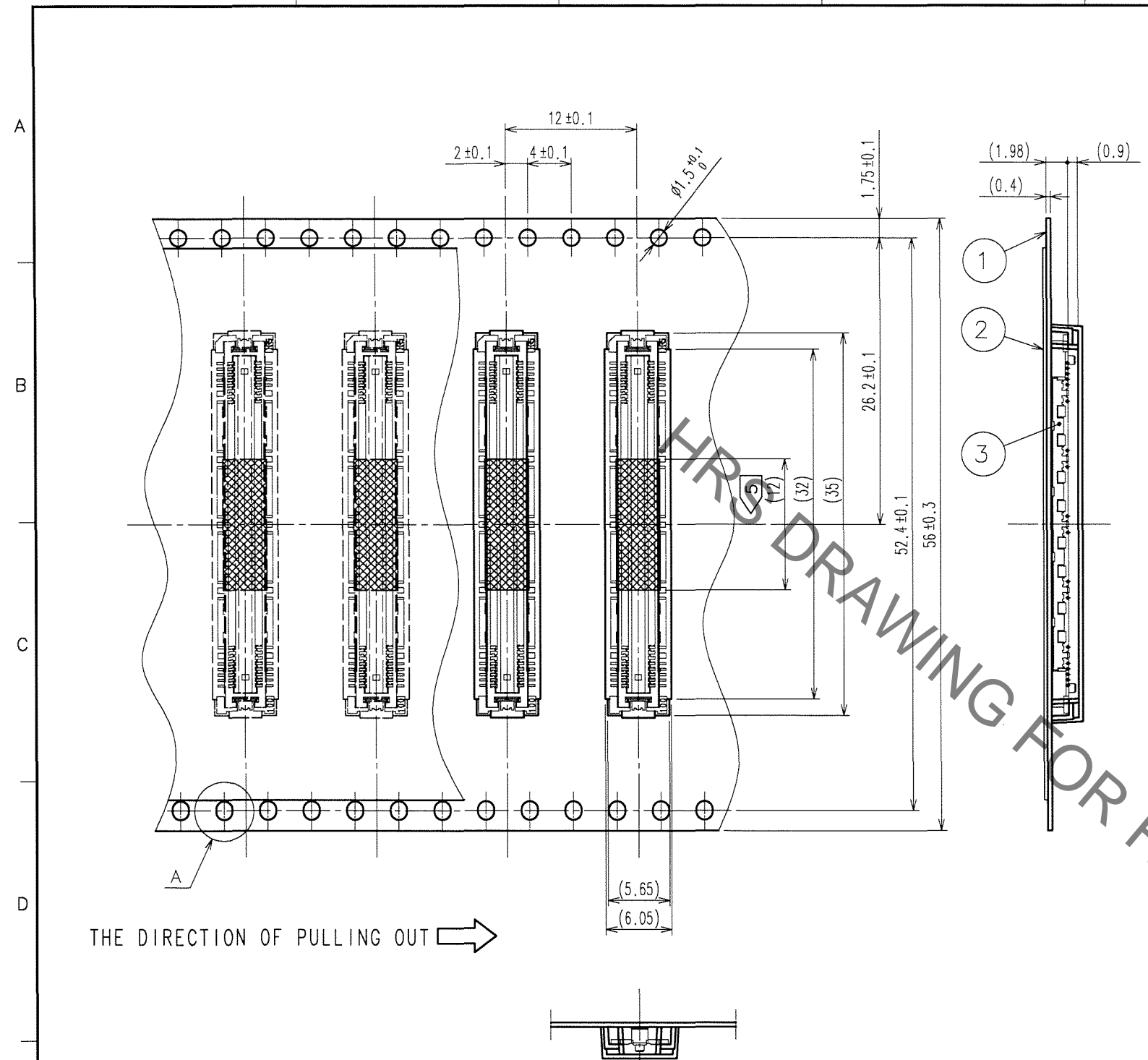
  

SCALE 5 : 1	DRAWING NO. EDC3-152094-22	PART NO. FX11LA-100P/10-SV(92)
UNITS mm	<b>HRS</b> HIROSE ELECTRIC CO.,LTD.	CODE NO. CL573-0004-2-92

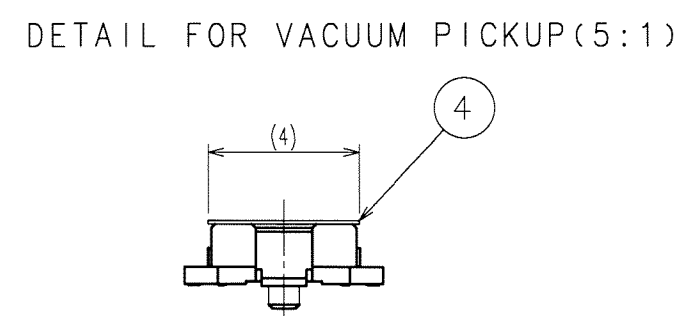
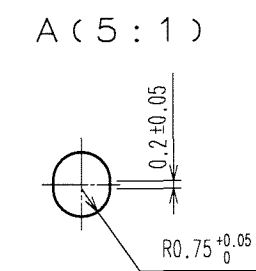
TO  
PCK

May.1.2023 Copyright 2023 HIROSE ELECTRIC CO., LTD. All Rights Reserved.  
In case of consideration for using Automotive equipment / device which demand high reliability, kindly contact our sales window correspondents.

COUNT	DESCRIPTION OF REVISIONS	BY	CHKD	DATE	COUNT	DESCRIPTION OF REVISIONS	BY	CHKD	DATE



THE DIRECTION OF PULLING OUT →



- NOTES
- 1 REEL:1000 CONNECTORS.
  - 2 MINIMUM 10 COMPARTMENTS FROM BOTH REEL ENDS REMAIN EMPTY.
  - 3 THIS PRODUCT HAS NO POLAVITY TO TAPE AND REEL PACKAGING.
  - 4 THE DIMENSIONS IN PARENTHESES ARE FOR REFERENCE.
  - 5 REMOVE THE VACUUM PICKUP TAPE AFTER MOUNTING THE CONNECTOR.

2	PET	(TOP COVER TAPE)	4	POLYIMIDE	(TAPE FOR VACUUM PICKUP)
1	PS	(EMBOSSED CARRIER TAPE)	3		(CONNECTOR)
NO.	MATERIAL	FINISH, REMARKS	NO.	MATERIAL	FINISH, REMARKS
CODE NO. (OLD) CL			DRAWN S.KAMIGA 06.09.25	DESIGNED <i>K. Nakamura</i> 06.09.25	CHECKED <i>K. Ogawa</i> 06.09.26
			APPROVED <i>H. Okawa</i> 06.09.26	RELEASED	
DRAWING NO. EDC3-152094-22			PART NO. FX11LA-100P/10-SV(92)		
SCALE 2 : 1			CODE NO. CL573-0004-2-92		
UNITS mm			HRS HIROSE ELECTRIC CO., LTD.		

TO
PCK