

4

3

2

1

THIS DRAWING IS UNPUBLISHED  
VERTRAULICHE UNVERÖFFENTLICHE ZEICHNUNG

RELEASE FOR PUBLIKATION  
FREI FUER VERÖFFENTLICHUNG

MATED WITH:  
PASSEND ZU:

LOC AI  
DIST -

REVISIONS  
ÄNDERUNGEN

© COPYRIGHT 2000

BY AMP INCORPORATED

ALL RIGHTS RESERVED  
ALLE RECHTE VORBEHALTEN

BG5

P LTR

DESCRIPTION  
BESCHREIBUNG

DATE

DWN

APVD

PROJEKT NR.  
EGGMA05416

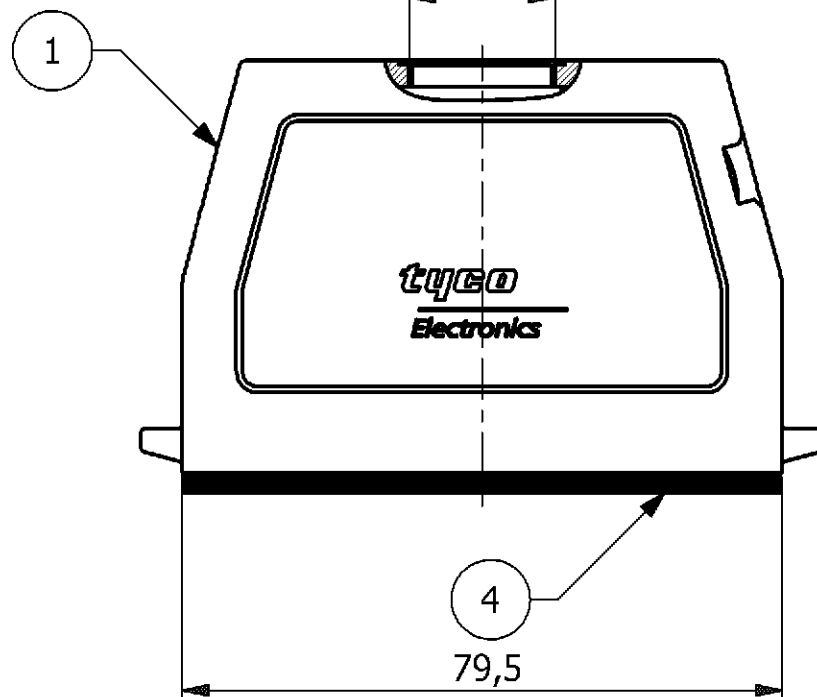
C3

ECR-21-123564

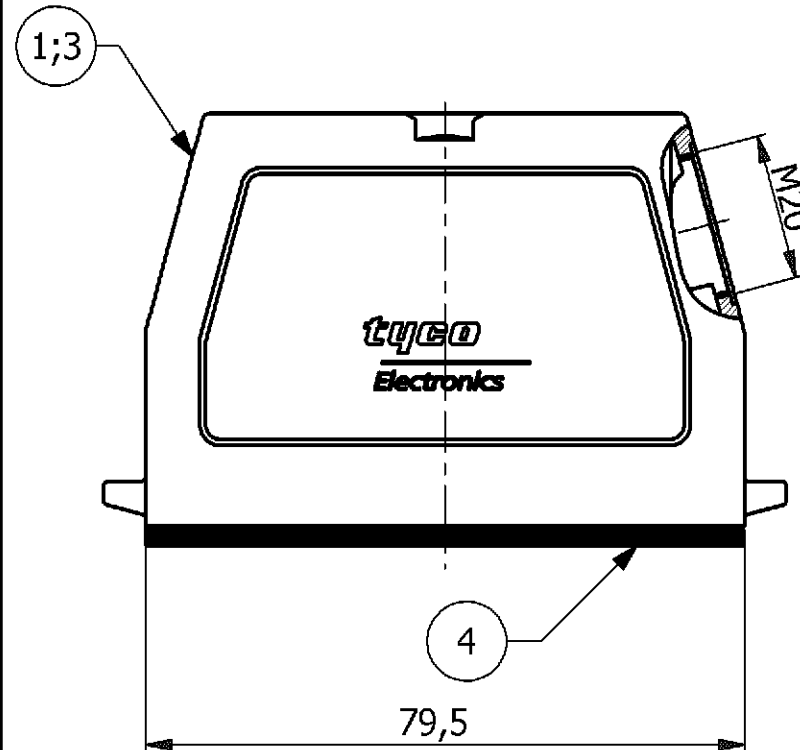
11JUL2022

RK

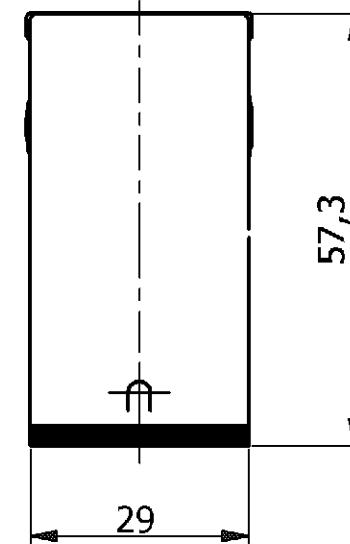
JB



PN 0-1 & 0-6 as shown

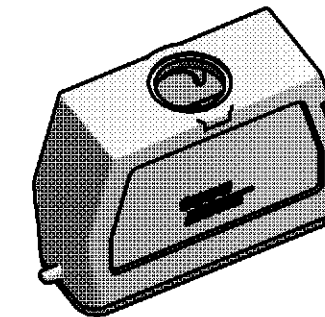


PN 0-2, 0-4 & 0-7 as shown

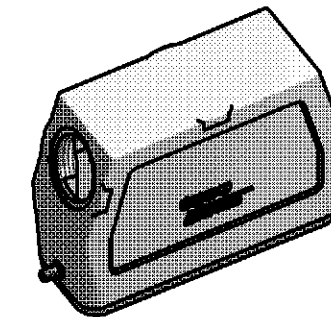


### NOTES

- 1 PACKAGING QUANTITY: 5 PIECES PER BOX
- 2 MATERIAL: SEE TABLE
- 3 SURFACE: -GREY  
- VARNISH BLACK
- 4 VARNISH ON THE INSIDE NOT NECESSARY
- 5 OBSOLETE



PN 0-1 & 0-6



PN 0-2, 0-4 & 0-7

QTY	ITEM NO.	DESCRIPTION	MATERIAL	SURFACE	COLOR	REMARKS
1	0-7	Profile Seal	Neoprene	-	Black	4
1	0-6	HA Hood	Aluminium	HC	Black	3
1	0-5	HA Hood	Aluminium	-	Black	2
1	0-4	HA Hood	Aluminium	-	Grey	1
1	0-2	HA Hood	Aluminium	-	Grey	1
1	0-1	HA Hood	Aluminium	-	Grey	1

ORDERING TEXT

HA.16.STO.1.M20.G  
 HA.16.STS.1.M20.G  
 HA-K.16.STS.1.M20.G  
 HA.16.STS.1.M20.G  
 HA.16.STO.1.M20.G.KM  
 HA.16.STS.1.M20.G.KM

DIMENSIONS: DIMENSIONEN: mm		TOLERANCES UNLESS OTHERWISE SPECIFIED: ALLGEMEINTOLERANZEN		DWN P.BENNUR 2/24/2006 CHK R.SRINIVAS 2/24/2006 APVD T.SCHNURPFEIL 2/24/2006			
		n. ISO 8015 - mH-E n. ISO 2768 - 140 n. DIN 16901-		PRODUCT SPEC. PRODUKTSPEZ. 108-74009		NAME HOOD HA.16.STS/STO.1.M20.G	
MATERIAL		FINISH / OBERFLÄCHE / FARBE		APPLICATION SPEC. VERARBEITUNGSSPEZ. 114-74001		DRAWING NO. ZEICHNUNGS-NR. 1106439	
				WEIGHT GEWICHT -		SIZE A3 CAGE CODE 00779	
CUSTOMER DRAWING / KUNDENZEICHNUNG				SCALE MASSSTAB 1:1		SHEET BLATT 1 OF 1	
						RESTRICTED TO NUR FUER	
						REV. C3	