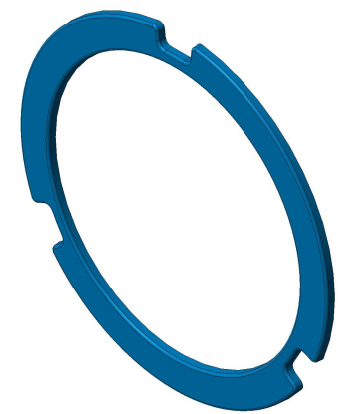
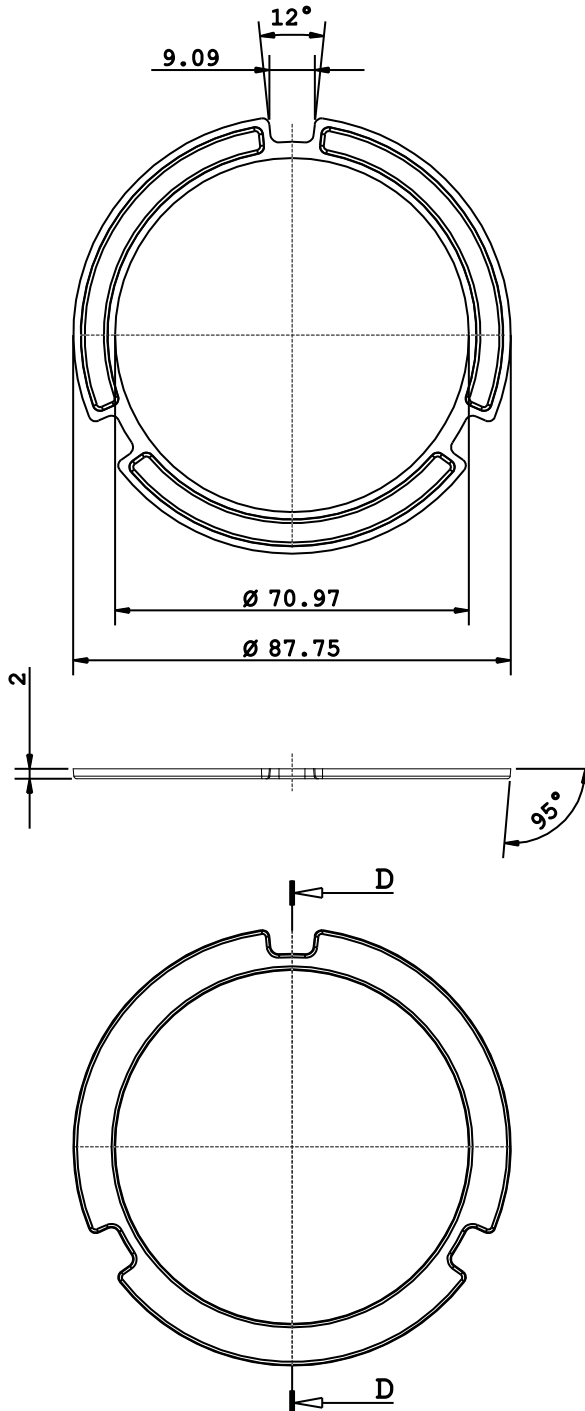


Note:
 - Dimensions in inches
 - For missing dimensions see 3D file



'' Project and design owned by Khatod OPTOELECTRONIC s. r. l. ''
 The technical solutions adopted in this design are Khatod intellectual property, they cannot be reproduced and transmitted to third parties without our prior written permission.
 Unauthorized disclosure of confidential proprietary information will be prosecuted by law.

DESCRIPTION : Gasket		DESIGNER : LM	PROJECTS : PLL 2112
CODE : KGAS 2112	CHECKED : LM	CONTROLLED : LM	DATA : 27/02/2018
KHATOD Via Alessandrina,25 Cusano Milanino MILANO ITALIA WWW.KHATOD.COM	All Dimensions in mm General Tolerances +/-0.25 mm		HEAT TREATMENT: None
			MATERIAL: LSR Translucent
SCALE : 1 : 1			SHEET : 1 of 1