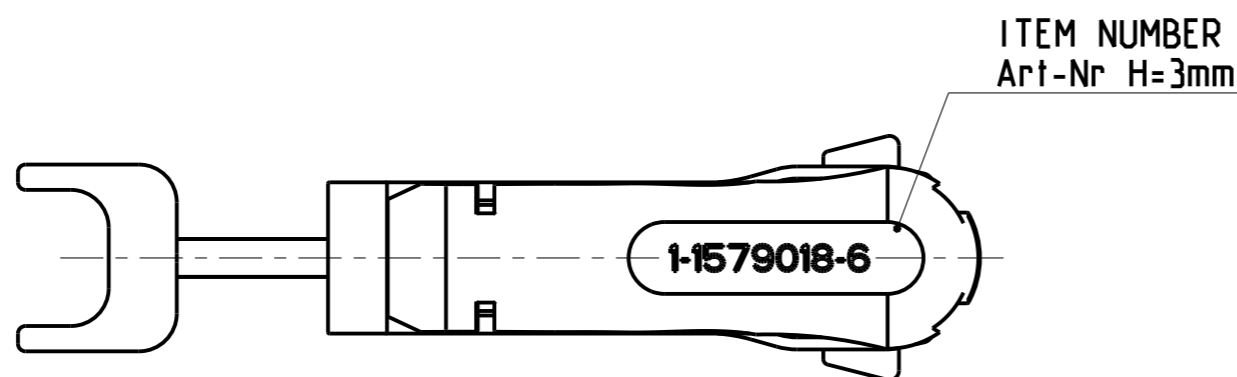
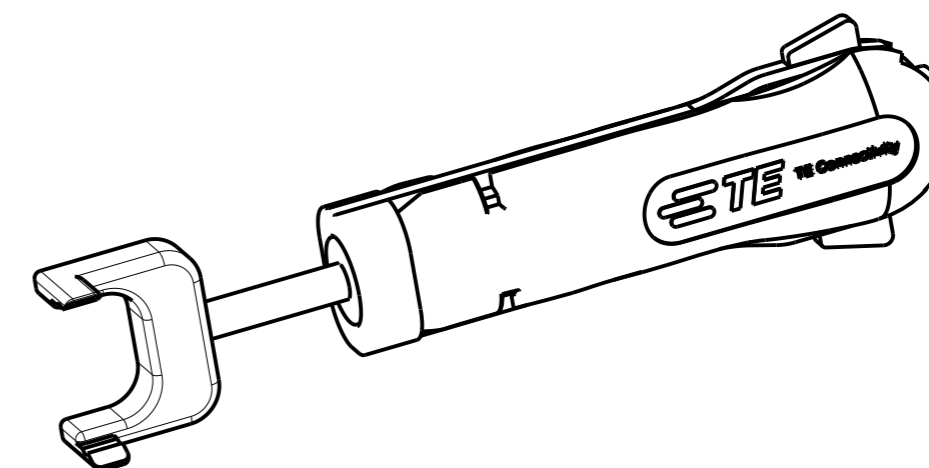
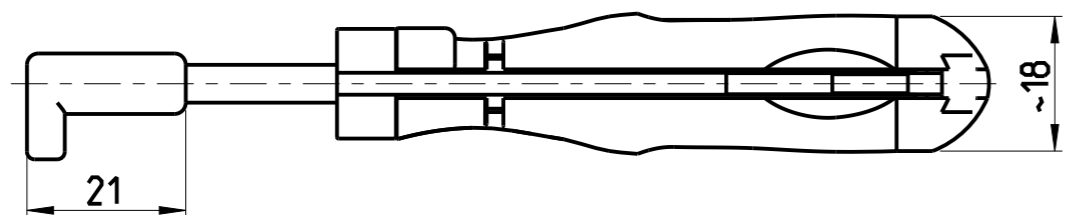
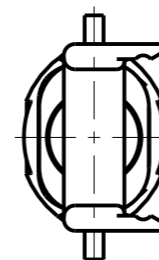
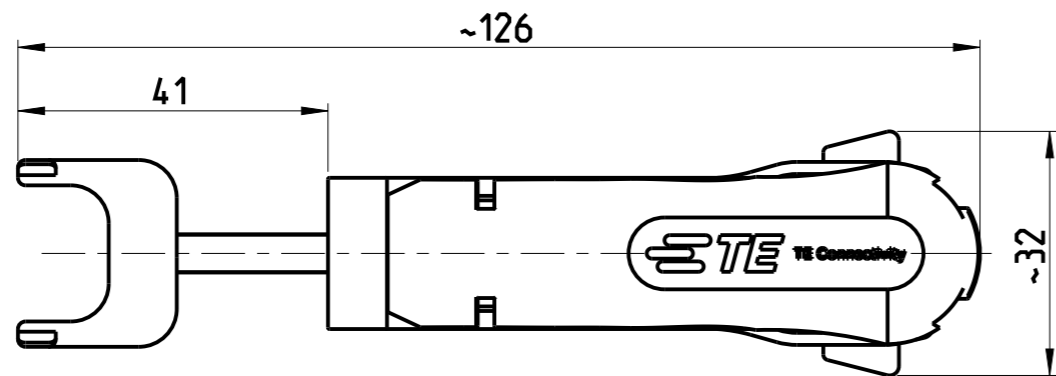


REVISIONS

P	LTR	DESCRIPTION	DATE	DWN	APVD
	A1	ECR-21-001703	18FEB2021	PNT	GS

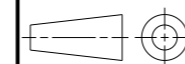


APPLICATION RANGE / Anwendungsbereich :

2 WAY RECEPTACLE HOUSING: 1801422-X

THIS DRAWING IS A CONTROLLED DOCUMENT.

DIMENSIONS: mm



TOLERANCES UNLESS OTHERWISE SPECIFIED:

- 0 PLC ±
- 1 PLC ±
- 2 PLC ±
- 3 PLC ±
- 4 PLC ±
- ANGLES ±

MATERIAL

FINISH

DWN S. Samstag 18NOV2008
 CHK S. Samstag 18NOV2008
 APVD S. Samstag 18NOV2008
 PRODUCT SPEC

APPLICATION SPEC

WEIGHT

CUSTOMER DRAWING



NAME EXTRACTION TOOL
Entriegelungswerkzeug

SIZE	CAGE CODE	DRAWING NO	RESTRICTED TO
------	-----------	------------	---------------

A3	00779	C-1-1579018-6	-
----	-------	---------------	---

SCALE	SHEET	OF	REV
1:1	1	1	A1