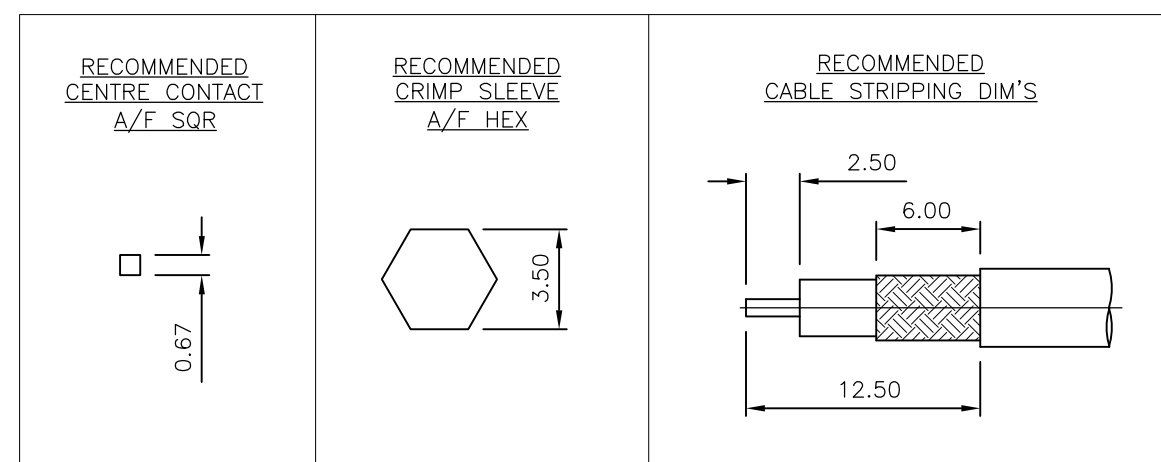
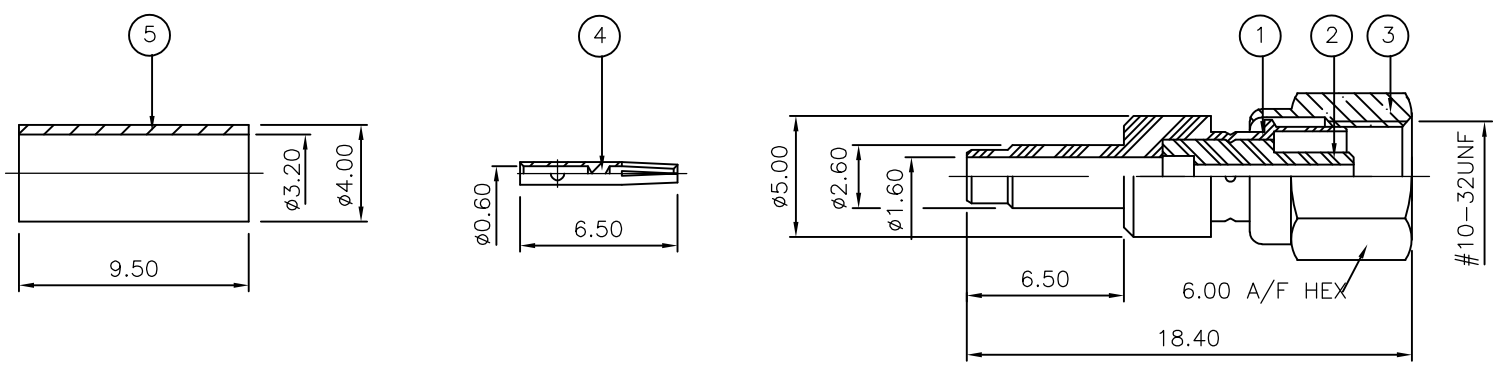


THIS DRAWING IS UNPUBLISHED. RELEASED FOR PUBLICATION FEB ,2006.  
 © COPYRIGHT 2006 By - ALL RIGHTS RESERVED.

LOC	DIST	REVISIONS			
P	LTR	DESCRIPTION	DATE	DWN	APVD
E	B				
	D	ECO-12-013958	18JAN2013	RZ	MY

- NOTES:**
- 1 PACK IN ACCORDANCE WITH AMP SPEC 107-3275
  - 2 100 TRAY PACK IN ACCORDANCE WITH AMP SPEC 107-3275
  - 3 Au PLATING
  - 4 HAND TOOL : 9-1478240-0
  - 5 DIE SET : 9-1478248-0
  - 6 ELECTRICAL CHARACTERISTICS  
 FREQUENCY RANGE: DC - 10 GHz  
 NOMINAL IMPEDANCE: 50 Ohm  
 INSULATION RESISTANCE: 1000 MOhm MIN  
 WORKING VOLTAGE: 250 Volts RMS AT SEA LEVEL  
 DIELECTRIC WITHSTAND VOLTAGE: 750 Volts RMS MAX  
 CONTACT RESISTANCE:  
 CENTRE CONTACT: 6.00 mOhm MAX  
 OUTER CONTACT: 1.00 mOhm MAX  
 VSWR @ 3GHz: 1.35:1  
 INSERTION LOSS dB @ x 10 GHz: 2.5 MAX
  - 7 MECHANICAL CHARACTERISTICS  
 COUPLING NUT RETENTION FORCE: 35 LBS MIN  
 RECOMMENDED COUPLING TORQUE: 1 IN-LBS MAX  
 DURABILITY: 500 CYCLES MIN
  - 8 ENVIRONMENTAL CHARACTERISTICS  
 OPERATING TEMPERATURE: -65 to +165 DegC



QTY	UNIT	MATERIAL	DESCRIPTION	ITEM
1	1	BRASS	FERRULE	5
1	1	BERYLLIUM COPPER	CONTACT	4
1	1	BRASS	COUPLING NUT	3
1	1	PTFE	INSULATION	2
1	1	BRASS	BODY	1
6--0	1--0	MATERIAL	DESCRIPTION	ITEM
QUANTITY PER ASSY		PARTS LIST		

THIS DRAWING IS A CONTROLLED DOCUMENT.

DWN J.SANDWELL 15FEB06  
 CHK S.PARLOW 15FEB06  
 APVD F.WHEELER-KING 15FEB06

**STE** TE Connectivity

NAME: SMC STRAIGHT PLUG CRIMP 50 OHM  
 RG174A/U, 188A/U, 316/U, URM95, KX3B, KX22A

PRODUCT SPEC: -  
 APPLICATION SPEC: 411-3247

SIZE: A3 CAGE CODE: 00779 DRAWING NO: C-1337608 RESTRICTED TO: -

MATERIAL: SEE TABLE FINISH: -  
 WEIGHT: -

CUSTOMER DRAWING SCALE: NTS SHEET: 1 OF 1 REV: D