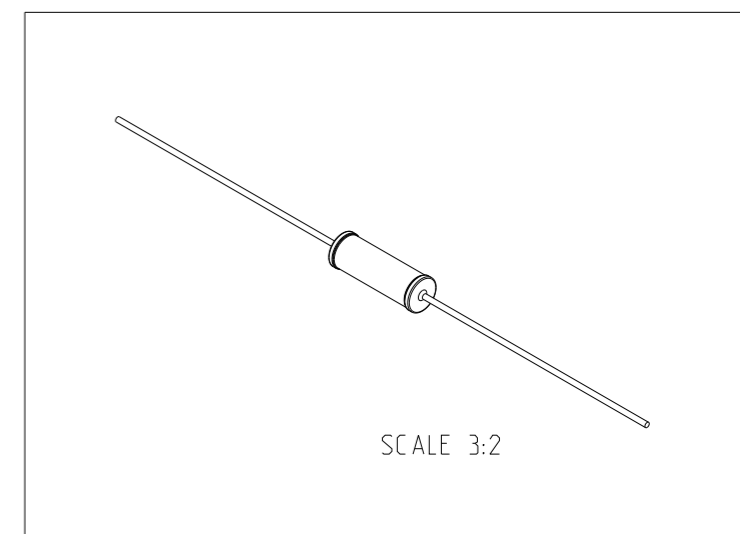
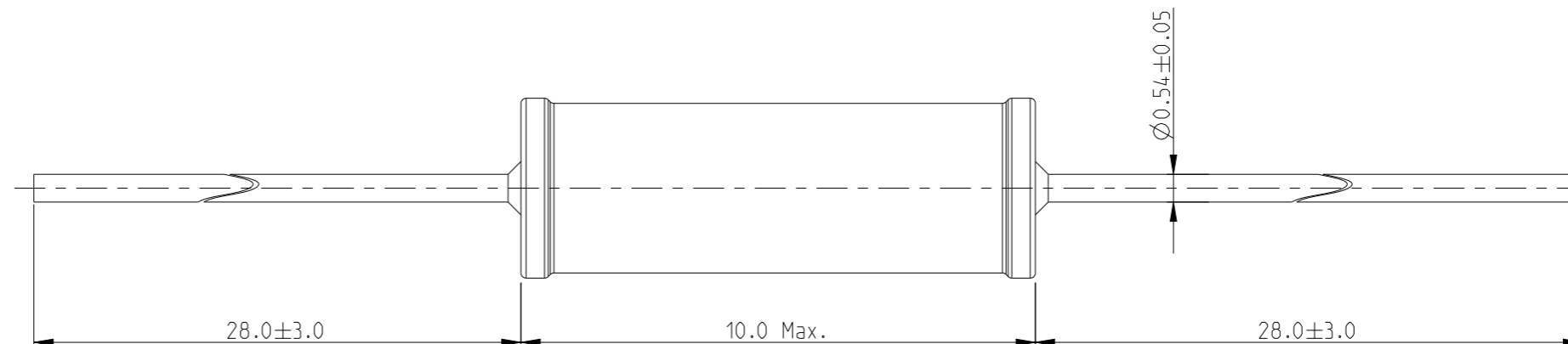
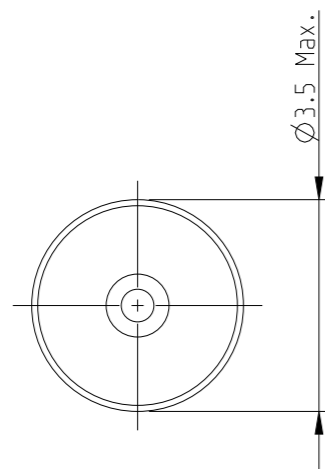


REVISIONS

P	LTR	DESCRIPTION	DATE	DWN	APVD
	BA	NEW RELEASE	23-MAR-10	MRS	St.P
	BB	CLARIFICATION OF DIMENSIONS	18JAN2023	DM	AP

FOR FURTHER INFORMATION SEE DATA SHEET FOR SERIES LR, METAL FILM FIXED RESISTORS



RoHS Compliant

THIS DRAWING IS A CONTROLLED DOCUMENT.

DWN MAHARUDRA 23-MAR-10

CHK ALLAN.P 23-MAR-10

APVD STEPHEN.P 23-MAR-10

PRODUCT SPEC -

APPLICATION SPEC -

WEIGHT -

CUSTOMER DRAWING

NAME METAL FILM FIXED RESISTORS SERIES LR2



SIZE	CAGE CODE	DRAWING NO	RESTRICTED TO
------	-----------	------------	---------------

A3	00779	C=1622710	-
----	-------	-----------	---

SCALE	SHEET	OF	REV
8:1	1	1	BB

DIMENSIONS:	TOLERANCES UNLESS OTHERWISE SPECIFIED:
mm	
	0 PLC ± 0.2
	1 PLC ± 0.1
	2 PLC \pm
	3 PLC \pm
	4 PLC \pm
	ANGLES $\pm 5^\circ$
MATERIAL	FINISH
-	-