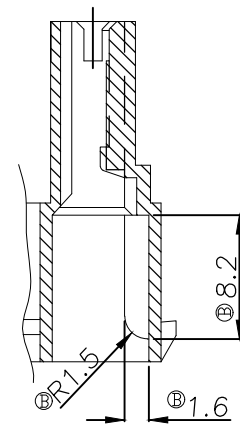
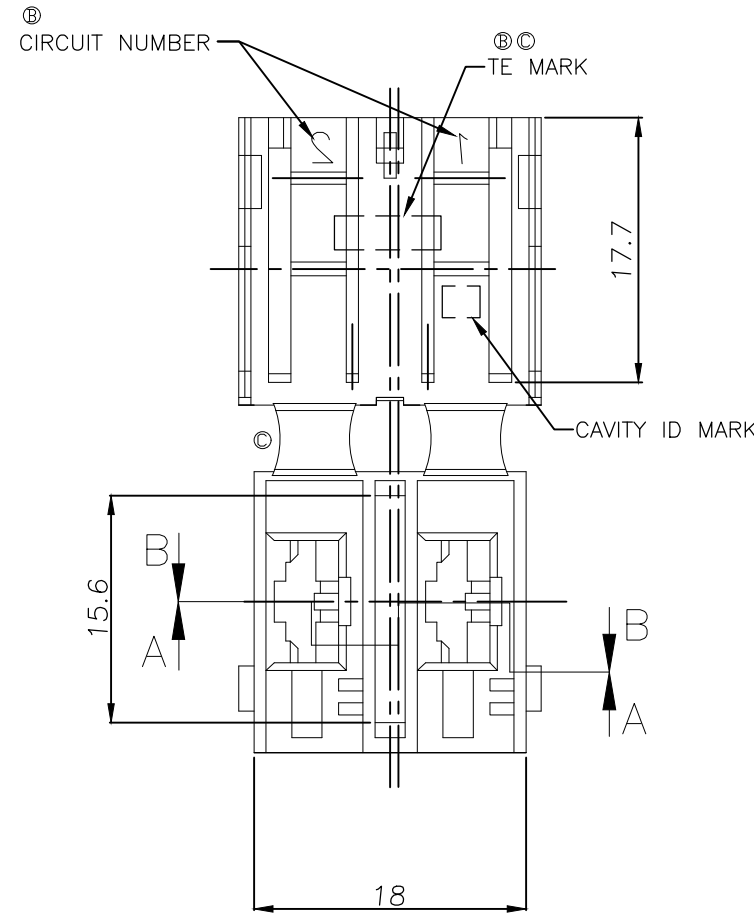
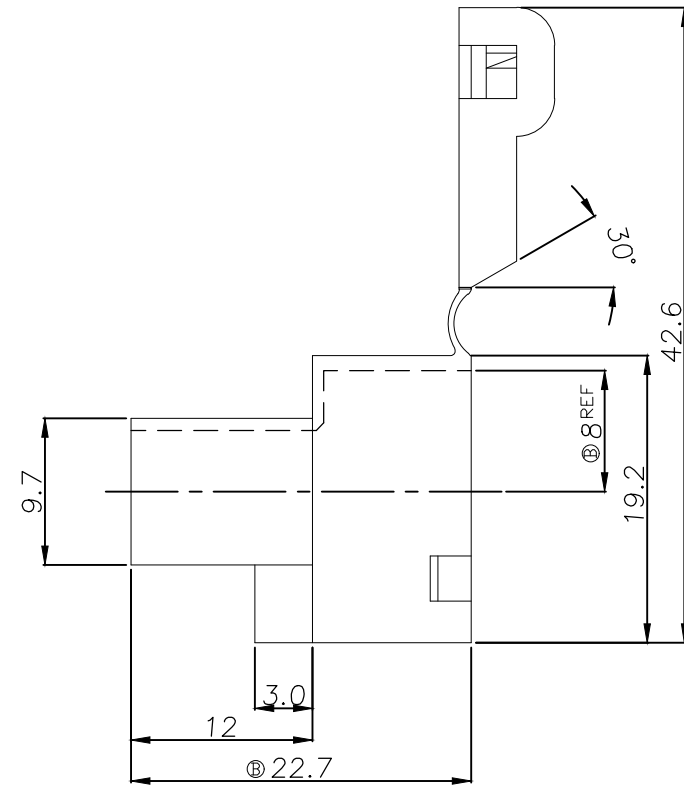
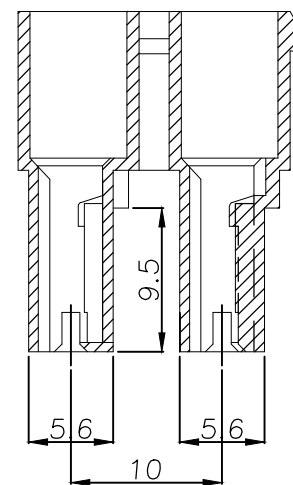


P	LTR	DESCRIPTION	DATE	DWN	APVD
	C	REVISED(ECR-20-004927)	MAY/12/20	LZ	EW



SECT. B-B



SECT. A-A

NOTE:

1. APPLICABLE CONTACT P/N  
936603-1, 936604-1, 936605-1
2. PRODUCT SPEC. ; 108-5162
3. INSTRUCTION SHEET ; IS-212J.

UL94V-2	Nylon 66	GREEN	85091-4
UL94V-2	Nylon 66	YELLOW	85091-3
UL94V-2	Nylon 66	BLUE	85091-2
UL94V-2	Nylon 66	NATURAL	85091-1
NOTES	MATERIAL	COLOR	P/N

THIS DRAWING IS A CONTROLLED DOCUMENT.		DWN BH CHO	TE Connectivity  250 SER.FLAG POSITIVE LOCK HSG FOR LAYOUT					
DIMENSIONS: mm		CHK BW KANG				NAME		
TOLERANCES UNLESS OTHERWISE SPECIFIED:		APVD CS LEE				PRODUCT SPEC		
0 PLC ± - 1 PLC ± - 2 PLC ± - 3 PLC ± - 4 PLC ± - ANGLES ± -		APPLICATION SPEC				108-5162		
MATERIAL		WEIGHT	SIZE	CAGE CODE	DRAWING NO	RESTRICTED TO		
-		-	A3	00779	C-85091	-		
CUSTOMER DRAWING			SCALE	SHEET	REV			
			2:1	1 OF 1	C			