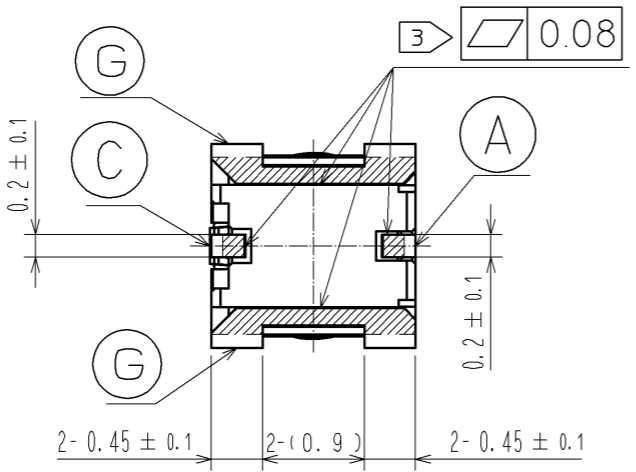
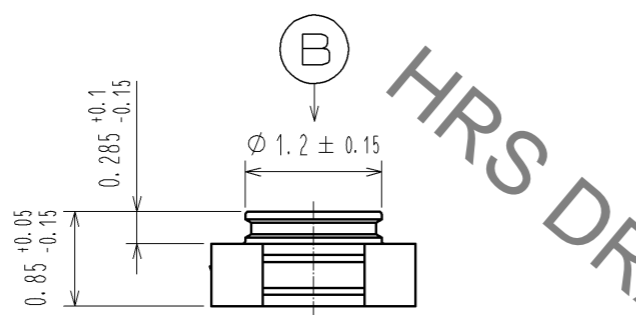
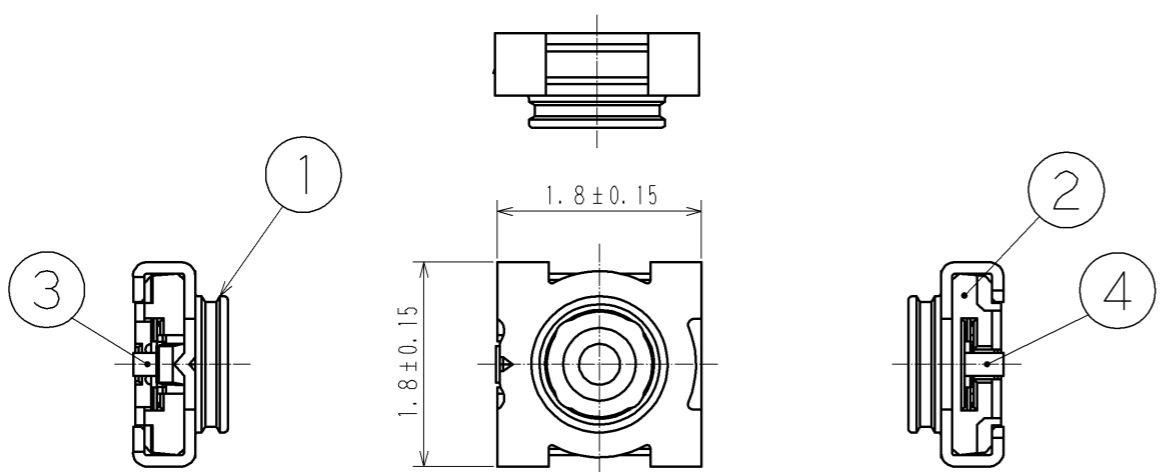
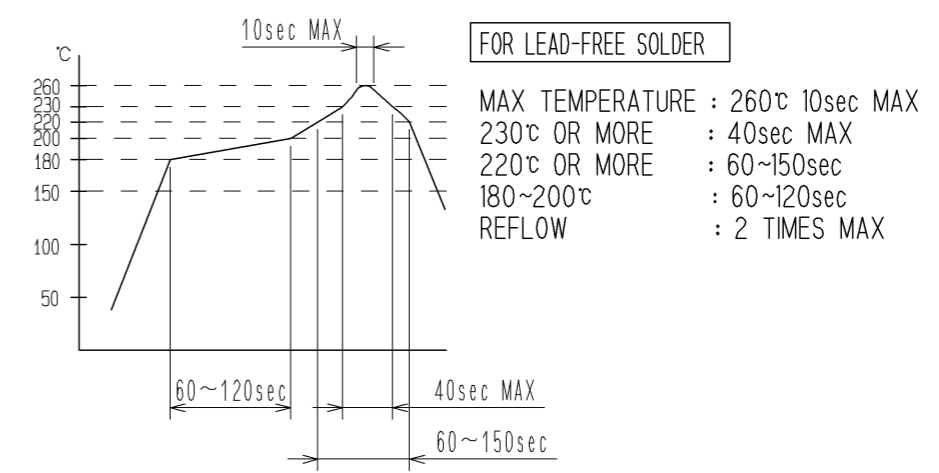


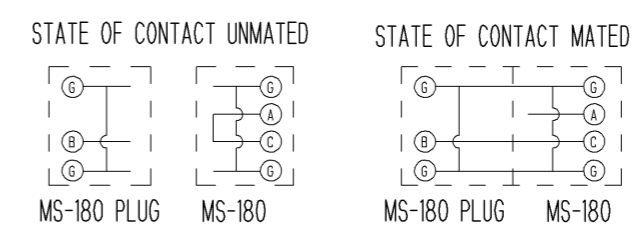
May.1.2023 Copyright 2023 HIROSE ELECTRIC CO., LTD. All Rights Reserved.  
In case of consideration for using Automotive equipment / device which demand high reliability, kindly contact our sales window correspondents.



RECOMMENDED REFLOW TEMPERATURE PROFILE

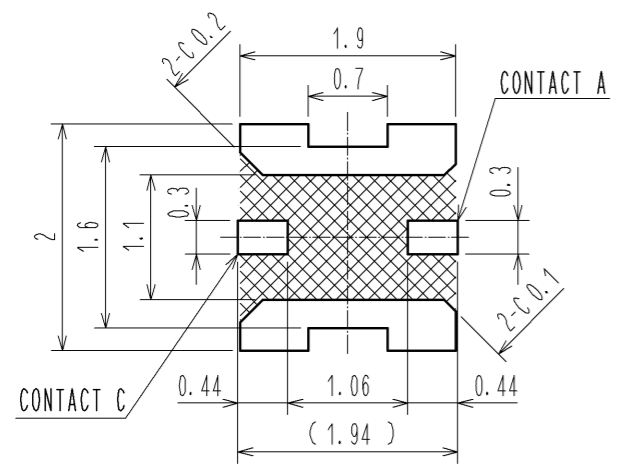


NOTE 1. Circuit shall be as follows.

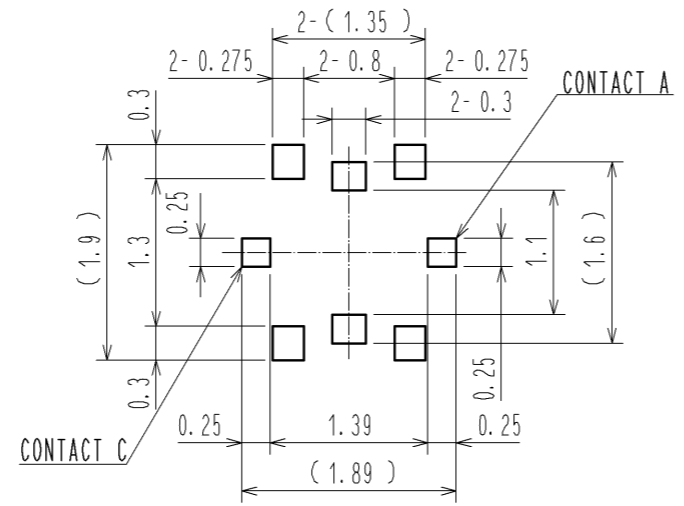


- For use of this product, be sure to put contact area of plug on position P perpendicularly.
- Lead co-planarity is to be 0.08mm MAX.
- Do not use the washing process.
- Please do not change the specified layout of the PCB dimension and the layout of the stencil plate dimension and thickness otherwise could not be responsible for the solderability of the product.
- This product is intended to be used for circuit inspection only. Consult us if any other application is considered.
- Do not use hand soldering for mounting of MS-180.

**5** SPECIFIED PCB LAYOUT  
The dimensional tolerance to be ± 0.05.



**5** SPECIFIED STENCIL PLATE  
THICKNESS: 0.1mm  
The dimensional tolerance to be ± 0.05.

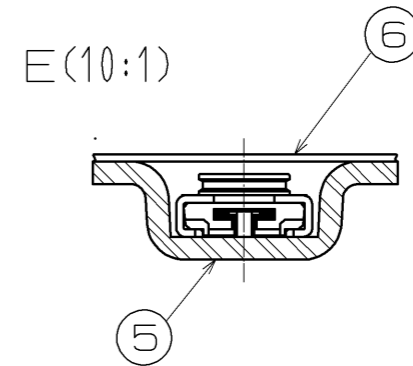
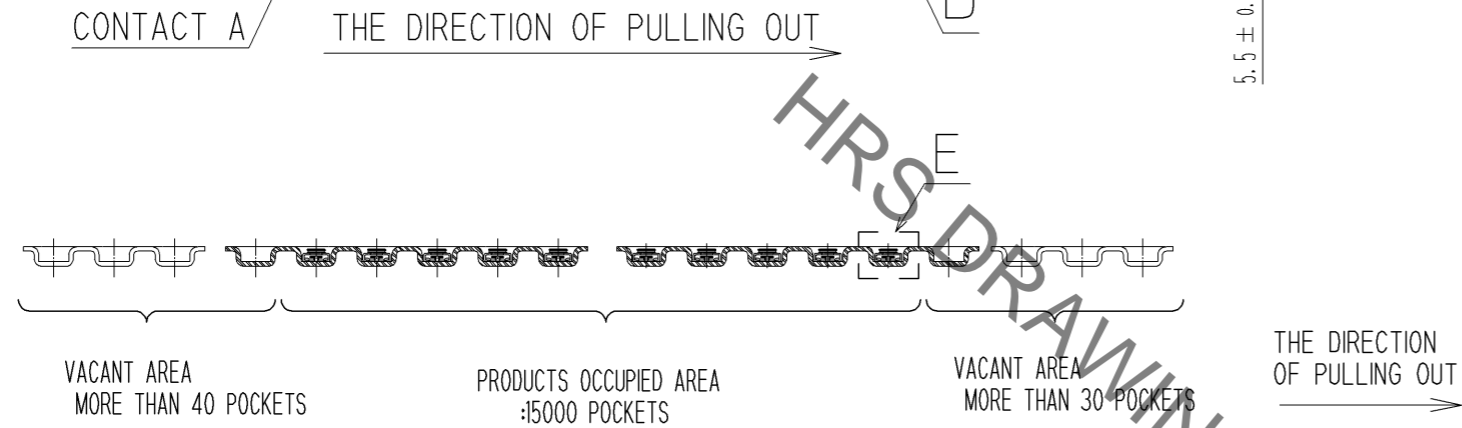
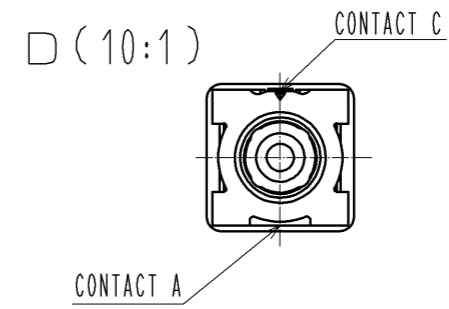
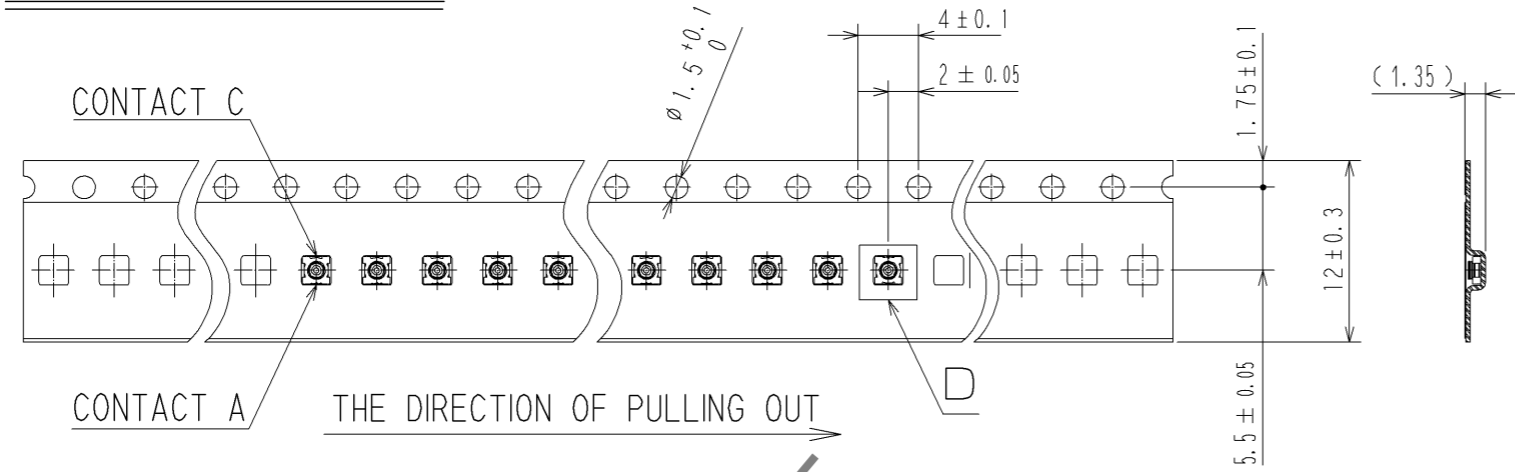


: This area must be free of conductive traces and resist field.

3	CU-NI-SI-ALLOY	SELECTIVE GOLD PLATING	7	PS	
2	LCP-M		6	PS	
1	BRASS	SELECTIVE GOLD PLATING	5	PS	
			4	CU-NI-SI-ALLOY	SELECTIVE GOLD PLATING
NO.	MATERIAL	FINISH . REMARKS	NO.	MATERIAL	FINISH . REMARKS
UNITS mm		SCALE 15 : 1	COUNT 	DESCRIPTION OF REVISIONS DIS-J-001356	
APPROVED : KJ. KAWAMURA 08.11.08			DESIGNED TS. NAKAGAWA	CHECKED NK. NINOMIYA	DATE 11.09.13
CHECED : TY. OZAKI 08.11.07			DRAWING NO. EDC3-180771-00		
DESIGNED : TS. NAKAGAWA 08.11.07			PART NO. MS-180		
DRAWN : TS. NAKAGAWA 08.11.07			CODE NO. CL358-0265-7-00		
			1/2		

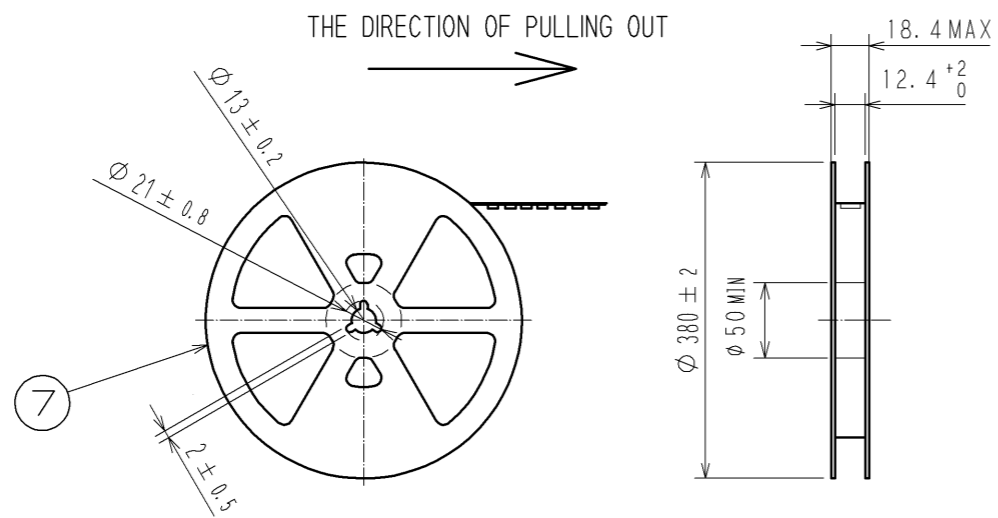
May.1.2023 Copyright 2023 HIROSE ELECTRIC CO., LTD. All Rights Reserved.  
 In case of consideration for using Automotive equipment / device which demand high reliability, kindly contact our sales window correspondents.

PACKAGING SPECIFICATION (2:1)

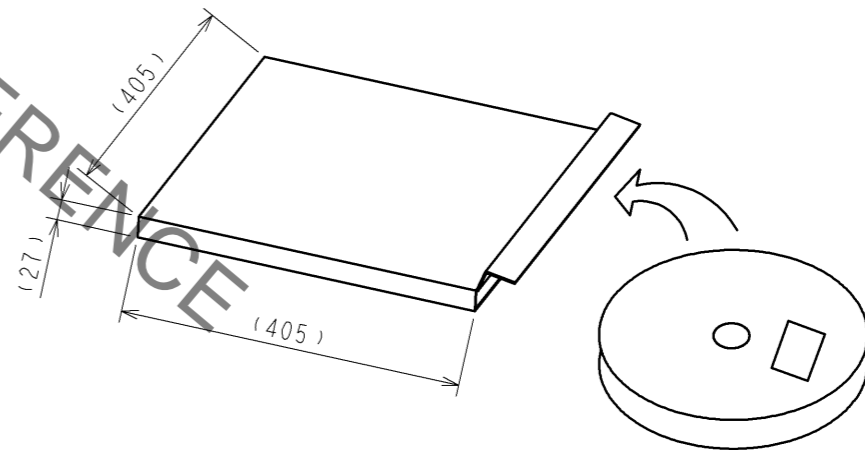


REEL DIMENSIONS(FREE)

15000 PIECES PER REEL



OUTER PACKAGING CASE(FREE)



HRS DRAWING FOR REFERENCE

<b>HRS</b>	DRAWING NO.	EDC3-180771-00
	PART NO.	MS-180
	CODE NO.	CL358-0265-7-00
		4/2