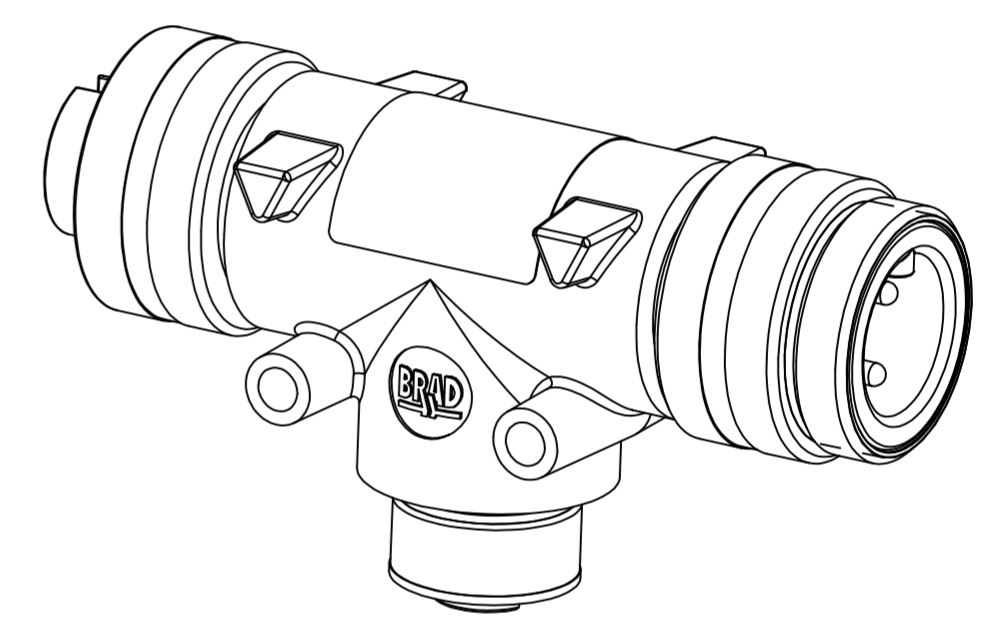
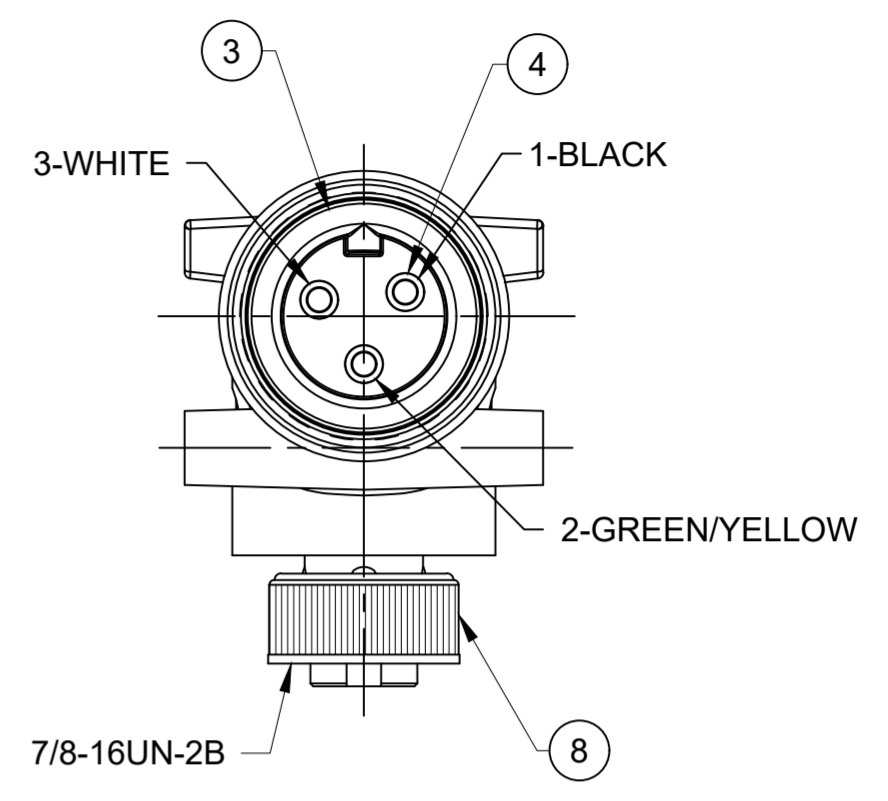
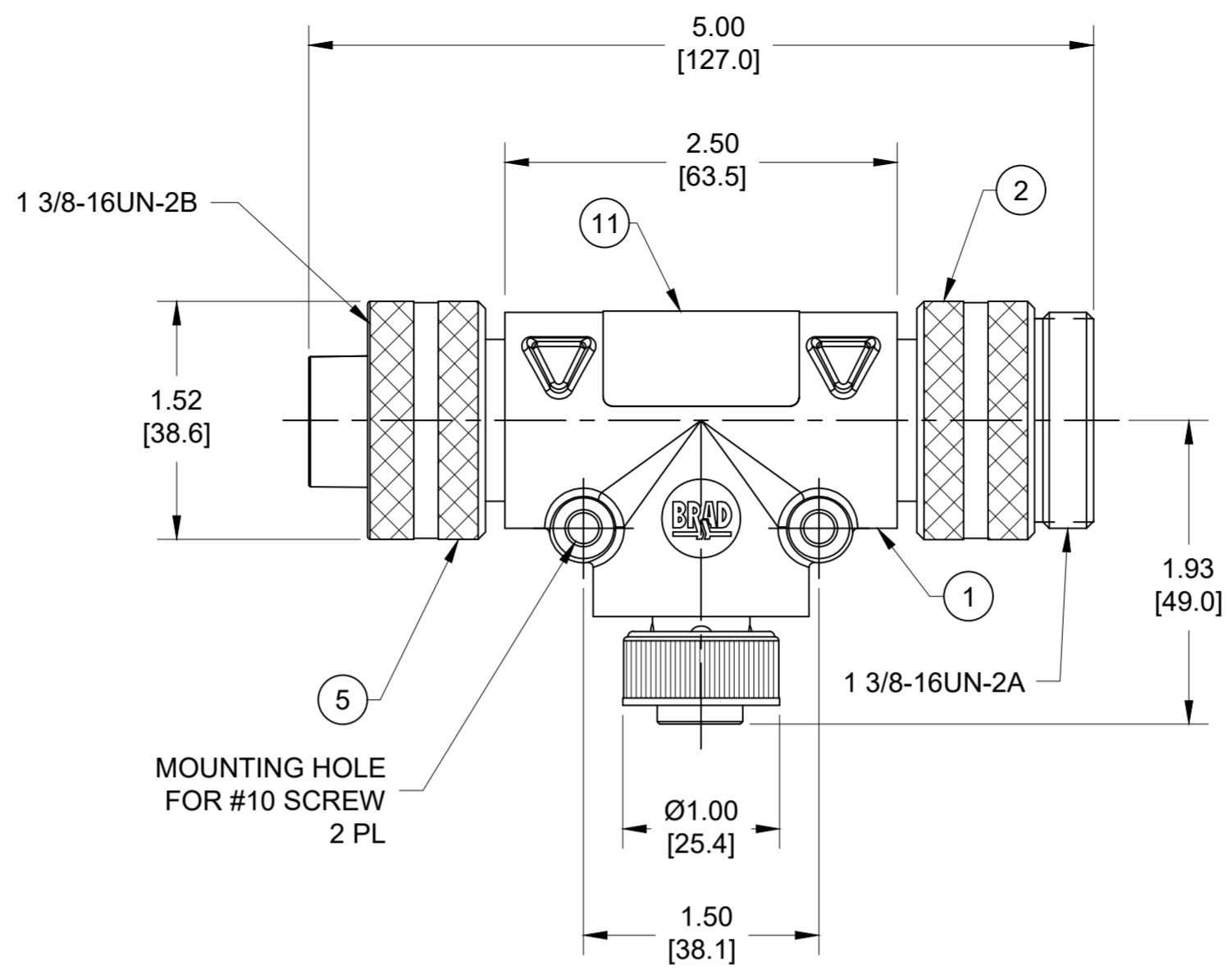
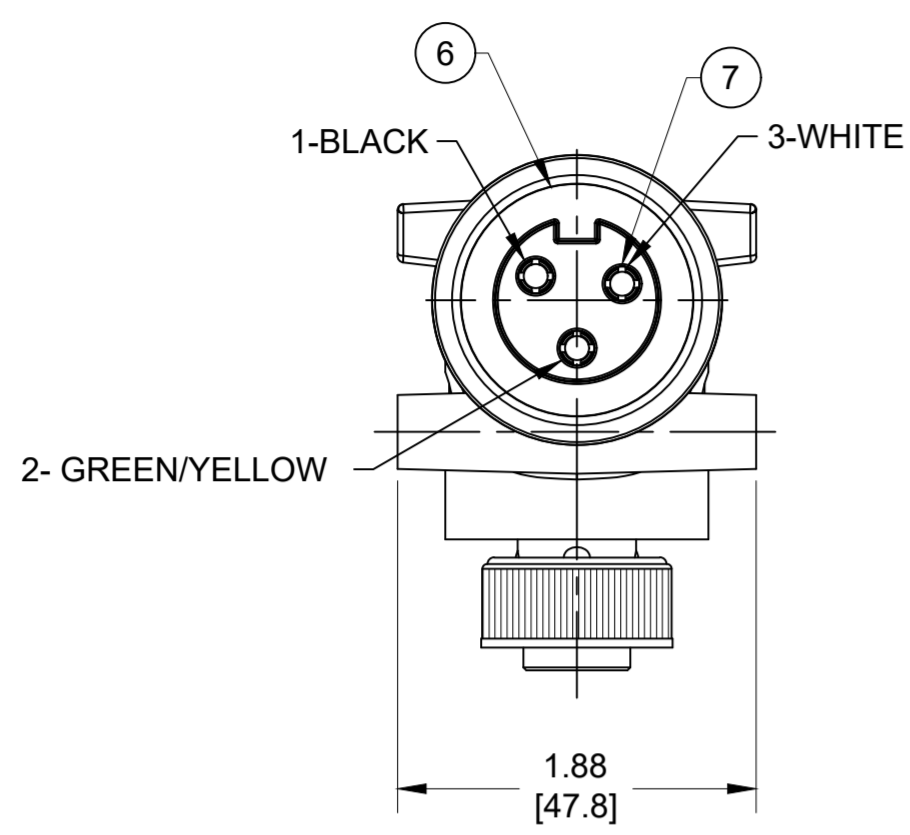
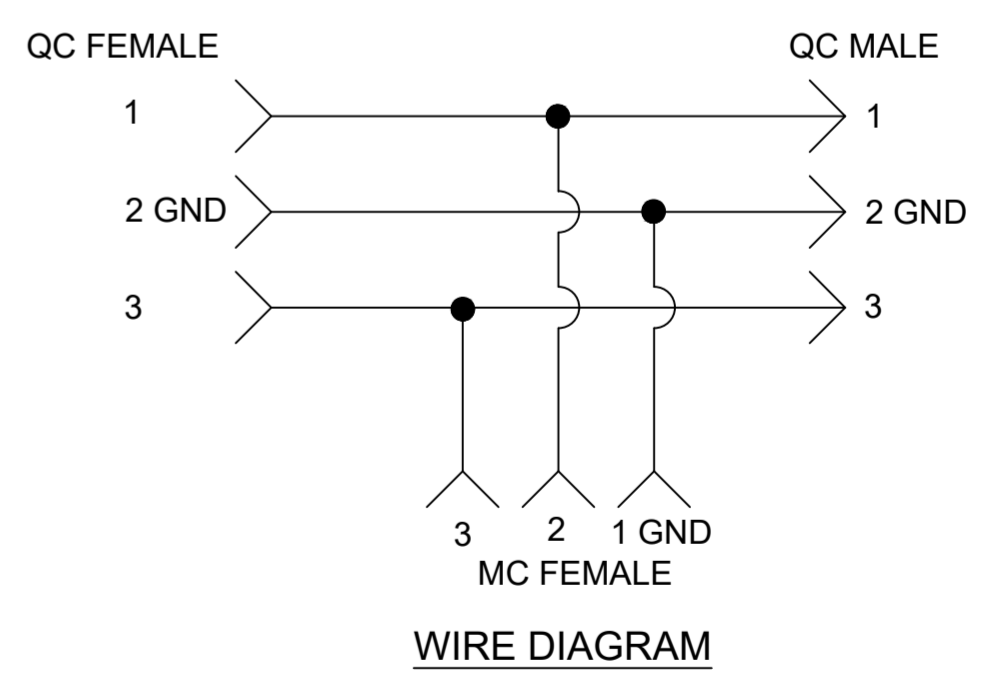
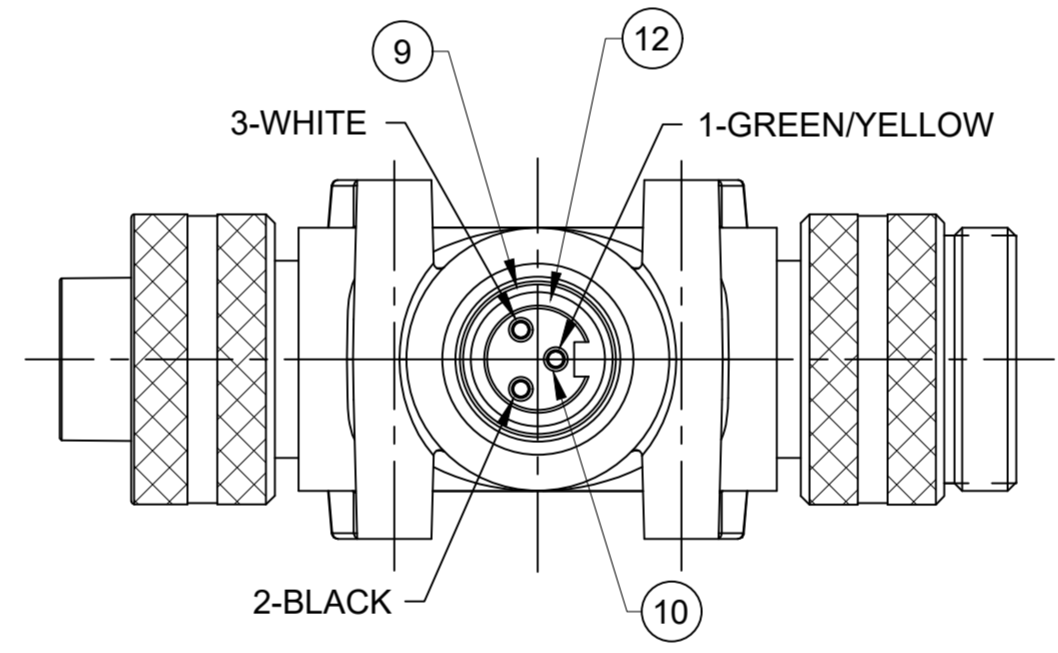


PART NUMBER	ENGINEERING NUMBER
1300680105	TC30130-200E



- NOTES:
- MATERIAL: AS NOTED
  - FINISH: AS NOTED
  - ELECTRICAL:  
VOLTAGE: 500V PER IEC60664  
600V PER UL2237  
CURRENT: 15A
  - TEMP RATING: -20° TO +105°C <sup>(C)</sup>
  - PROTECTION: IP67 (WHEN MATED)
  - UL LISTED FILE: E258922
  - ALL DIMENSIONS ARE FOR REFERENCE UNLESS TOLERANCED OR NOTED OTHERWISE



12	FRICION RING	NYLON	NATURAL	(C)
11	LABEL	POLYESTER	BLACK/ORANGE	
10	SOCKET CONTACT	COPPER ALLOY	GOLD PLATED	
9	FEMALE INSERT	TPE	BLACK	(C)
8	FEMALE COUPLING NUT	ZINC ALLOY	BLACK E-COAT	
7	SOCKET CONTACT	COPPER ALLOY	GOLD PLATED	
6	FEMALE INSERT	TPE	BLACK	(C)
5	FEMALE COUPLING NUT	ALUMINUM	CLEAR ANODIZE	
4	PIN CONTACT	COPPER ALLOY	GOLD PLATED	
3	MALE INSERT	TPE	BLACK	(C)
2	MALE COUPLING NUT	ALUMINUM	CLEAR ANODIZE	
1	OVERMOLD	TPE	RED	(C)
ITEM	DESCRIPTION	MATERIAL	FINISH	

FUNCTIONAL SYMBOLS		THIS DRAWING CONTAINS INFORMATION THAT IS PROPRIETARY TO MOLEX ELECTRONIC TECHNOLOGIES, LLC AND SHOULD NOT BE USED WITHOUT WRITTEN PERMISSION	
FA=0	DIMENSION UNITS	SCALE	CURRENT REV DESC: ITEM# 1, 3, 6 & 9 WERE PVC. ADDED ITEM #12 FRICTION RING. MODIFIED TEMP RATING
	INCH/MM	NTS	
FC=0	GENERAL TOLERANCES (UNLESS SPECIFIED)		
		mm	INCH
FP=0	4 PLACES	±----	±----
	3 PLACES	±----	±----
DIVISIONAL SYMBOLS	2 PLACES	±----	±----
	1 PLACE	±----	±----
	0 PLACES	±----	±----
	ANGULAR TOL ± ---- °		
	DRAFT WHERE APPLICABLE MUST REMAIN WITHIN DIMENSIONS		
	THIRD ANGLE PROJECTION	DRAWING	SERIES
		C-SIZE	130068
		MATERIAL NUMBER	CUSTOMER
		SEE CHART	GENERAL MARKET
		DOCUMENT NUMBER	DOC TYPE/DOC PART/REVISION
		SD-130068-021	PSD 001 C
		SHEET NUMBER	1 OF 1