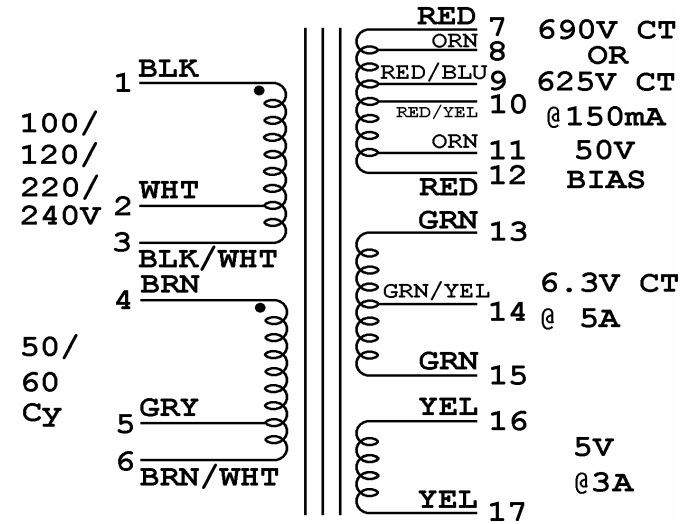
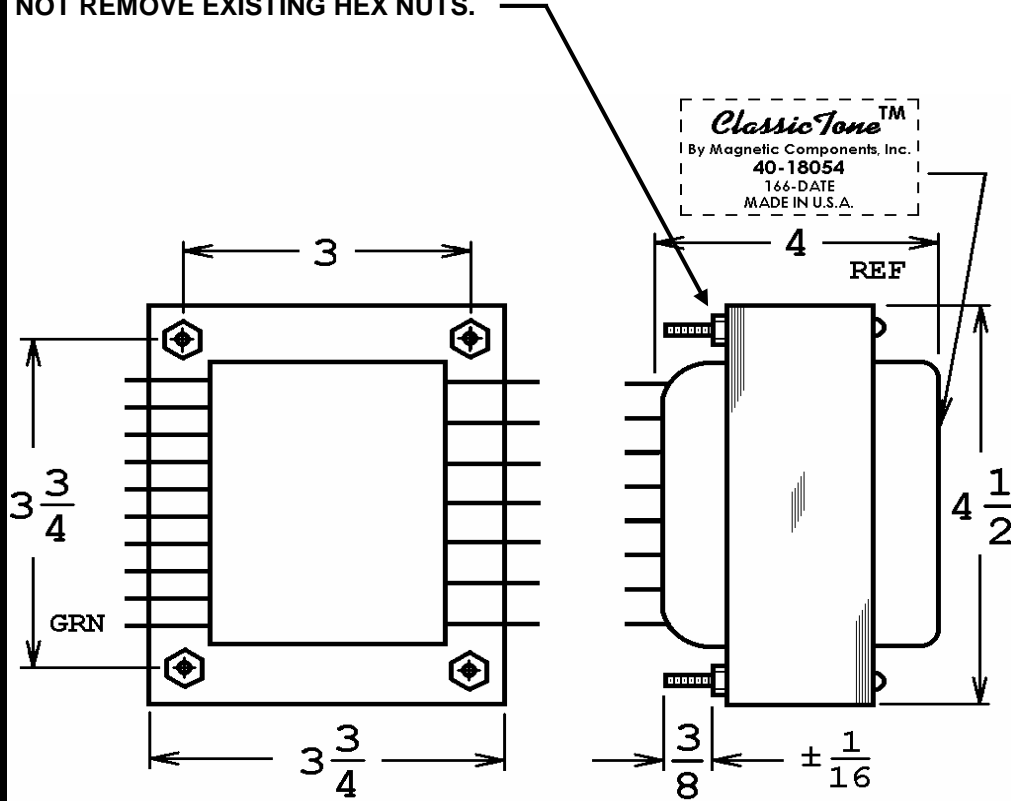


This drawing is the property of Magnetic Components, Inc. and shall not be reproduced, in whole or in part, without the written permission of Magnetic Components, Inc.

REVISIONS			
LTR	DESCRIPTION	DATE	APPROVED
D	REV LEAD BREAKOUT	07/22/13	M. Sacketti
E	ADD 100V TAPS, BIAS TAP, SHEET 2	08/01/13	M. Sacketti

USE FOUR # 8-32 HEX NUTS (NOT SUPPLIED) FOR CHASSIS MOUNTING. PLEASE DO NOT REMOVE EXISTING HEX NUTS.



SEE SHEET 2 FOR PRIMARY WIRING CONNECTIONS

TYPICAL PLATE WINDING APPLICATION: FOR TUBE RECTIFIER, USE RED-RED/YEL-RED LEADS. ORN LEADS NOT USED. FOR SOLID-STATE RECTIFIER, USE ORN-RED/YEL-ORN LEADS. RED LEADS NOT USED.

RED/BLU-RED/YEL = 50V BIAS

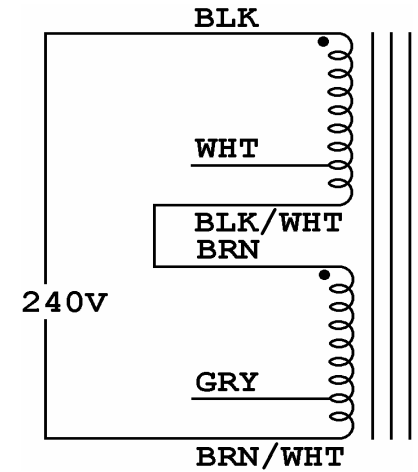
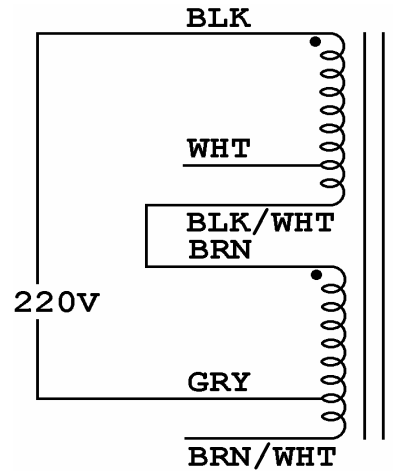
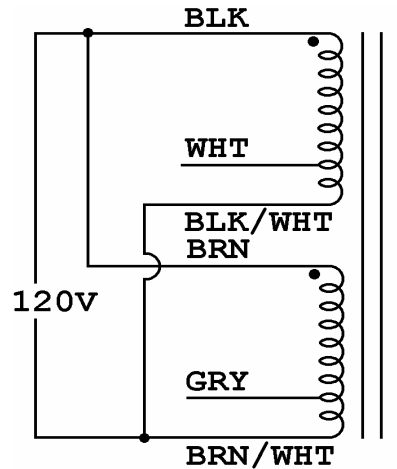
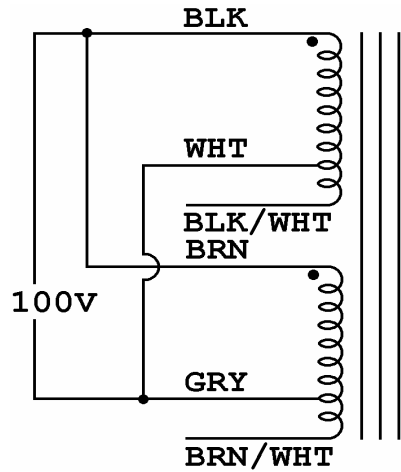
SEE CHART BELOW FOR MEASURED VOLTAGES.

VALUES BELOW @ 150mADC LOAD

TAPS	RECT.	B+
RED	1N4007	456VDC
RED	5U4GB	395VDC
RED	5Y3GT	409VDC
RED	5AR4	424VDC
ORN	1N4007	412VDC
ORN	5U4GT	348VDC
ORN	5Y3GT	362VDC
ORN	5AR4	379VDC

UNLESS OTHERWISE SPECIFIED		SIGNATURES		DATE		MAGNETIC COMPONENTS, INC.		DIV :	
ALL DIMENSIONS IN INCHES DO NOT SCALE DRAWING		DRAWN : <i>M. Sacketti</i>		01 OCT 10		TITLE		LOC : SCHILLER PK	
CHECK :		APPR : <i>M. Sacketti</i>		01 OCT 10		45/50W MARSHALL POWER			
FRACTIONS +/-		CAGE		50508		SIZE		PART No.	
.X = +/-		SCALE		NONE		A		40-18054	
.XX = +/-								REV	
.XXX = +/-								E	
ANGLES = +/-								SHEET : 1 OF 2	

This drawing is the property of Magnetic Components, Inc. and shall not be reproduced, in whole or in part, without the written permission of Magnetic Components, Inc.



UNLESS OTHERWISE SPECIFIED	SIGNATURES		DATE		MAGNETIC COMPONENTS, INC.		DIV :		
	DRAWN : <i>MJ</i>		01 OCT 10		TITLE		LOC : SCHILLER PK		
ALL DIMENSIONS IN INCHES DO NOT SCALE DRAWING	CHECK :				45/50W MARSHALL POWER				
FRACTIONS +/-	APPR : <i>M. Sacketa</i>		01 OCT 10		CAGE	50508	SIZE	PART No.	REV
.X = +/-							A	40-18054	E
.XX = +/-					SCALE	NONE			
.XXX = +/-					SHEET : 2 OF 2				
ANGLES = +/-									