

4

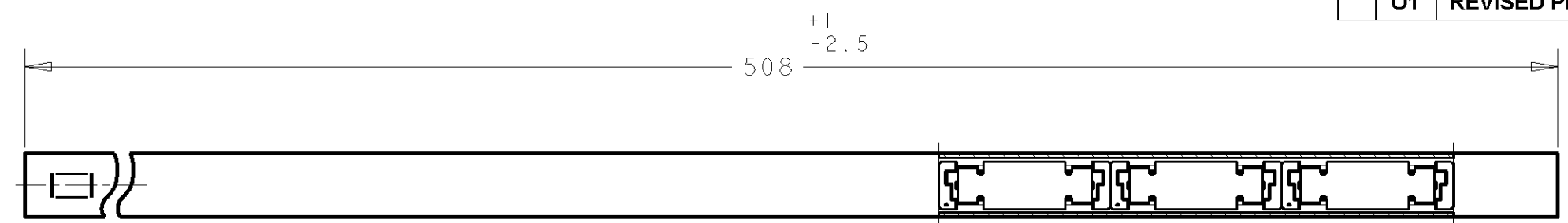
3

2

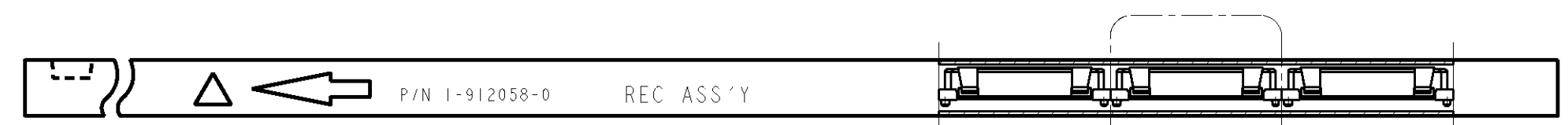
1

THIS DRAWING IS UNPUBLISHED. RELEASED FOR PUBLICATION .19 .  
 © COPYRIGHT 19 BY AMP INCORPORATED. ALL RIGHTS RESERVED.

LOC	DIST	REVISIONS			
P	LTR	DESCRIPTION	DATE	DWN	APVD
DY	-	O1 REVISED PER ECO-10-000445	11JAN10	KK	AEG

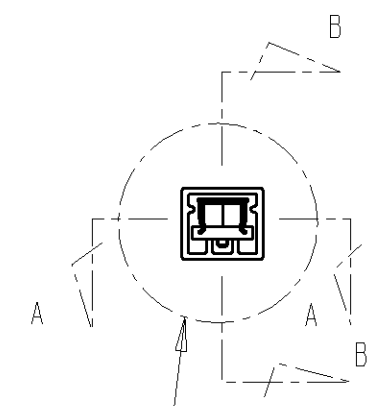


SECT A-A

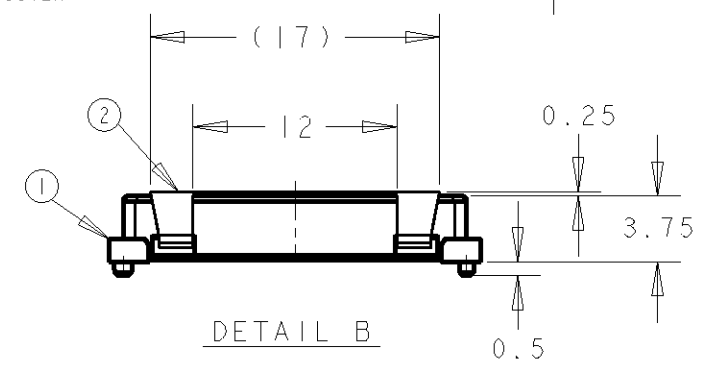
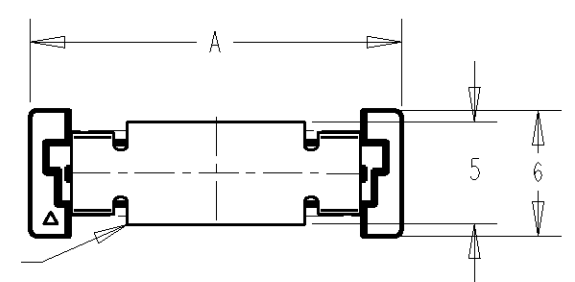


DETAIL B

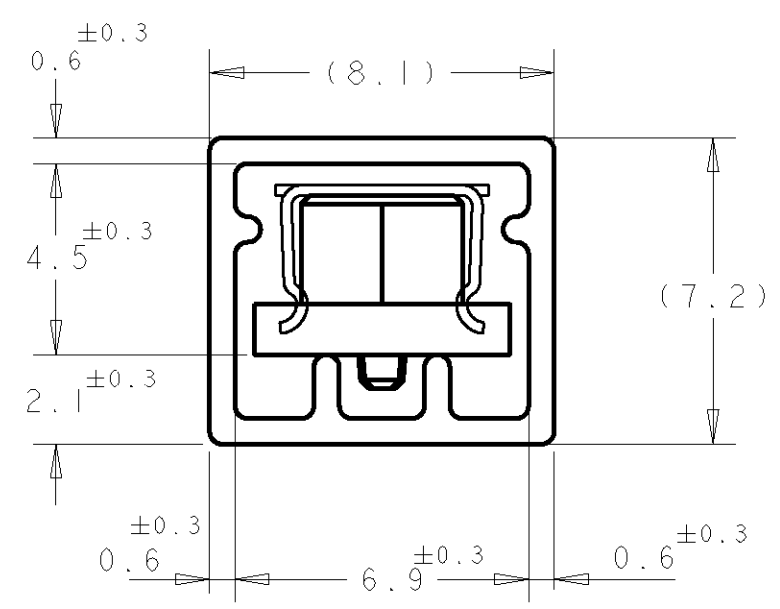
SECT B-B



DETAIL A



DETAIL B



DETAIL A

1 OBSOLETE

1 OBSOLETE

1 OBSOLETE PARTS: OBSOLETE CIS STREAMLINING PER D.RENAUD/D.SINISI

QTY	HEIGHT TYPE	A	CONN P/N	POS.	PART NO.
5		85.8	1-	-0	200
6		77.8		-9	180
6		69.8		-8	160
7		61.8		-6	140
8		53.8		-5	120
10		45.8		-4	100
12		37.8		-3	80
16		29.8		-2	60
22	5H	21.8	5177983-1		40

<small>THIS DRAWING IS A CONTROLLED DOCUMENT FOR AMP INCORPORATED. IT IS SUBJECT TO CHANGE AND THE CONTROLLING ENGINEERING ORGANIZATION SHOULD BE CONTACTED FOR THE LATEST REVISION.</small>		DWN 14SEP04 FLORENCE TAN CHK ERIC TNG APVD ERIC TNG PRODUCT SPEC - APPLICATION SPEC - WEIGHT -	<b>tyco</b> Tyco Electronics <b>Electronics</b> Singapore Pte. Ltd.
DIMENSIONS: mm	TOLERANCES UNLESS OTHERWISE SPECIFIED: 0 PLC ±- 1 PLC ±0.20 2 PLC ±0.25 3 PLC ±0.30 4 PLC ±- ANGLES ±3°	NAME REC A'SSY WITH STEEL COVER (TUBE PACK) FH 0.8mm PITCH B-T-B CONNECTOR 5H TYPE	SIZE A3 CAGE CODE 00779 DRAWING NO. C-5179229
MATERIAL -	FINISH -	CUSTOMER DRAWING	SCALE - SHEET   OF   REV O1