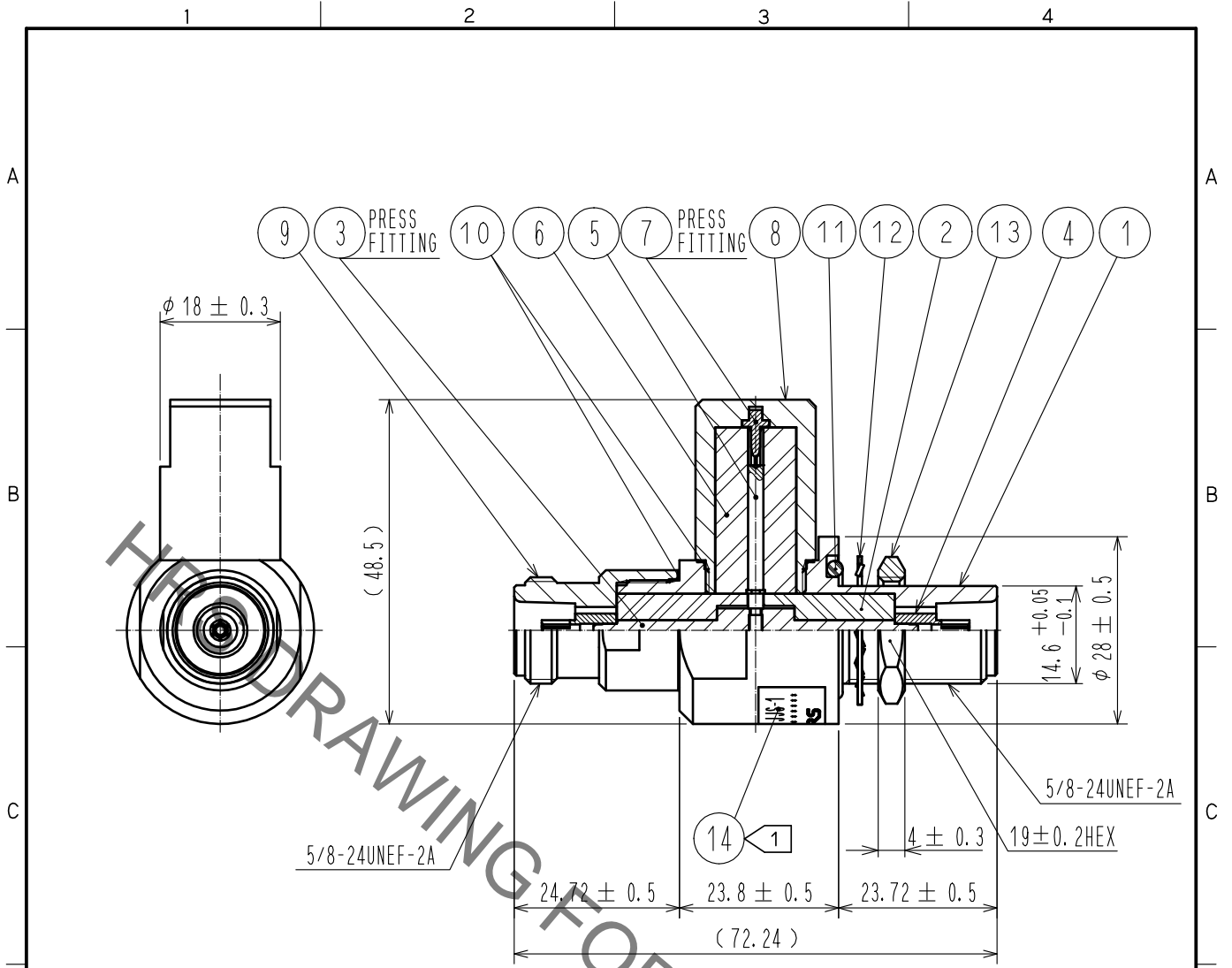


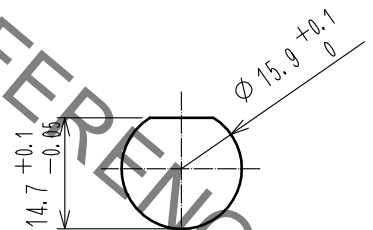
May.1.2023 Copyright 2023 HIROSE ELECTRIC CO., LTD. All Rights Reserved.  
In case of consideration for using Automotive equipment / device which demand high reliability, kindly contact our sales window correspondents.



注 1 Indication of label.  
 ・ CP-N-JJS-1  
 ・ S.NO. \*\*\*\*\*  
 ・ HRS

2. Maximum panel thickness is 7mm.  
 Recommended dimension of panel cutout is shown in the right drawing.  
 Do not leave any scratches on the surface of a panel, which O-ring of Ref. no. of 11 contacts.
3. If an O-ring came off a groove of a device during transport, please put it back in place and use the device.

RECOMMENDED PANEL CUTOUT



RoHS COMPLIANT

7	BRASS	GOLD PLATING	14		LABEL
6	PTFE		13	BRASS	NICKEL PLATING
5	PHOSPHOR BRONZE	GOLD PLATING	12	STAINLESS STEEL	PASSIVATE
4	BERYLLIUM COPPER	GOLD PLATING	11	SILICONE RUBBER	
3	BRASS	GOLD PLATING	10	SILICONE RUBBER	
2	PTFE		9	BRASS	NICKEL PLATING
1	BRASS	NICKEL PLATING	8	BRASS	NICKEL PLATING
NO.	MATERIAL	FINISH . REMARKS	NO.	MATERIAL	FINISH . REMARKS

UNITS mm	SCALE 1 : 1	COUNT	DESCRIPTION OF REVISIONS	DESIGNED	CHECKED	DATE
HIROSE ELECTRIC CO., LTD.			APPROVED : KY. SHIMIZU 16.03.11 CHECKED : TO. KATAYAMA 16.03.10 DESIGNED : YI. FUNADA 16.03.09 DRAWN : YI. FUNADA 16.03.09	DRAWING NO. EDC-178986-00-00 PART NO. CP-N-JJS-1 CODE NO. CL355-0134-0-00	1/1	