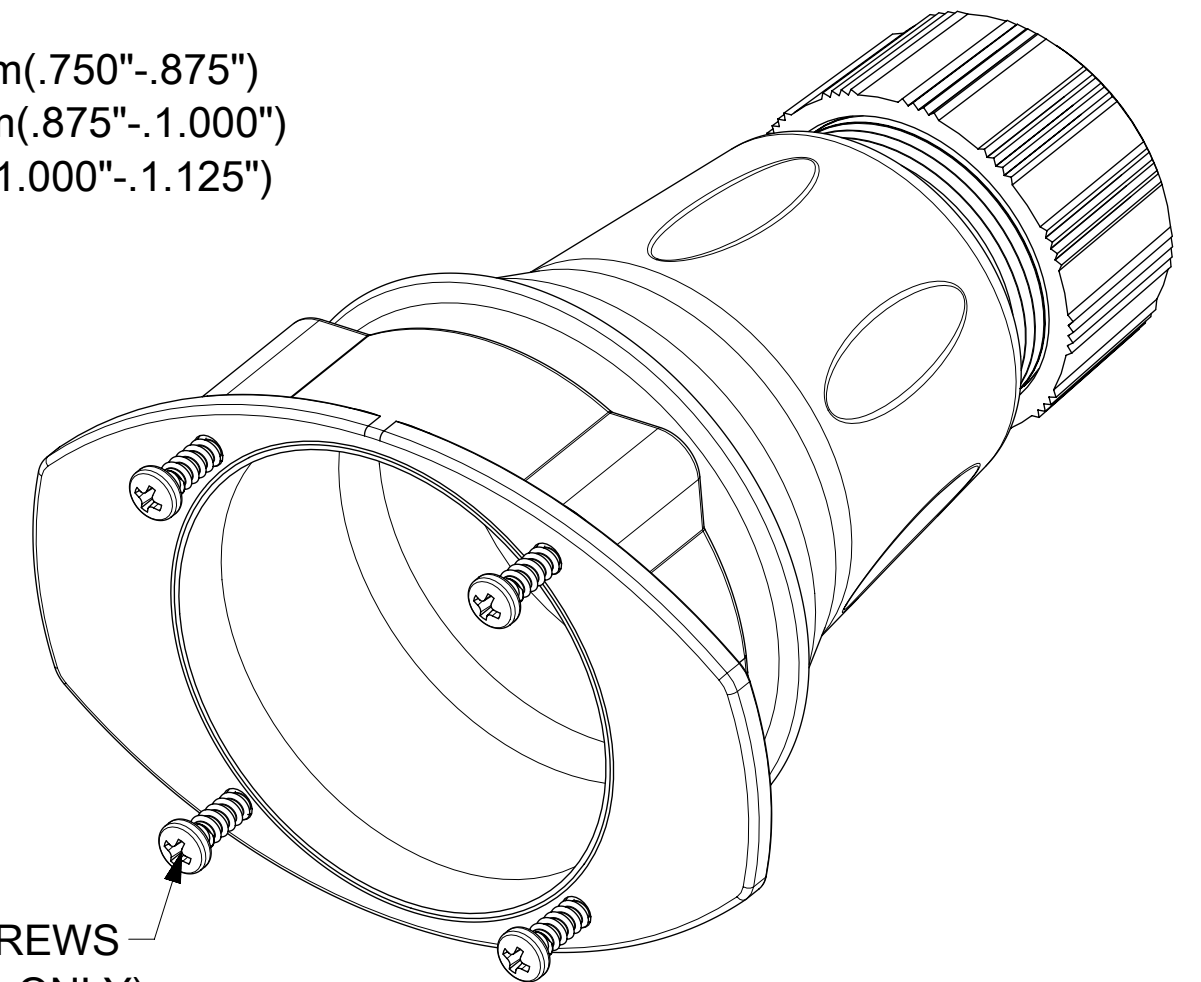
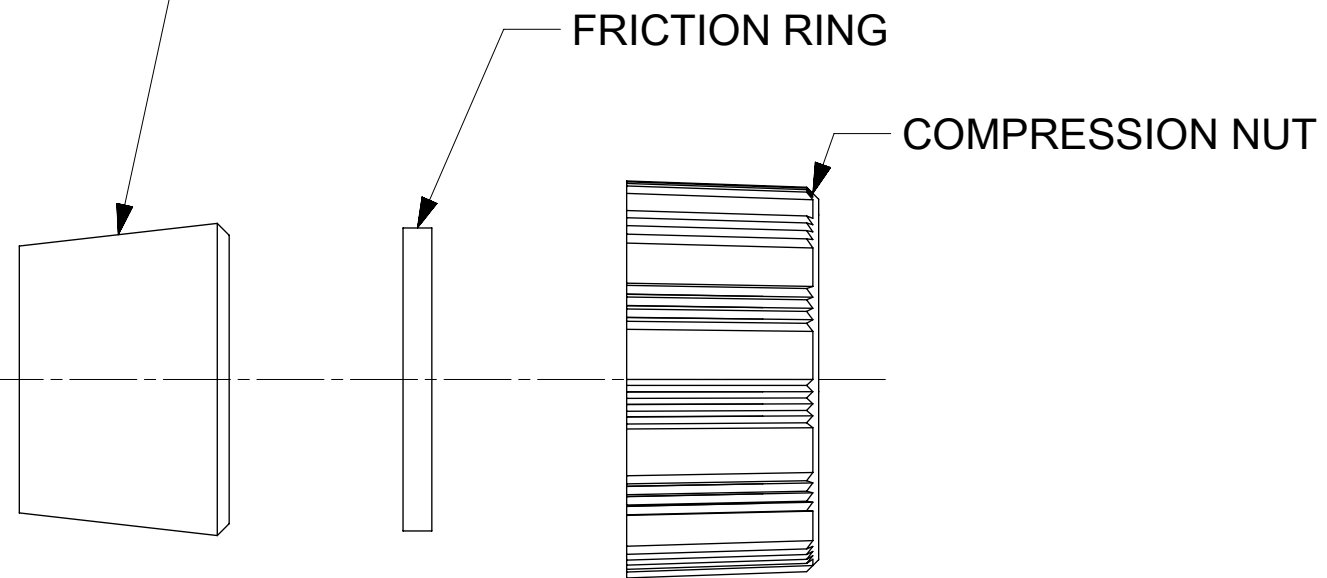
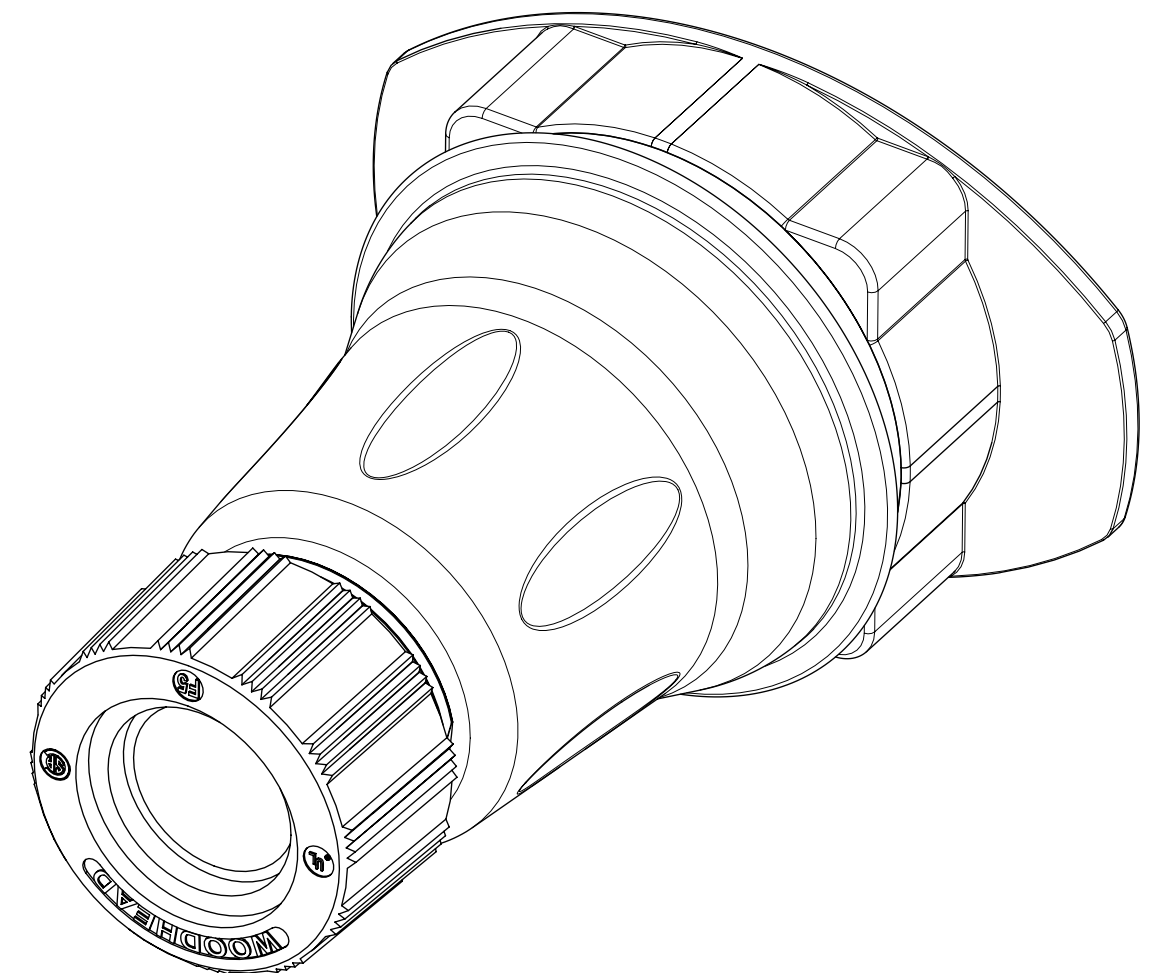
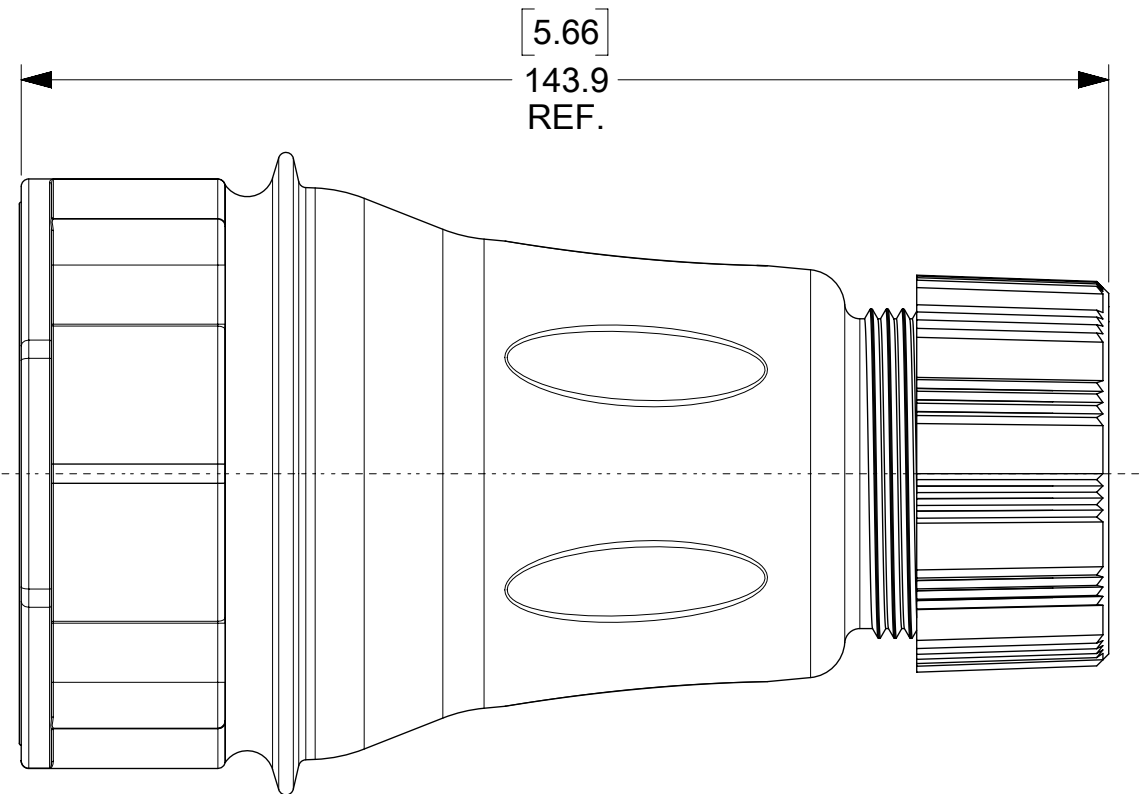
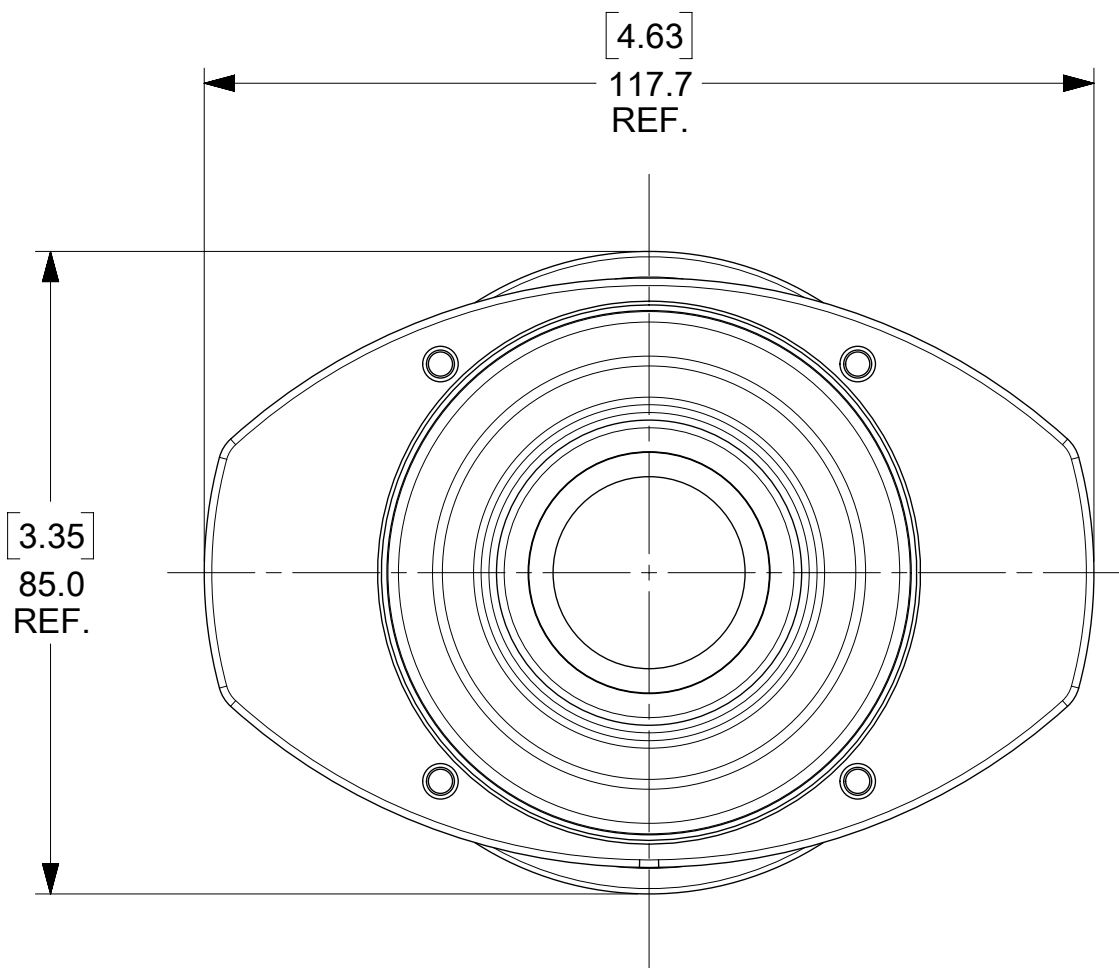


GROMMET
 1301800308, ORANGE, CABLE DIAMETER RANGE 19.05mm-22.25mm (.750"-.875")
 1301800309, YELLOW, CABLE DIAMETER RANGE 22.23mm-25.40mm (.875"-.1.000")
 1301800310, BLACK, CABLE DIAMETER RANGE 25.40mm-28.57mm (1.000"-.1.125")



SELF TAPPING SCREWS
 (SHOWN FOR REF. ONLY)



NOTES:

- MATERIAL:
 HANDLE - GREY PBT
 GROMMET - RUBBER
 FRICTION RING - NATURAL POLYETHYLENE
 COMPRESSION NUT - BLACK PBT
 SELF TAPPING SCREWS (TO ASSEMBLE TO DEVICE) - STAINLESS STEEL
- AMBIENT OPERATING TEMPERATURE: -25°C (-13°F) TO 60°C (140°F)
 (WITH MAX. 30°C RISE ABOVE AMBIENT)

THIS DRAWING CONTAINS INFORMATION THAT IS PROPRIETARY TO MOLEX ELECTRONIC TECHNOLOGIES, LLC AND SHOULD NOT BE USED WITHOUT WRITTEN PERMISSION									
DIMENSION UNITS		SCALE		CURRENT REV DESC: GENERAL MARKET RELEASE					
MM/INCH		1:1							
GENERAL TOLERANCES (UNLESS SPECIFIED)				EC NO: 674097		2021/08/17		60A ARC ARREST MAX-LOC HANDLE W/DRAWPLAT	
4 PLACES		±		DRWN: MJANTELEZIO		2021/08/17		PRODUCT CUSTOMER DRAWING	
3 PLACES		±		CHK'D: WLEUNG		2021/08/17		DOCUMENT NUMBER	
2 PLACES		±		APPR: WLEUNG		2021/08/17		1122176001	
1 PLACE		±		INITIAL REVISION:				DOC TYPE	
0 PLACES		±		DRWN: VBASUTHKARP		2017/09/06		PSD	
ANGULAR TOL		± °		APPR: JFMURPHY		2020/11/17		000	
DRAFT WHERE APPLICABLE MUST REMAIN WITHIN DIMENSIONS		THIRD ANGLE PROJECTION		DRAWING		SERIES		SHEET NUMBER	
				C-SIZE		112217		1 OF 1	
MATERIAL NUMBER		CUSTOMER		SERIES		DRAWING		SHEET NUMBER	
1122176001		GENERAL MARKET		112217		C-SIZE		1 OF 1	

DOCUMENT STATUS	P1	RELEASE DATE	2021/08/17	21:15:14
-----------------	----	--------------	------------	----------