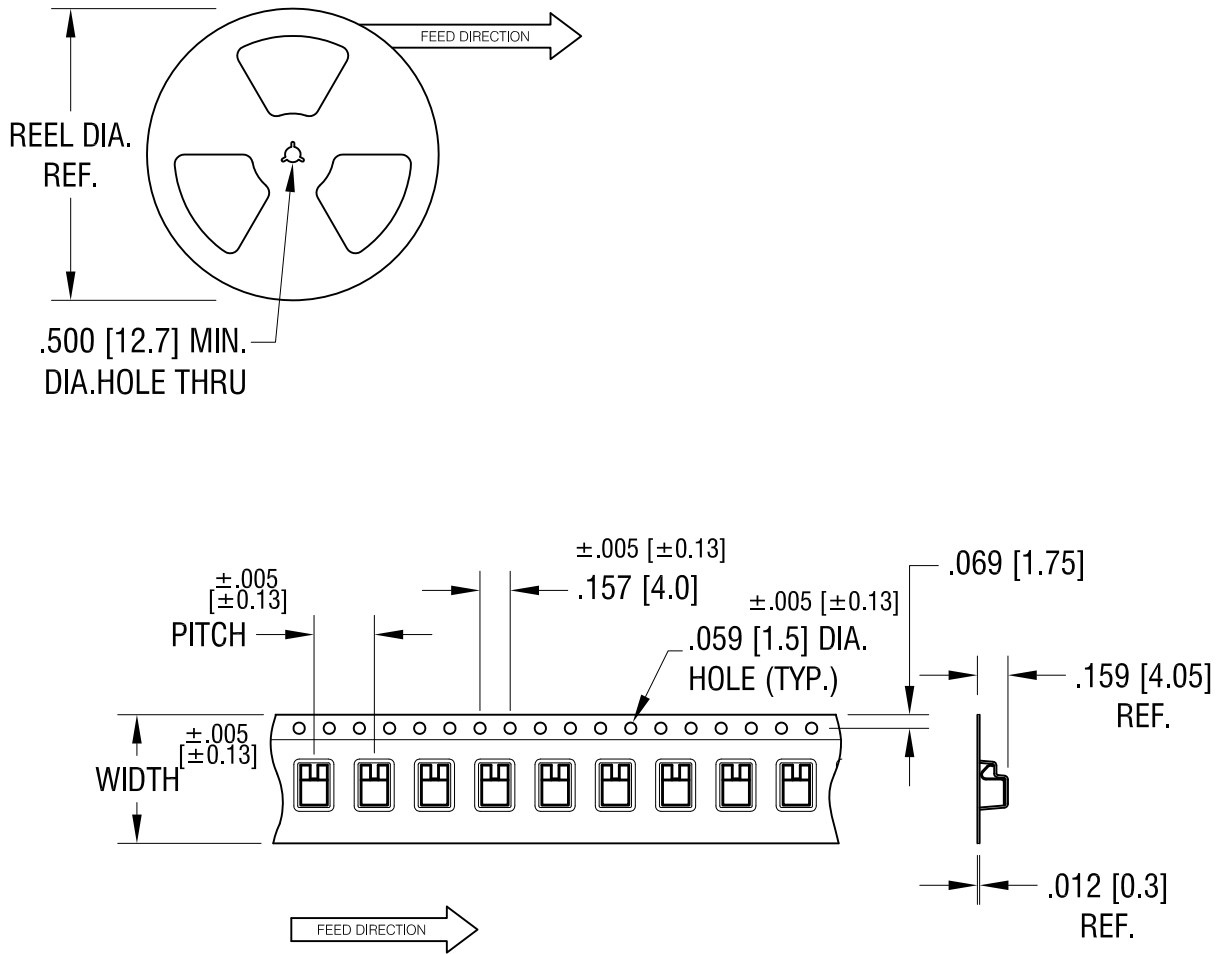


THIS DOCUMENT IS THE PROPERTY OF KEYSTONE ELECTRONICS CORP. AND SHALL NOT BE REPRODUCED, DISTRIBUTED OR USED AS A BASIS FOR MANUFACTURE WITHOUT PRIOR WRITTEN PERMISSION FROM KEYSTONE ELECTRONICS CORP.



**NOTE:**

**1. TAPE AND REEL SPECIFICATIONS:**

TAPE: MAT'L - ALL CONDUCTIVE POLYSTYRENE CARRIER

ANSI/EIA-481 STANDARD, 16 MM WIDE; 8 MM PITCH

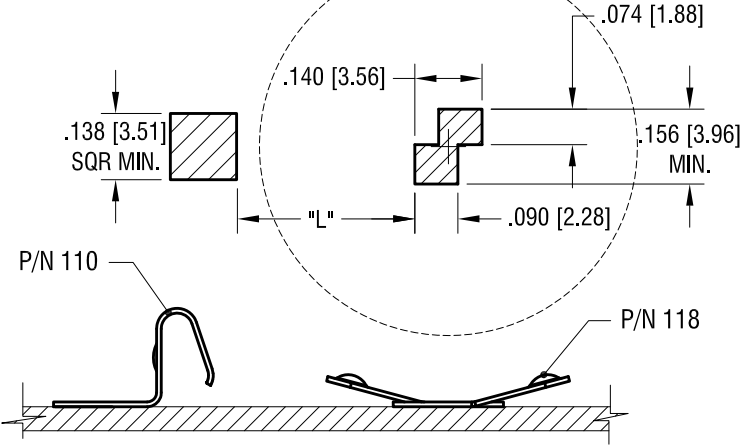
REEL: 13.0 [1330] DIA. 2000 PIECES OF P/N 110 REV. E PER REEL.

12.11.14	CHANGE AS PER ECN 14-122	A
DATE	DESCRIPTION	REV.

<b>KEYSTONE ELECTRONICS CORP.</b>			
www.keyelco.com • ASTORIA, N.Y. 11105-2017 • Tel (718) 956-8900			
PART NAME		CONTACT ON TAPE AND REEL	
MATERIAL		AS NOTED	
FINISH		DRN BY	DATE
AS NOTED		HAMILTON	10.07.13
		APP'D	SCALE
		LN	N/A
TOLERANCES	INCH [MM]	CODE	DWG NO.
DECIMAL	±.010 [±0.25]	C	<b>110TR</b>
ANGULAR	± 1°		
UNLESS OTHERWISE SPECIFIED			

THIS DOCUMENT IS THE PROPERTY OF KEYSTONE ELECTRONICS CORP. AND SHALL NOT BE REPRODUCED, DISTRIBUTED OR USED AS A BASIS FOR MANUFACTURE WITHOUT PRIOR WRITTEN PERMISSION FROM KEYSTONE ELECTRONICS CORP.

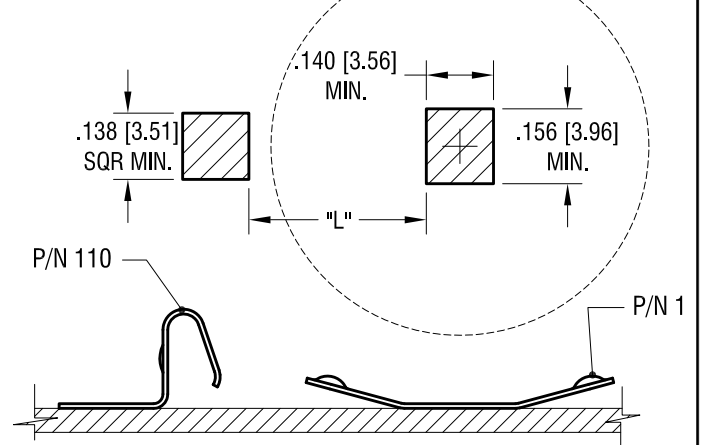
COIN CELL TO BE CENTERED ON NEGATIVE CONTACT



MTG LAY OUT WHEN USE WITH P/N 118

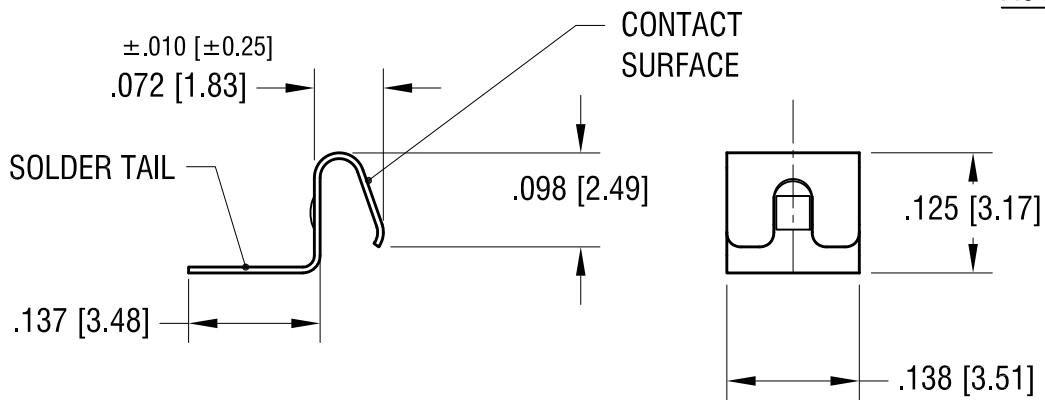
BATTERY DIA.	L
12mm	.213 [5.4]
16mm	.291 [7.4]

COIN CELL TO BE CENTERED ON NEGATIVE CONTACT



MTG LAY OUT WHEN USE WITH P/N 112

BATTERY DIA.	L
20mm	.370 [9.4]
23mm	.429 [10.9]
24mm	.448 [11.4]
30mm	.567 [14.4]



ACTUAL SIZE

DATE	DESCRIPTION	REV.
9.21.15	CHANGE AS PER ECN 15-106	F
12.11.14	CHANGE AS PER ECN14-120	E
9.30.14	CHANGE AS PER ECN14-105	D
7.24.14	CHANGE AS PER ECN14-076	C
1.29.14	CHANGE AS PER ECN14-011	B
12.02.13	CHANGE AS PER ECN 13-105	A

<b>KEYSTONE ELECTRONICS CORP.</b>		
www.keyelco.com • NEW HYDE PARK, NY 11040 • Tel (516) 328-7500		
PART NAME		
POSITIVE BATTERY CONTACT		
MATERIAL		
.006 [0.15] TH'K STAINLESS STEEL		
FINISH		DRN BY
GOLD PLATE		NT
		DATE
		10.07.13
		APP'D
		LN
		SCALE
		5X
TOLERANCES	INCH [MM]	CODE
DECIMAL	± .005 [± 0.13]	C
ANGULAR	± 1°	
UNLESS OTHERWISE SPECIFIED		
DWG NO.		<b>110</b>