

4

3

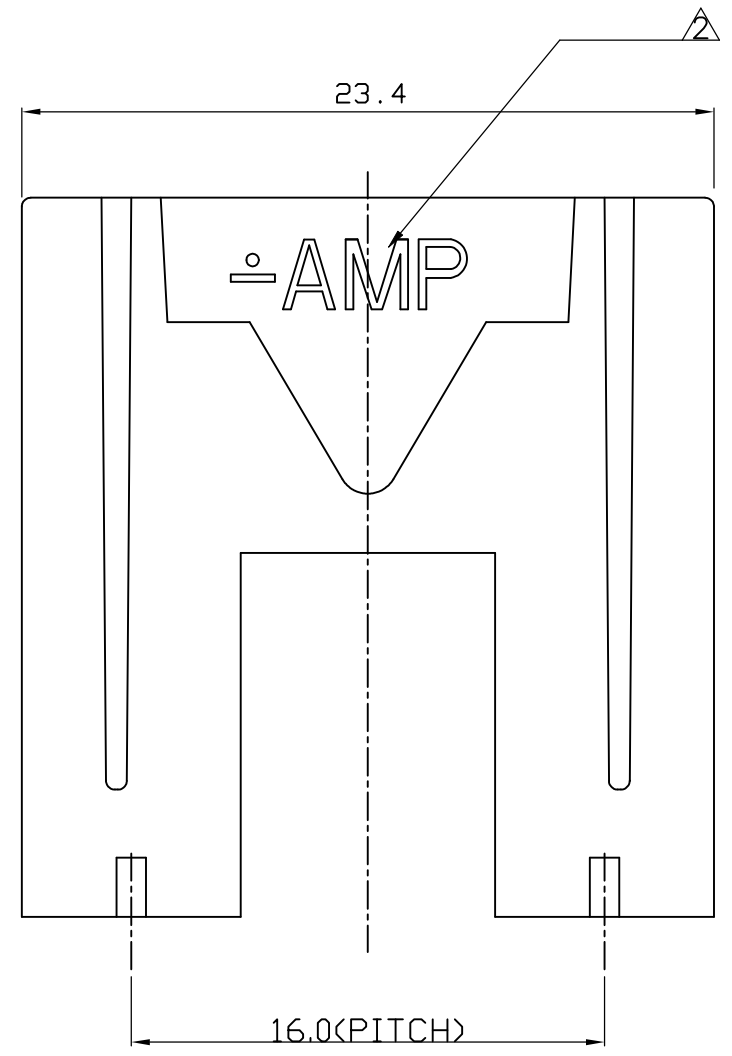
2

1

THIS DRAWING IS UNPUBLISHED. RELEASED FOR PUBLICATION

© COPYRIGHT BY TYCO ELECTRONICS CORPORATION. ALL RIGHTS RESERVED.

LOC	DIST	REVISIONS					
		P	LTR	DESCRIPTION	DATE	DWN	APVD
DS	-		A2	REVISED PER ECR-16-001910	22SEP'16	SC	BW
			A3	REVISED PER ECR-18-006574	30MAY'18	BH	RP
			A4	REVISED PER ECR-18-015822	22NOV'18	BH	E.W

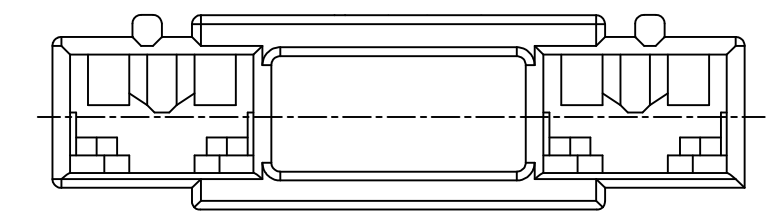
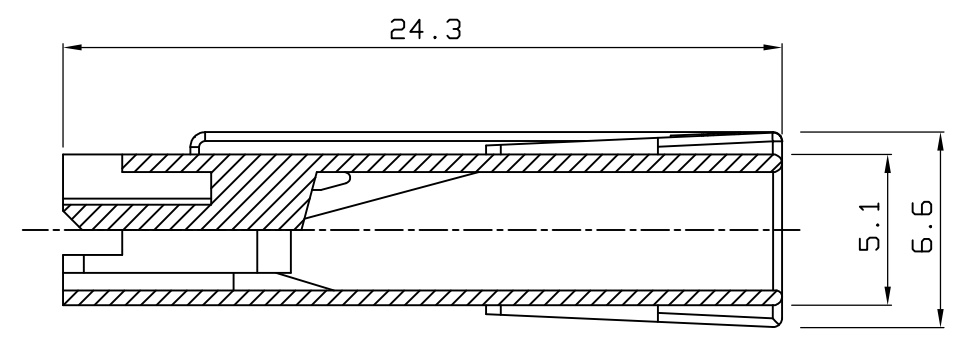
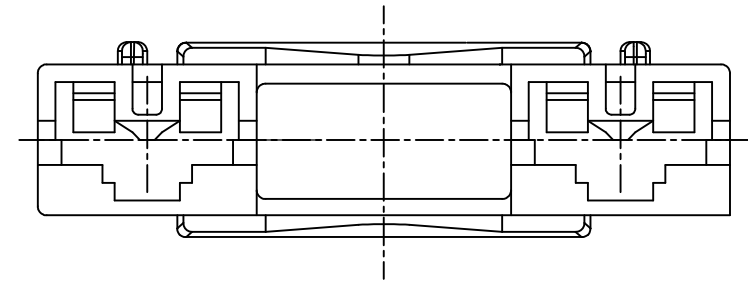


NOTES :
 1. APPLICABLE CONTACT P/N :
 170324, 170325, 170326
 A SEE TABLE
 B MATERIAL : PA66, UL94 V-0, GWIT 775°C

TABLE A

ID MARK	MANUFACTURING PLACE
◦AMP OR $\overset{\cdot}{\text{AMP}}$	Korea
◡AMP OR $\overset{\cdot\cdot}{\text{AMP}}$	Qingdao

PRELIMINARY		A	NATURAL	2-85092-1	
	3	NYLON66(V-0)	YELLOW	1-85092-4	OBSOLETE
	2	NYLON66(V-0)	NATURAL	1-85092-1	
	1	NYLON66(V-2)	NATURAL	85092-1	
		MAT'L	COLOR	PART NO	



SECTION A-A

<small>THIS DRAWING IS A CONTROLLED DOCUMENT FOR TYCO ELECTRONICS CORPORATION IT IS SUBJECT TO CHANGE AND THE CONTROLLING ENGINEERING ORGANIZATION SHOULD BE CONTACTED FOR THE LATEST REVISION.</small>		DWN BH CHO CHK BW KANG APVD JK SONG PRODUCT SPEC 108-5126 APPLICATION SPEC -		Tyco Electronics AMP KOREA, kyungsan, korea	
DIMENSIONS: MM 		TOLERANCES UNLESS OTHERWISE SPECIFIED: 0 PLC ± 1 PLC ± 2 PLC ± 0.2 3 PLC ± 4 PLC ± ANGLES ±		NAME 187 SERIES POSITIVE LOCK (MK II) 2P REC HSG	
MATERIAL SEE TABLE		FINISH -		SIZE A3	
		WEIGHT -		CAGE CODE 00779	
		CUSTOMER DRAWING		DRAWING NO 85092	
		SCALE 4/1		SHEET 1 OF 1	
		RESTRICTED TO -		REV A4	