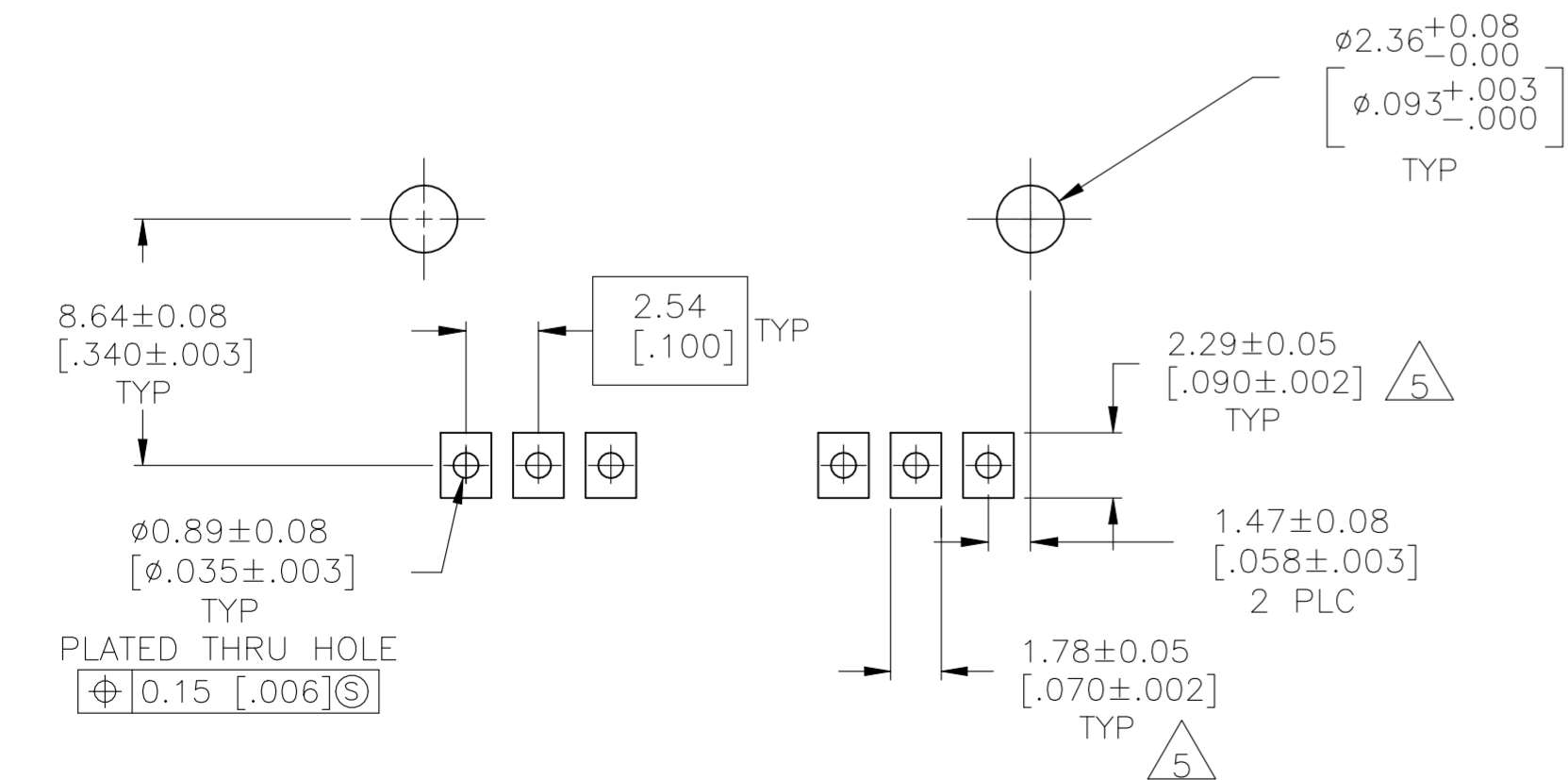
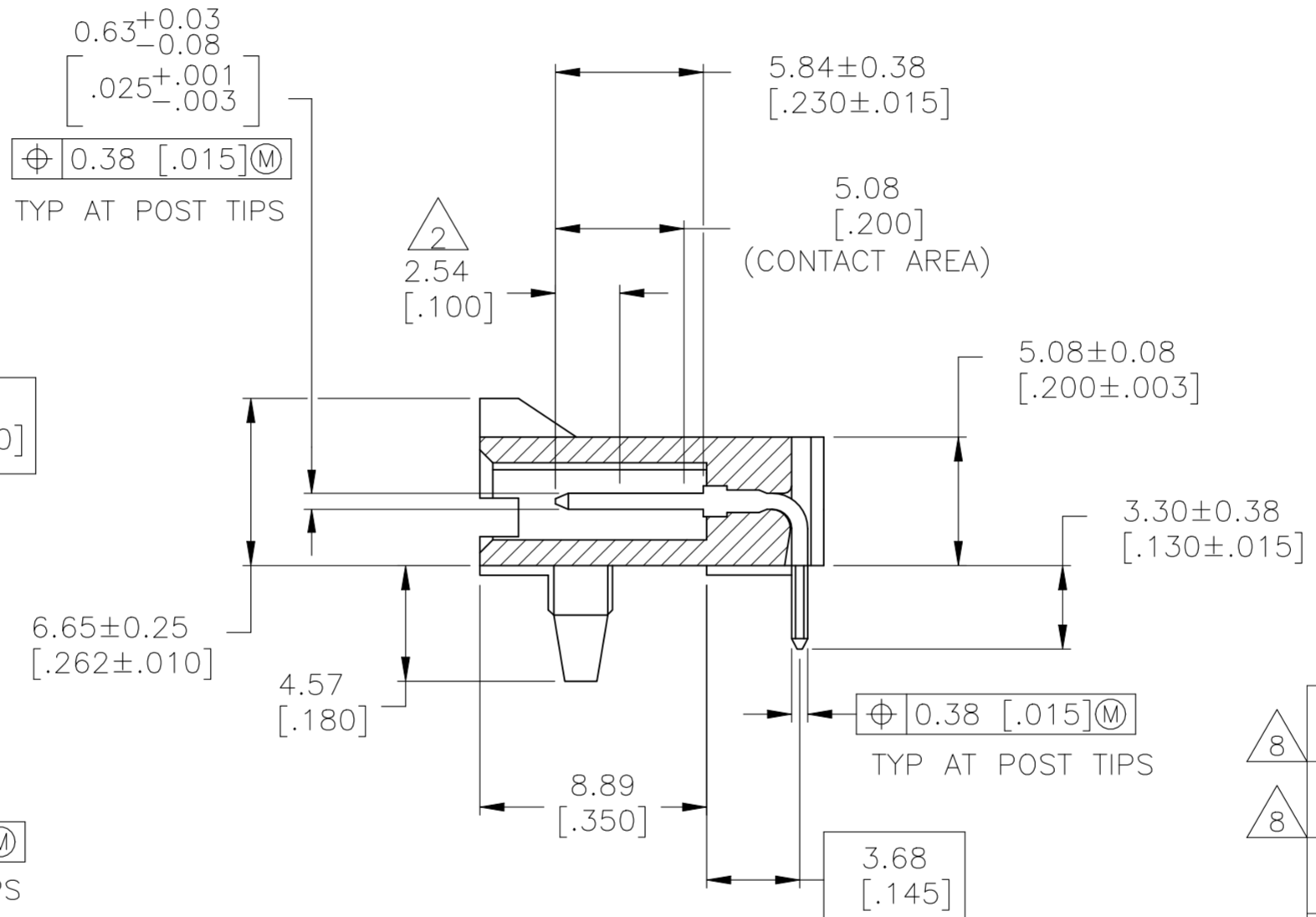
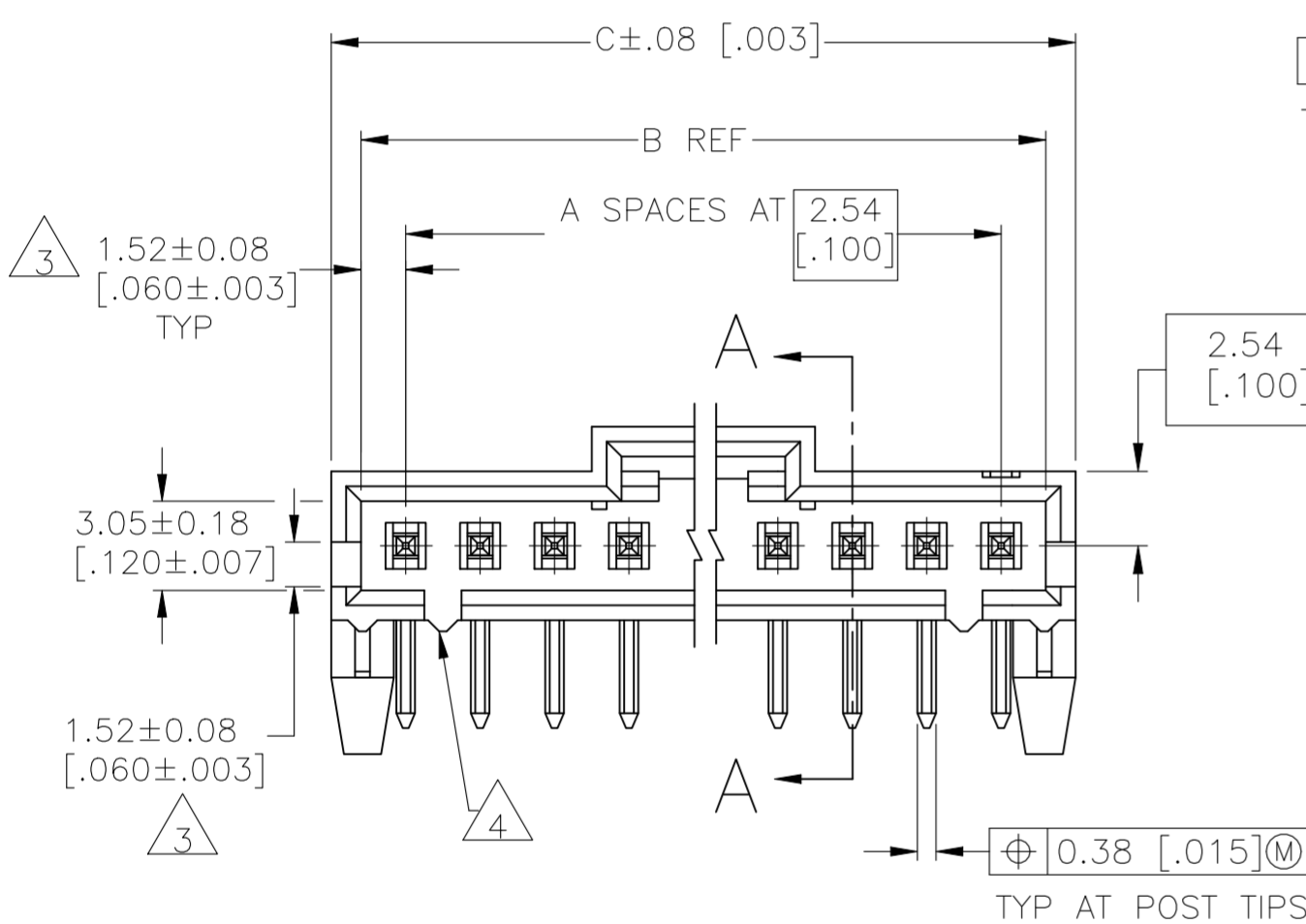
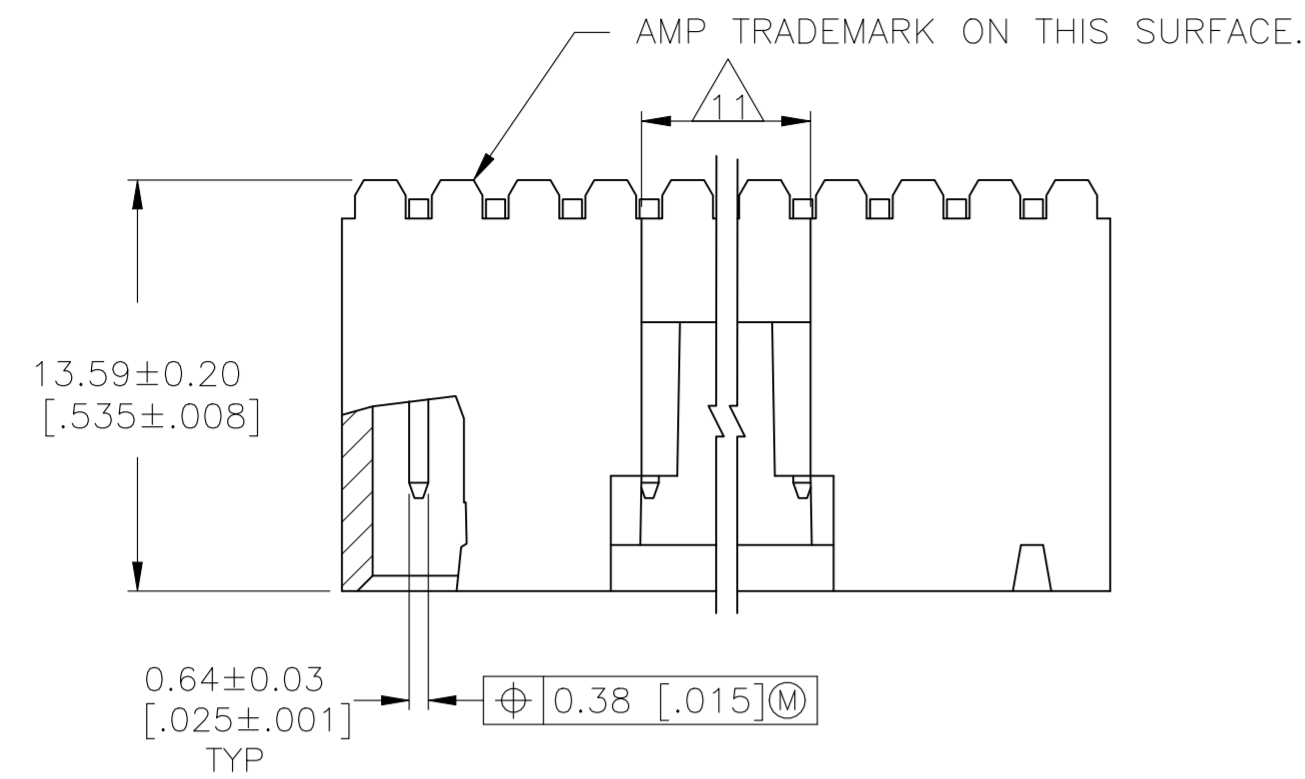


| REVISIONS |     |                           |           |     |      |
|-----------|-----|---------------------------|-----------|-----|------|
| P         | LTR | DESCRIPTION               | DATE      | DWN | APVD |
| J         |     | REVISED PER ECO-20-001327 | 05JUN2020 | SB  | JO   |



RECOMMENDED PC BOARD MOUNTING DIMENSIONS  
RECOMMENDED STENCIL THICKNESS = .25[.010]

- 1 .00076[.000030] GOLD IN THE CONTACT AREA, .00254[.000100]-.0051[.000200] MATTE TIN-LEAD ON THE SOLDER TAIL, ALL OVER .000050 NICKEL
- 2 POINT OF MEASUREMENT FOR PLATING THICKNESS
- 3 THE NOTED DIMENSIONS APPLY FROM THE BASIC DIMENSION LINE (NOT THE POST CENTERLINE) TO THE SURFACE INDICATED
- 4 ON ASSEMBLIES WITH FOUR OR MORE POSITIONS, TWO POLARIZATION SLOTS. ON ASSEMBLIES WITH TWO OR THREE POSITIONS, ONE POLARIZATION SLOTS.
- 5 DIMENSION NOTED ARE FOR SOLDER STENCIL LAYOUT FOR USE WITH A 1.57±0.20[.062±.008] THICK PRINTED CIRCUIT BOARD.
- 6. PARTS ARE PACKAGED IN GANG OF TUBES
- 7 HOUSING: LCP, COLOR: BLACK. POST: BRASS
- 8 PRELIMINARY PART - NOT RELEASED FOR PRODUCTION.
- 9 .00076[.000030] GOLD IN THE CONTACT AREA, .00254[.000100]-.0051[.000200] MATTE TIN ON THE SOLDER TAIL, ALL OVER .000050 NICKEL
- 10 OBSOLETE PARTS: OBSOLETE CIS STREAMLINING PER D.RENAUD/D.SINISI
- 11 0.25 [.010] RECESS PERMISSIBLE IN THIS AREA FOR MOLD SHUT OFF

|    |   |               |               |    |             |            |
|----|---|---------------|---------------|----|-------------|------------|
| 8  | 9 | 40.51 [1.595] | 38.61 [1.520] | 14 | 15          | 6-104681-4 |
| 8  | 9 | 22.73 [.895]  | 20.83 [.820]  | 7  | 8           | 5-104681-7 |
|    | 9 | 10.03 [.395]  | 8.13 [.320]   | 2  | 3           | 5-104681-2 |
|    | 9 | 7.49 [.295]   | 5.59 [.220]   | 1  | 2           | 5-104681-1 |
| 8  | 1 | 40.51 [1.595] | 38.61 [1.520] | 14 | 15          | 1-104681-4 |
| 8  | 1 | 22.73 [.895]  | 20.83 [.820]  | 7  | 8           | 104681-7   |
| 10 | 1 | 10.03 [.395]  | 8.13 [.320]   | 2  | 3           | 104681-2   |
|    | 1 | 7.49 [.295]   | 5.59 [.220]   | 1  | 2           | 104681-1   |
|    |   | PLATING       | C B A         |    | NO. OF POSN | PART NO.   |

THIS DRAWING IS A CONTROLLED DOCUMENT.

|                  |          |         |
|------------------|----------|---------|
| DWN              | M.BINNER | 28FEB01 |
| CHK              | K.WRIGHT | 07MAR01 |
| APVD             | K.WRIGHT | 07MAR01 |
| PRODUCT SPEC     |          |         |
| APPLICATION SPEC |          |         |
| WEIGHT           | -        |         |
| CUSTOMER DRAWING |          |         |

**TE** TE Connectivity

HDR ASSY, AMPMODU MTE, RTANG, SINGLE ROW, .100, .025 SQ POST, WITH LATCH & HOLD DOWNS

|       |     |           |        |            |          |               |   |
|-------|-----|-----------|--------|------------|----------|---------------|---|
| SIZE  | A2  | CAGE CODE | 00779  | DRAWING NO | C=104681 | RESTRICTED TO | - |
| SCALE | 4:1 | SHEET     | 1 OF 1 | REV        | J        |               |   |