



Tango 52

450MHz 79mm Length Panel Mount Antenna



Key Features

- Robust panel mount design
- 450MHz
- Peak Gain 2dBi

General Description

The Tango 52 is strong short antenna ideally suited to panel mounting or remotely from the device on a bracket to maximise signal strength.

For its comparatively small size the antenna has a good peak gain of 2dBi and omni directional radiation.

Supplied as standard with an SMA male connector and 2m of cable. The antenna can be supplied with alternative cable lengths or connector types for short run volume orders.

Additional Considerations

- Ideal for meter panels or bracket mounting





Tango 52

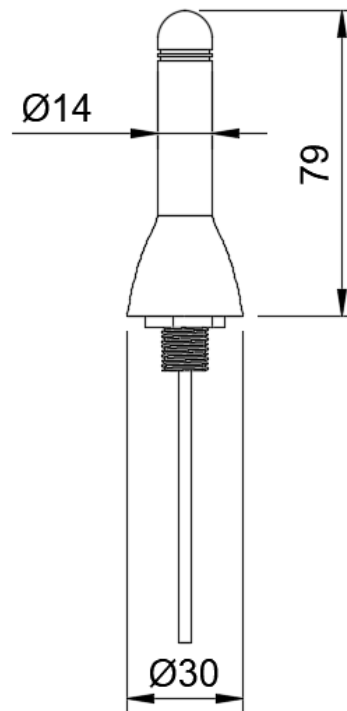
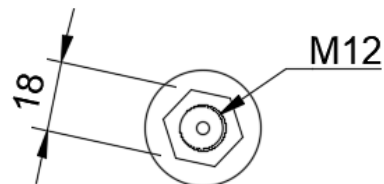
450MHz 79mm Length Panel Mount Antenna

Electrical Specifications

Temperature Range:	-30°C - +75°C
Impedance:	50 Ohm
Peak Gain:	2dBi
VSWR:	<1.5:1
Frequency Range:	400-480MHz
Polarization:	Vertical
Max Input Power:	50W

Mechanical Specifications

Dimensions:	L79mm x 30mm Ø
Weight:	50g
Connector:	SMA
Cable:	RG174
Mounting Method:	M12 14mm Stud
Max recommended material thickness	7mm

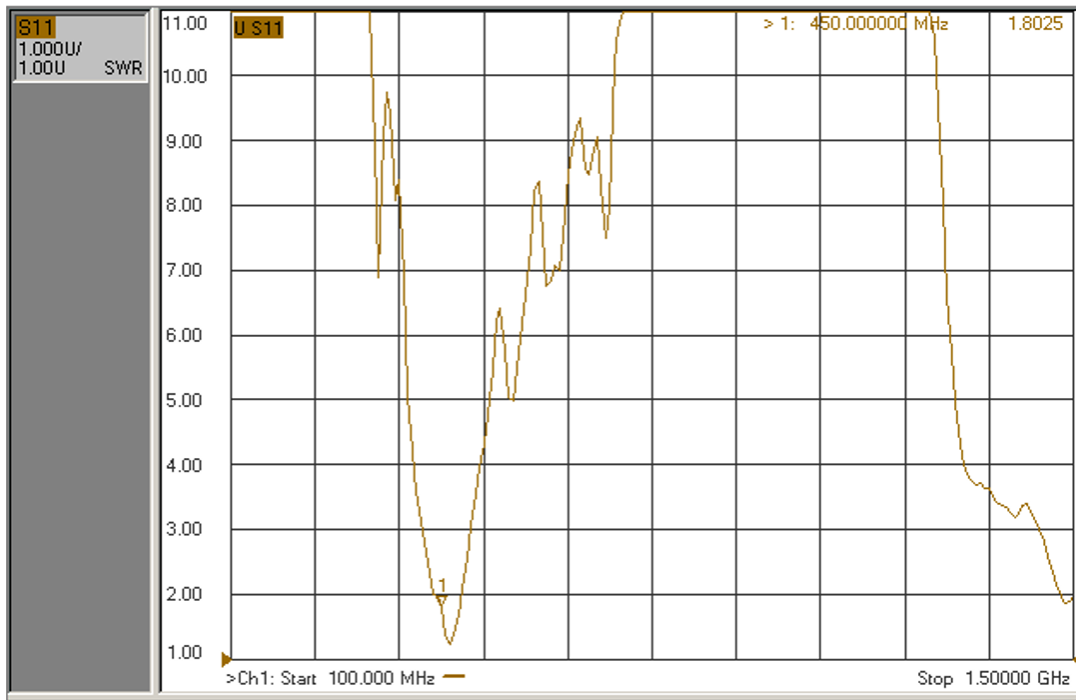




Tango 52

450MHz 79mm Length Panel Mount Antenna

VSWR



Ordering Details

Part Number	Description
TANGO52/0.5M/SMAM/S/S/17	450MHz 79mm length panel mount antenna SMA Male Connector 0.5m cable
TANGO52/1.0M/SMAM/S/S/17	450MHz 79mm length panel mount antenna SMA Male Connector 1.0m cable
TANGO52/2.0M/SMAM/S/S/17	450MHz 79mm length panel mount antenna SMA Male Connector 2.0m cable