

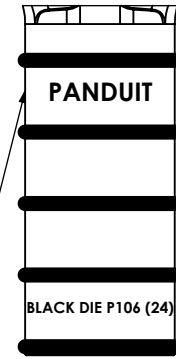
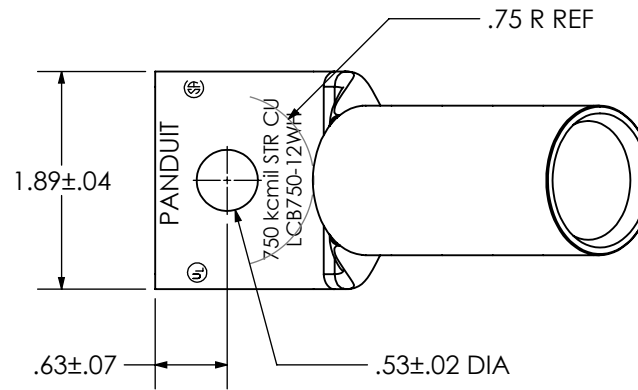
THIS COPY IS PROVIDED ON A RESTRICTED BASIS AND IS NOT TO BE USED IN ANY WAY DETRIMENTAL TO THE INTERESTS OF PANDUIT CORP.

Material	High Conductivity Seamless Copper Tube
Plating	Electro-Tin
Wire Size	750 kcmil
Wire Type	Stranded Copper; Class B: Compact, Compressed or Concentric, Class C: Concentric
Wire Strip Length	2-15/16 in.
Stud Size	1/2 in.
UL Listed Wire Connector	Yes, for applications up to 35kv. Consult cable manufacturer for voltage stress relief instructions with applications greater than 2000 volts.
UL Temperature Rating	90° C
C.S.A Certified Wire Connector	Yes
Panduit Color Code on Barrel	BLACK
Panduit Die Index No. on Barrel	P106
Alternate Industry Die Index No. () on Barrel	(24)

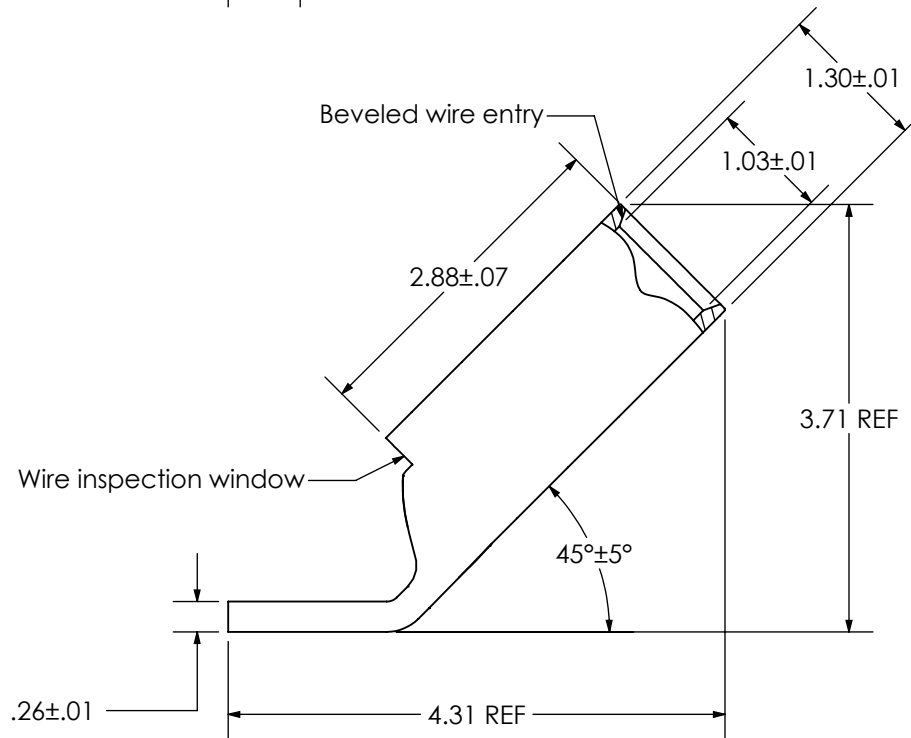


CERTIFIED

LISTED Wire Connector



Color coded barrel markings



00	4/17	JHNU	JHNU						
REV	DATE	BY	CHK	DESCRIPTION	ECN	-R	RGB	SCALE	DRAWING NO / CAD FILE

DRAWING RELEASED

021775

RGB RGB

N/A

DRAWING NO / CAD FILE

LCB750-12WH-CUST

PANDUIT CORP. TINLEY PARK, ILLINOIS

LCB750-12WH-6
Copper Lug - One-Hole, Long Barrel with Window, 45° Angle Tongue