

Mounting aid OMH-RLK29-HW

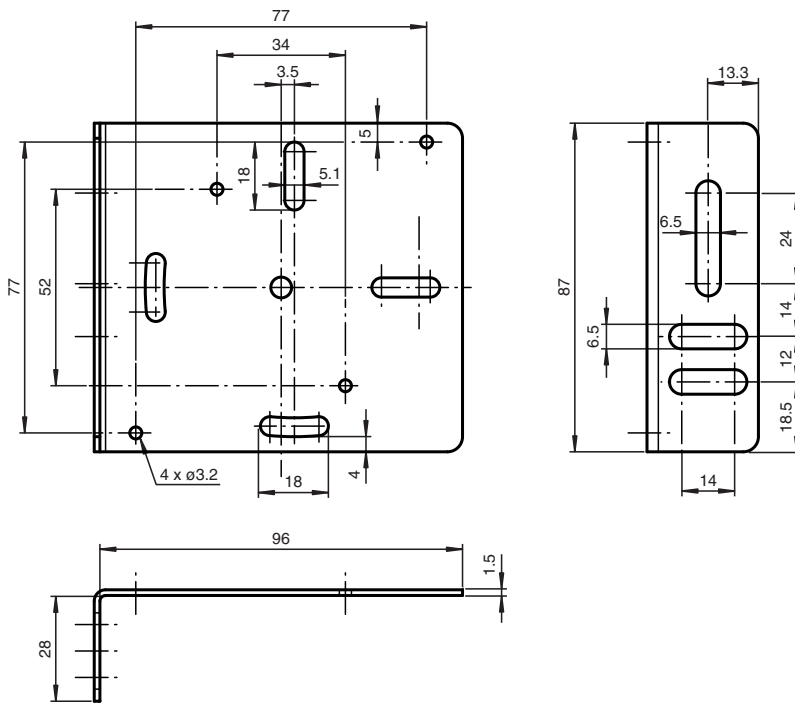


- Mounting bracket
- Simple and fast mounting

Mounting bracket for rear wall mounting



Dimensions



Technical Data

Mechanical specifications

Material	Stainless steel
Mass	approx. 150 g
Dimensions	87 mm x 97.5 mm x 29.5 mm
Suitable series	
Series	RL23 RL28 RL29 RL32
Reflector series	C110-2

Release date: 2020-03-20 Date of issue: 2020-06-29 Filename: 124291_eng.pdf

Refer to "General Notes Relating to Pepperl+Fuchs Product Information".

Pepperl+Fuchs Group
www.pepperl-fuchs.com

USA: +1 330 486 0001
fa-info@us.pepperl-fuchs.com

Germany: +49 621 776 1111
fa-info@de.pepperl-fuchs.com

Singapore: +65 6779 9091
fa-info@sg.pepperl-fuchs.com

PF PEPPERL+FUCHS