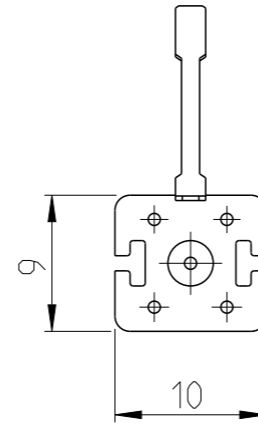
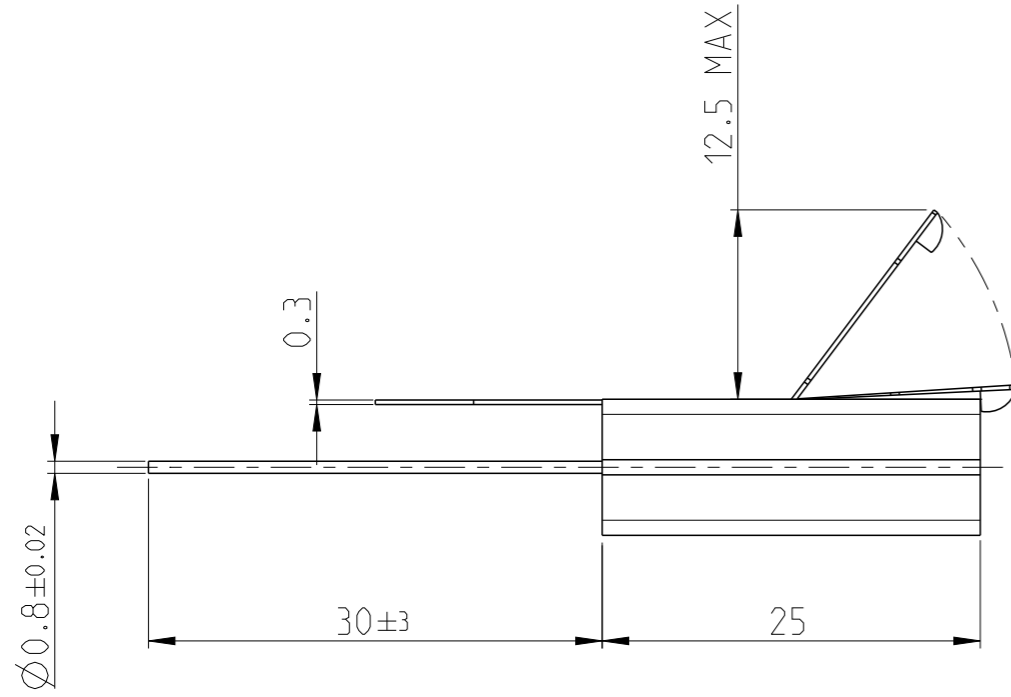
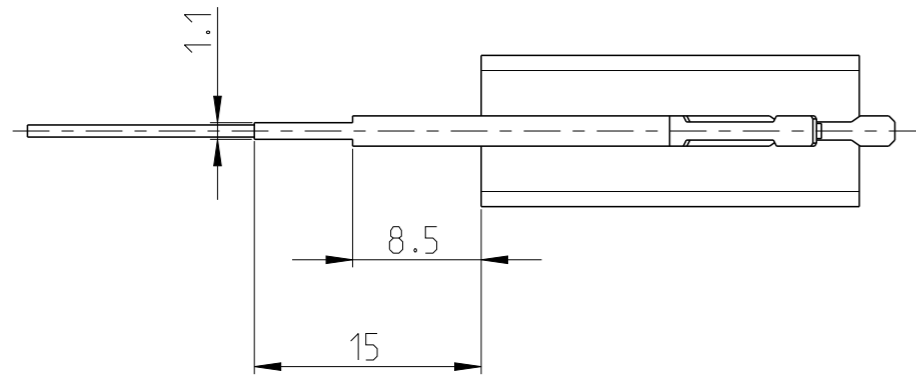


P	LTR	DESCRIPTION	DATE	DWN	APVD
	BA	NEW RELEASE	03AUG2010	PT	St.P
	BA1	CLARIFICATION NOTE ADDED	18APR2022	DM	AP

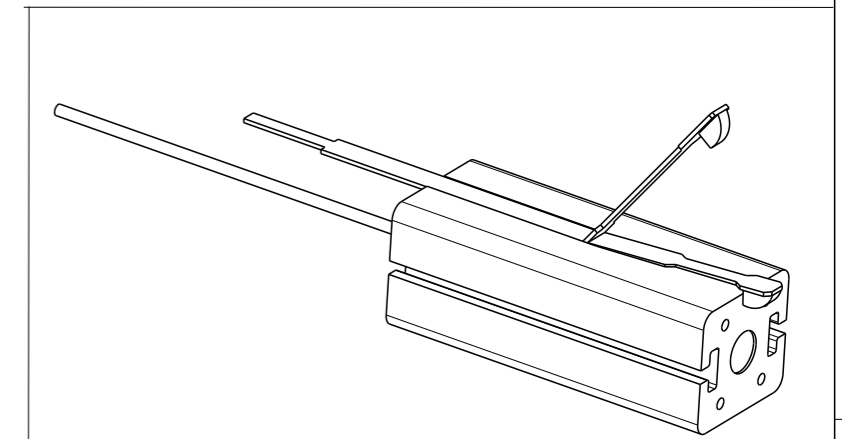


NOTES:

- FOR FURTHER INFORMATION SEE DATA SHEET FOR SERIES TYPE SBC(SQUARE CERAMIC), HIGH POWER RESISTORS
- THE HOLES AND FLUTES SHOWN IN THE CERAMIC CASING ARE PURELY FOR MOUNTING PURPOSES AND DO NOT IN ANY WAY AFFECT THE DISSIPATION CAPABILITIES OF THE RESISTOR. THEY CAN OFTEN BECOME BLOCKED DURING THE MANUFACTURING PROCESS. THIS WILL NOT AFFECT THE PERFORMANCE IN ANY WAY.



RoHS Compliant



THIS DRAWING IS A CONTROLLED DOCUMENT.		DWN PARUSURAM.T 03AUG2010														
DIMENSIONS: mm		CHK STEPHEN.P 03AUG2010														
TOLERANCES UNLESS OTHERWISE SPECIFIED:		APVD STEPHEN.P 03AUG2010	NAME HIGH POWER RESISTOR TYPE SBC (SQUARE CERAMIC) SERIES SBCLF4													
<table border="1"> <tr> <td>0 PLC</td> <td>±0.2</td> </tr> <tr> <td>1 PLC</td> <td>±0.1</td> </tr> <tr> <td>2 PLC</td> <td>±</td> </tr> <tr> <td>3 PLC</td> <td>±</td> </tr> <tr> <td>4 PLC</td> <td>±</td> </tr> <tr> <td>ANGLES</td> <td>±5°</td> </tr> </table>		0 PLC	±0.2	1 PLC	±0.1	2 PLC	±	3 PLC	±	4 PLC	±	ANGLES	±5°	PRODUCT SPEC -	RESTRICTED TO -	
0 PLC	±0.2															
1 PLC	±0.1															
2 PLC	±															
3 PLC	±															
4 PLC	±															
ANGLES	±5°															
MATERIAL -		FINISH -	APPLICATION SPEC -	SIZE A3												
		WEIGHT -	SCALE 2:1	CAGE CODE 00779												
		CUSTOMER DRAWING	DRAWING NO C-1676846	SHEET 1 OF 1												
				REV BA1												