



**BOM AND PIN OUT SHEET**

| ASSEMBLY DESCRIPTION                   | ASSEMBLY PART NUMBER | COMPONENT   |               |     |       |                 |          |           | BLOCKED TERMINALS  |    |    |    |    |    |    |    |    |    |    |    |    |    |    |    |   | STATUS | COMMENTS |    |   |    |    |   |   |
|--|----------------------|---|---------------|-----|-------|-----------------|----------|-----------|--|----|----|----|----|----|----|----|----|----|----|----|----|----|----|----|---|--------|----------|----|---|----|----|---|---|
|  |                      | THE PRESENCE OF AN ABBREVIATION INDICATES THE PRESENCE OF THAT COMPONENT. |               |     |       |                 |          |           | CAVITY WITH A NUMBER INDICATES BLOCKED TERMINAL POSITION<br>CAVITY WITHOUT A NUMBER INDICATES OPEN TERMINAL POSITION |    |    |    |    |    |    |    |    |    |    |    |    |    |    |    |   |        |          |    |   |    |    |   |   |
|  |                      | OUTER HOUSING KEY/COLOR   | INNER HOUSING | PLR | LEVER | LEVER ARM (x/2) | MAT SEAL | RING SEAL |  |    |    |    |    |    |    |    |    |    |    |    |    |    |    |    |   |        |          |    |   |    |    |   |   |
| GPEC RCPT CONN 95 CKT END LVR KEY 1/75 | 349920008            | 1-BLACK   | IH            | PLR | LE    | LA              | M        | R         | 1  | -  | 3  | -  | 5  | -  | 7  | -  | -  | 10 | -  | -  | -  | -  | 15 | -  | - | 78     | -        | -  |   |    |    |   |   |
|  |                      |   |               |     |       |                 |          |           | 16   | -  | -  | -  | -  | -  | -  | -  | -  | -  | -  | -  | -  | -  | -  | -  | - | -      | -        | -  | - | -  | -  | - |   |
|  |                      |   |               |     |       |                 |          |           | -  | -  | -  | -  | -  | -  | -  | -  | -  | -  | -  | -  | -  | -  | -  | -  | - | 41     | -        | -  | - | -  | -  | - | - |
|  |                      |   |               |     |       |                 |          |           | 46   | -  | 48 | -  | -  | -  | -  | -  | -  | -  | -  | -  | -  | -  | -  | -  | - | 56     | -        | -  | - | -  | -  | - | - |
|  |                      |   |               |     |       |                 |          |           | 61   | -  | 63 | 64 | -  | -  | 67 | 68 | 69 | -  | -  | -  | -  | -  | -  | -  | - | -      | -        | -  | - | 74 | 75 | - | - |
| GPEC RCPT CONN 95 CKT END LVR KEY 1/76 | 349920009            | 1-BLACK   | IH            | PLR | LE    | LA              | M        | R         | 1  | -  | 3  | -  | 5  | -  | 7  | -  | -  | 10 | -  | -  | -  | -  | -  | -  | - | -      | -        |    |   |    |    |   |   |
|  |                      |   |               |     |       |                 |          |           | 16   | -  | -  | -  | -  | -  | -  | -  | -  | -  | -  | -  | -  | -  | -  | -  | - | -      | -        | -  | - | -  | -  |   |   |
|  |                      |   |               |     |       |                 |          |           | -  | -  | -  | -  | -  | -  | -  | -  | -  | -  | -  | -  | -  | -  | -  | -  | - | 41     | -        | -  | - | -  | -  | - | - |
|  |                      |   |               |     |       |                 |          |           | 46   | -  | 48 | -  | -  | -  | -  | -  | -  | -  | -  | -  | -  | -  | -  | -  | - | 56     | -        | -  | - | -  | -  | - | - |
|  |                      |   |               |     |       |                 |          |           | 61   | -  | 63 | 64 | -  | 66 | 67 | 68 | 69 | -  | -  | -  | -  | -  | -  | -  | - | -      | -        | -  | - | 74 | 75 | - | - |
| GPEC RCPT CONN 95 CKT END LVR KEY 1/80 | 349920010            | 1-BLACK   | IH            | PLR | LE    | LA              | M        | R         | 1  | -  | 3  | -  | 5  | -  | 7  | -  | -  | 10 | -  | -  | -  | -  | -  | -  | - | -      | -        |    |   |    |    |   |   |
|  |                      |   |               |     |       |                 |          |           | 16   | -  | -  | -  | -  | -  | -  | -  | -  | -  | -  | -  | -  | -  | -  | -  | - | -      | -        | -  | - | -  | -  |   |   |
|  |                      |   |               |     |       |                 |          |           | -  | -  | -  | -  | -  | -  | -  | -  | -  | -  | -  | -  | -  | -  | -  | -  | - | 41     | -        | -  | - | -  | -  | - | - |
|  |                      |   |               |     |       |                 |          |           | 46   | -  | 48 | -  | -  | -  | -  | -  | -  | -  | -  | -  | -  | -  | -  | -  | - | 56     | -        | -  | - | -  | -  | - | - |
|  |                      |   |               |     |       |                 |          |           | 61   | -  | 63 | 64 | -  | -  | 67 | -  | 69 | -  | -  | -  | -  | -  | -  | -  | - | -      | -        | -  | - | -  | -  | - | - |
| GPEC RCPT CONN 95 CKT END LVR KEY 1/79 | 349920011            | 1-BLACK   | IH            | PLR | LE    | LA              | M        | R         | 1  | -  | -  | -  | -  | -  | -  | -  | -  | -  | -  | -  | -  | -  | -  | 15 | - | -      | 78       | -  | - |    |    |   |   |
|  |                      |   |               |     |       |                 |          |           | 16   | -  | -  | -  | -  | -  | 22 | -  | -  | -  | -  | -  | -  | -  | -  | -  | - | -      | -        | -  | - | -  | -  | - |   |
|  |                      |   |               |     |       |                 |          |           | -  | -  | -  | -  | -  | -  | -  | -  | -  | -  | -  | -  | -  | -  | -  | -  | - | -      | -        | -  | - | -  | -  | - | - |
|  |                      |   |               |     |       |                 |          |           | -  | -  | -  | -  | -  | -  | -  | -  | -  | -  | -  | -  | -  | 55 | 56 | -  | - | -      | -        | -  | - | -  | -  | - | - |
|  |                      |   |               |     |       |                 |          |           | -  | 62 | 63 | 64 | -  | -  | 67 | 68 | 69 | -  | -  | -  | -  | -  | -  | -  | - | -      | -        | -  | - | 74 | 75 | - | - |
| GPEC RCPT CONN 95 CKT END LVR KEY 1/74 | 349920012            | 1-BLACK   | IH            | PLR | LE    | LA              | M        | R         | -  | -  | 3  | -  | -  | -  | -  | -  | 9  | 10 | -  | 12 | -  | -  | -  | -  | - | -      | -        | -  |   |    |    |   |   |
|  |                      |   |               |     |       |                 |          |           | -  | -  | 18 | -  | -  | -  | -  | -  | 24 | 25 | -  | -  | -  | -  | -  | -  | - | -      | -        | -  | - | -  | -  | - |   |
|  |                      |   |               |     |       |                 |          |           | 31   | -  | -  | -  | -  | -  | -  | -  | -  | -  | -  | -  | -  | -  | -  | -  | - | -      | -        | -  | - | -  | -  | - | - |
|  |                      |   |               |     |       |                 |          |           | -  | 47 | 48 | -  | -  | -  | -  | -  | -  | -  | -  | -  | -  | -  | -  | -  | - | 56     | -        | -  | - | -  | -  | - | - |
|  |                      |   |               |     |       |                 |          |           | -  | -  | -  | 64 | 65 | -  | -  | 68 | 69 | -  | 71 | -  | -  | -  | -  | -  | - | -      | -        | -  | - | 74 | 75 | - | - |
| GPEC RCPT CONN 95 CKT END LVR KEY 1/83 | 349920013            | 1-BLACK   | IH            | PLR | LE    | LA              | M        | R         | 1  | -  | -  | -  | -  | -  | -  | -  | -  | -  | -  | -  | -  | -  | -  | -  | - | -      | -        | -  |   |    |    |   |   |
|  |                      |   |               |     |       |                 |          |           | 16   | -  | -  | -  | -  | -  | -  | -  | -  | -  | -  | -  | -  | -  | -  | -  | - | -      | -        | -  | - | -  | -  | - |   |
|  |                      |   |               |     |       |                 |          |           | -  | -  | -  | -  | -  | -  | -  | -  | -  | -  | -  | -  | -  | -  | -  | -  | - | -      | -        | -  | - | -  | -  | - | - |
|  |                      |   |               |     |       |                 |          |           | -  | -  | -  | -  | -  | -  | -  | -  | -  | -  | -  | -  | -  | 55 | 56 | -  | - | -      | -        | -  | - | -  | -  | - | - |
|  |                      |   |               |     |       |                 |          |           | -  | 62 | 63 | 64 | -  | -  | 67 | 68 | 69 | -  | -  | -  | -  | -  | -  | -  | - | -      | -        | -  | - | -  | -  | - | - |
| GPEC RCPT CONN 95 CKT END LVR KEY 1/79 | 349920014            | 1-BLACK   | IH            | PLR | LE    | LA              | M        | R         | -  | -  | -  | -  | -  | -  | -  | -  | 9  | -  | -  | -  | -  | -  | -  | -  | - | -      | -        | -  | - |    |    |   |   |
|  |                      |   |               |     |       |                 |          |           | -  | -  | 18 | -  | -  | -  | -  | -  | 24 | 25 | -  | -  | -  | -  | -  | -  | - | -      | -        | -  | - | -  | -  | - |   |
|  |                      |   |               |     |       |                 |          |           | -  | -  | -  | -  | -  | -  | -  | -  | -  | -  | -  | -  | -  | -  | -  | -  | - | -      | -        | -  | - | -  | -  | - | - |
|  |                      |   |               |     |       |                 |          |           | -  | 47 | 48 | -  | -  | -  | -  | -  | -  | -  | -  | -  | -  | -  | -  | -  | - | 56     | -        | -  | - | -  | -  | - | - |
|  |                      |   |               |     |       |                 |          |           | -  | -  | -  | 64 | 65 | -  | -  | 68 | 69 | -  | 71 | -  | -  | -  | -  | -  | - | -      | -        | -  | - | 74 | 75 | - | - |
| GPEC RCPT CONN 95 CKT END LVR KEY 1/82 | 349920015            | 1-BLACK   | IH            | PLR | LE    | LA              | M        | R         | -  | -  | -  | -  | -  | -  | -  | -  | 9  | -  | -  | -  | -  | -  | -  | -  | - | -      | -        | -  | - |    |    |   |   |
|  |                      |   |               |     |       |                 |          |           | -  | -  | 18 | -  | -  | -  | -  | -  | 24 | 25 | -  | -  | -  | -  | -  | -  | - | -      | -        | -  | - | -  | -  | - |   |
|  |                      |   |               |     |       |                 |          |           | -  | -  | -  | -  | -  | -  | -  | -  | -  | -  | -  | -  | -  | -  | -  | -  | - | -      | -        | -  | - | -  | -  | - | - |
|  |                      |   |               |     |       |                 |          |           | -  | -  | -  | -  | -  | -  | -  | -  | -  | -  | -  | -  | -  | -  | -  | -  | - | -      | -        | -  | - | -  | -  | - | - |
|  |                      |   |               |     |       |                 |          |           | -  | -  | -  | 64 | 65 | -  | -  | 68 | 69 | -  | 71 | -  | -  | -  | -  | -  | - | -      | -        | -  | - | 74 | 75 | - | - |
| GPEC RCPT CONN 95 CKT END LVR KEY 1/77 | 349920016            | 1-BLACK   | IH            | PLR | LE    | LA              | M        | R         | 1  | -  | -  | -  | -  | -  | -  | -  | -  | -  | -  | -  | -  | -  | -  | -  | - | -      | -        | -  |   |    |    |   |   |
|  |                      |   |               |     |       |                 |          |           | 16   | -  | -  | -  | -  | -  | 22 | -  | -  | -  | -  | -  | -  | -  | -  | -  | - | -      | -        | -  | - | -  | -  | - |   |
|  |                      |   |               |     |       |                 |          |           | -  | -  | -  | -  | -  | -  | -  | -  | -  | -  | -  | -  | -  | -  | -  | -  | - | 55     | 56       | 57 | - | -  | -  | - | - |
|  |                      |   |               |     |       |                 |          |           | -  | -  | -  | -  | -  | -  | -  | -  | -  | -  | -  | -  | -  | -  | -  | -  | - | -      | -        | -  | - | -  | -  | - | - |
|  |                      |   |               |     |       |                 |          |           | -  | 62 | 63 | 64 | -  | 66 | 67 | 68 | 69 | -  | -  | -  | -  | -  | -  | -  | - | -      | -        | -  | - | 74 | 75 | - | - |
| GPEC RCPT CONN 95 CKT END LVR KEY 1/67 | 349920017            | 1-BLACK   | IH            | PLR | LE    | LA              | M        | R         | -  | -  | 3  | -  | -  | -  | -  | -  | 9  | 10 | -  | 12 | -  | -  | -  | -  | - | -      | -        | -  |   |    |    |   |   |
|  |                      |   |               |     |       |                 |          |           | -  | -  | 18 | -  | -  | -  | -  | -  | 24 | 25 | -  | -  | -  | -  | -  | -  | - | -      | -        | -  | - | -  | -  | - |   |
|  |                      |   |               |     |       |                 |          |           | 31   | -  | -  | -  | -  | -  | -  | -  | -  | -  | -  | -  | -  | -  | -  | -  | - | -      | -        | -  | - | -  | -  | - | - |
|  |                      |   |               |     |       |                 |          |           | -  | -  | -  | -  | -  | -  | -  | -  | -  | -  | -  | -  | -  | -  | -  | -  | - | -      | -        | -  | - | -  | -  | - | - |
|  |                      |   |               |     |       |                 |          |           | -  | 62 | 63 | 64 | 65 | -  | -  | 68 | 69 | 70 | 71 | 72 | 73 | 74 | 75 | -  | - | -      | -        | -  | - | -  | -  | - | - |



**BOM AND PIN OUT SHEET**

| ASSEMBLY DESCRIPTION                   | ASSEMBLY PART NUMBER | COMPONENT   |               |     |       |                 |          |           | BLOCKED TERMINALS  |   |   |   |    |   |    |   |    |    |    |    |    |    |    |    |    | STATUS | COMMENTS |    |    |    |    |    |    |    |          |          |          |    |    |    |    |    |    |    |    |    |    |    |    |    |    |    |    |    |    |    |    |    |    |    |    |    |    |    |    |    |    |    |    |    |    |    |    |    |    |    |    |    |    |    |    |    |    |    |    |    |    |    |    |    |    |    |    |    |    |    |    |    |    |    |    |    |    |          |  |
|--|----------------------|---|---------------|-----|-------|-----------------|----------|-----------|--|---|---|---|----|---|----|---|----|----|----|----|----|----|----|----|----|--------|----------|----|----|----|----|----|----|----|----------|----------|----------|----|----|----|----|----|----|----|----|----|----|----|----|----|----|----|----|----|----|----|----|----|----|----|----|----|----|----|----|----|----|----|----|----|----|----|----|----|----|----|----|----|----|----|----|----|----|----|----|----|----|----|----|----|----|----|----|----|----|----|----|----|----|----|----|----|----|----------|--|
|  |                      | THE PRESENCE OF AN ABBREVIATION INDICATES THE PRESENCE OF THAT COMPONENT. |               |     |       |                 |          |           | CAVITY WITH A NUMBER INDICATES BLOCKED TERMINAL POSITION<br>CAVITY WITHOUT A NUMBER INDICATES OPEN TERMINAL POSITION |   |   |   |    |   |    |   |    |    |    |    |    |    |    |    |    |        |          |    |    |    |    |    |    |    |          |          |          |    |    |    |    |    |    |    |    |    |    |    |    |    |    |    |    |    |    |    |    |    |    |    |    |    |    |    |    |    |    |    |    |    |    |    |    |    |    |    |    |    |    |    |    |    |    |    |    |    |    |    |    |    |    |    |    |    |    |    |    |    |    |    |    |    |    |          |  |
|  |                      | OUTER HOUSING KEY/COLOR   | INNER HOUSING | PLR | LEVER | LEVER ARM (x/2) | MAT SEAL | RING SEAL |  |   |   |   |    |   |    |   |    |    |    |    |    |    |    |    |    |        |          |    |    |    |    |    |    |    |          |          |          |    |    |    |    |    |    |    |    |    |    |    |    |    |    |    |    |    |    |    |    |    |    |    |    |    |    |    |    |    |    |    |    |    |    |    |    |    |    |    |    |    |    |    |    |    |    |    |    |    |    |    |    |    |    |    |    |    |    |    |    |    |    |    |    |    |    |          |  |
| GPEC RCPT CONN 95 CKT END LVR KEY 1/85 | 349920028            | 1-BLACK   | IH            | PLR | LE    | LA              | M        | R         | -  | - | - | - | -  | - | -  | - | -  | -  | -  | -  | -  | -  | -  | -  | -  | -      | -        | -  | -  | -  | -  | -  | -  | -  | SALEABLE |          |          |    |    |    |    |    |    |    |    |    |    |    |    |    |    |    |    |    |    |    |    |    |    |    |    |    |    |    |    |    |    |    |    |    |    |    |    |    |    |    |    |    |    |    |    |    |    |    |    |    |    |    |    |    |    |    |    |    |    |    |    |    |    |    |    |    |    |          |  |
| GPEC RCPT CONN 95 CKT END LVR KEY 1/68 | 349920029            | 1-BLACK   | IH            | PLR | LE    | LA              | M        | R         | -  | - | 3 | - | -  | - | -  | 9 | 10 | -  | 12 | -  | -  | 15 | -  | -  | -  | -      | -        | -  | -  | -  | -  | -  | -  | -  | SALEABLE |          |          |    |    |    |    |    |    |    |    |    |    |    |    |    |    |    |    |    |    |    |    |    |    |    |    |    |    |    |    |    |    |    |    |    |    |    |    |    |    |    |    |    |    |    |    |    |    |    |    |    |    |    |    |    |    |    |    |    |    |    |    |    |    |    |    |    |    |          |  |
| GPEC RCPT CONN 95 CKT END LVR KEY 1/69 | 349920030            | 1-BLACK   | IH            | PLR | LE    | LA              | M        | R         | -  | - | - | - | 20 | - | 22 | - | 24 | 25 | 26 | -  | -  | -  | -  | -  | -  | -      | -        | -  | -  | -  | -  | -  | -  | -  | -        | SALEABLE |          |    |    |    |    |    |    |    |    |    |    |    |    |    |    |    |    |    |    |    |    |    |    |    |    |    |    |    |    |    |    |    |    |    |    |    |    |    |    |    |    |    |    |    |    |    |    |    |    |    |    |    |    |    |    |    |    |    |    |    |    |    |    |    |    |    |    |          |  |
| GPEC RCPT CONN 95 CKT END LVR KEY 1/83 | 349920031            | 1-BLACK   | IH            | PLR | LE    | LA              | M        | R         | -  | - | - | - | -  | - | -  | - | -  | -  | -  | -  | -  | -  | -  | -  | -  | -      | -        | -  | -  | -  | -  | -  | -  | -  | -        | SALEABLE |          |    |    |    |    |    |    |    |    |    |    |    |    |    |    |    |    |    |    |    |    |    |    |    |    |    |    |    |    |    |    |    |    |    |    |    |    |    |    |    |    |    |    |    |    |    |    |    |    |    |    |    |    |    |    |    |    |    |    |    |    |    |    |    |    |    |    |          |  |
| GPEC RCPT CONN 95 CKT END LVR KEY 1/69 | 349920032            | 1-BLACK   | IH            | PLR | LE    | LA              | M        | R         | -  | - | 3 | - | -  | - | -  | 9 | 10 | -  | 12 | -  | -  | 15 | -  | -  | -  | -      | -        | -  | -  | -  | -  | -  | -  | -  | -        | SALEABLE |          |    |    |    |    |    |    |    |    |    |    |    |    |    |    |    |    |    |    |    |    |    |    |    |    |    |    |    |    |    |    |    |    |    |    |    |    |    |    |    |    |    |    |    |    |    |    |    |    |    |    |    |    |    |    |    |    |    |    |    |    |    |    |    |    |    |    |          |  |
| GPEC RCPT CONN 95 CKT END LVR KEY 1/72 | 349920033            | 1-BLACK   | IH            | PLR | LE    | LA              | M        | R         | -  | - | - | - | -  | - | -  | 9 | 10 | -  | 12 | -  | -  | 15 | -  | -  | -  | -      | -        | -  | -  | -  | -  | -  | -  | -  | -        | SALEABLE |          |    |    |    |    |    |    |    |    |    |    |    |    |    |    |    |    |    |    |    |    |    |    |    |    |    |    |    |    |    |    |    |    |    |    |    |    |    |    |    |    |    |    |    |    |    |    |    |    |    |    |    |    |    |    |    |    |    |    |    |    |    |    |    |    |    |    |          |  |
| GPEC RCPT CONN 95 CKT END LVR KEY 1/60 | 349920034            | 1-BLACK   | IH            | PLR | LE    | LA              | M        | R         | -  | - | - | - | 5  | - | 8  | 9 | -  | -  | -  | 13 | -  | -  | -  | -  | -  | -      | -        | -  | -  | -  | -  | -  | -  | -  | -        | SALEABLE |          |    |    |    |    |    |    |    |    |    |    |    |    |    |    |    |    |    |    |    |    |    |    |    |    |    |    |    |    |    |    |    |    |    |    |    |    |    |    |    |    |    |    |    |    |    |    |    |    |    |    |    |    |    |    |    |    |    |    |    |    |    |    |    |    |    |    |          |  |
| GPEC RCPT CONN 95 CKT END LVR KEY 1/70 | 349920035            | 1-BLACK   | IH            | PLR | LE    | LA              | M        | R         | -  | - | - | - | 20 | - | 22 | - | 24 | 25 | 26 | -  | -  | -  | -  | -  | -  | -      | -        | -  | -  | -  | -  | -  | -  | -  | -        | -        | SALEABLE |    |    |    |    |    |    |    |    |    |    |    |    |    |    |    |    |    |    |    |    |    |    |    |    |    |    |    |    |    |    |    |    |    |    |    |    |    |    |    |    |    |    |    |    |    |    |    |    |    |    |    |    |    |    |    |    |    |    |    |    |    |    |    |    |    |    |          |  |
| GPEC RCPT CONN 95 CKT TOP LVR KEY 1/95 | 349921001            | 1-BLACK   | IH            | PLR | LT    | LA              | M        | R         | -  | - | - | - | -  | - | -  | - | -  | -  | -  | -  | -  | -  | -  | -  | -  | -      | -        | -  | -  | -  | -  | -  | -  | -  | -        | SALEABLE |          |    |    |    |    |    |    |    |    |    |    |    |    |    |    |    |    |    |    |    |    |    |    |    |    |    |    |    |    |    |    |    |    |    |    |    |    |    |    |    |    |    |    |    |    |    |    |    |    |    |    |    |    |    |    |    |    |    |    |    |    |    |    |    |    |    |    |          |  |
| GPEC RCPT CONN 95 CKT TOP LVR KEY 1/0  | 349921002            | 1-BLACK   | IH            | PLR | LT    | LA              | M        | R         | 1  | 2 | 3 | 4 | 5  | 6 | 7  | 8 | 9  | 10 | 11 | 12 | 13 | 14 | 15 | 16 | 17 | 18     | 19       | 20 | 21 | 22 | 23 | 24 | 25 | 26 | 27       | 28       | 29       | 30 | 31 | 32 | 33 | 34 | 35 | 36 | 37 | 38 | 39 | 40 | 41 | 42 | 43 | 44 | 45 | 46 | 47 | 48 | 49 | 50 | 51 | 52 | 53 | 54 | 55 | 56 | 57 | 58 | 59 | 60 | 61 | 62 | 63 | 64 | 65 | 66 | 67 | 68 | 69 | 70 | 71 | 72 | 73 | 74 | 75 | 76 | 77 | 78 | 79 | 80 | 81 | 82 | 83 | 84 | 85 | 86 | 87 | 88 | 89 | 90 | 91 | 92 | 93 | 94 | 95 | SALEABLE |  |

**BOM AND PIN OUT SHEET**

| ASSEMBLY DESCRIPTION                   | ASSEMBLY PART NUMBER | COMPONENT   |               |     |       |                 |          |           | BLOCKED TERMINALS  |    |    |    |    |    |    |    |    |    |    |    |    |    |    |    |    | STATUS | COMMENTS |    |          |  |
|--|----------------------|---|---------------|-----|-------|-----------------|----------|-----------|--|----|----|----|----|----|----|----|----|----|----|----|----|----|----|----|----|--------|----------|----|----------|--|
|  |                      | THE PRESENCE OF AN ABBREVIATION INDICATES THE PRESENCE OF THAT COMPONENT. |               |     |       |                 |          |           | CAVITY WITH A NUMBER INDICATES BLOCKED TERMINAL POSITION<br>CAVITY WITHOUT A NUMBER INDICATES OPEN TERMINAL POSITION |    |    |    |    |    |    |    |    |    |    |    |    |    |    |    |    |        |          |    |          |  |
|  |                      | OUTER HOUSING KEY/COLOR   | INNER HOUSING | PLR | LEVER | LEVER ARM (x/2) | MAT SEAL | RING SEAL |  |    |    |    |    |    |    |    |    |    |    |    |    |    |    |    |    |        |          |    |          |  |
| GPEC RCPT CONN 95 CKT TOP LVR KEY 1/47 | 349921003            | 1-BLACK   | IH            | PLR | LT    | LA              | M        | R         | -  | -  | 3  | 4  | 5  | -  | -  | -  | 9  | -  | -  | 12 | 13 | -  | 15 | -  | 77 | 78     | 79       | 80 | SALEABLE |  |
|  |                      |   |               |     |       |                 |          |           | 16   | 17 | 18 | -  | 20 | 21 | -  | 23 | 24 | 25 | 26 | -  | 28 | -  | 30 | -  | -  | -      | -        | 85 |          |  |
|  |                      |   |               |     |       |                 |          |           | -  | -  | -  | -  | -  | -  | -  | 38 | -  | -  | -  | -  | 43 | 44 | 45 | -  | -  | -      | -        | -  |          |  |
|  |                      |   |               |     |       |                 |          |           | 46   | 47 | -  | 49 | -  | 51 | -  | 53 | 54 | -  | 56 | -  | -  | 59 | -  | 86 | -  | -      | -        | -  |          |  |
|  |                      |   |               |     |       |                 |          |           | 61   | -  | -  | -  | -  | 66 | 67 | 68 | 69 | 70 | 71 | -  | 73 | 74 | -  | 91 | -  | -      | 94       | 95 |          |  |
| GPEC RCPT CONN 95 CKT TOP LVR KEY 1/77 | 349921004            | 1-BLACK   | IH            | PLR | LT    | LA              | M        | R         | -  | -  | -  | -  | -  | -  | -  | -  | 9  | -  | -  | -  | -  | -  | 15 | -  | -  | -      | -        | -  | SALEABLE |  |
|  |                      |   |               |     |       |                 |          |           | -  | -  | 18 | -  | -  | -  | -  | -  | 24 | 25 | -  | -  | -  | -  | 30 | -  | -  | -      | -        | -  |          |  |
|  |                      |   |               |     |       |                 |          |           | -  | -  | -  | -  | -  | -  | -  | -  | -  | -  | -  | -  | -  | -  | -  | -  | -  | -      | -        | -  |          |  |
|  |                      |   |               |     |       |                 |          |           | -  | -  | -  | -  | -  | -  | -  | -  | -  | -  | -  | -  | -  | -  | -  | -  | 87 | 88     | -        | -  |          |  |
|  |                      |   |               |     |       |                 |          |           | -  | -  | -  | 64 | 65 | -  | -  | 68 | 69 | 70 | -  | 72 | 73 | 74 | 75 | -  | -  | -      | -        | -  |          |  |
| GPEC RCPT CONN 95 CKT TOP LVR KEY 1/68 | 349921005            | 1-BLACK   | IH            | PLR | LT    | LA              | M        | R         | -  | -  | 3  | -  | -  | -  | -  | -  | 9  | 10 | -  | 12 | -  | -  | 15 | -  | -  | 78     | -        | -  | SALEABLE |  |
|  |                      |   |               |     |       |                 |          |           | -  | -  | 18 | -  | -  | -  | -  | -  | 24 | 25 | -  | -  | -  | -  | 30 | -  | -  | 83     | -        | -  |          |  |
|  |                      |   |               |     |       |                 |          |           | 31   | -  | -  | -  | -  | -  | -  | -  | -  | -  | -  | -  | -  | -  | 45 | -  | -  | -      | -        | -  |          |  |
|  |                      |   |               |     |       |                 |          |           | -  | 47 | 48 | -  | -  | -  | -  | -  | -  | -  | 56 | -  | -  | -  | -  | -  | 87 | 88     | -        | -  |          |  |
|  |                      |   |               |     |       |                 |          |           | -  | -  | -  | 64 | 65 | -  | -  | 68 | 69 | 70 | -  | 72 | 73 | 74 | 75 | -  | -  | -      | -        | -  |          |  |
| GPEC RCPT CONN 95 CKT TOP LVR KEY 1/65 | 349921006            | 1-BLACK   | IH            | PLR | LT    | LA              | M        | R         | -  | -  | 3  | -  | -  | -  | -  | -  | 9  | 10 | -  | 12 | -  | -  | 15 | -  | -  | 78     | -        | -  | SALEABLE |  |
|  |                      |   |               |     |       |                 |          |           | -  | -  | 18 | -  | -  | -  | -  | -  | 24 | 25 | -  | -  | -  | -  | 30 | -  | -  | 83     | -        | -  |          |  |
|  |                      |   |               |     |       |                 |          |           | 31   | -  | -  | -  | -  | -  | -  | -  | -  | -  | -  | -  | -  | -  | 45 | -  | -  | -      | -        | -  |          |  |
|  |                      |   |               |     |       |                 |          |           | 46   | 47 | 48 | -  | -  | -  | -  | -  | -  | -  | 56 | -  | -  | -  | -  | -  | 87 | 88     | -        | -  |          |  |
|  |                      |   |               |     |       |                 |          |           | 61   | -  | -  | 64 | 65 | -  | -  | 68 | 69 | 70 | 71 | 72 | 73 | 74 | 75 | -  | -  | -      | -        | -  |          |  |
| GPEC RCPT CONN 95 CKT TOP LVR KEY 1/68 | 349921007            | 1-BLACK   | IH            | PLR | LT    | LA              | M        | R         | -  | -  | 3  | -  | -  | -  | -  | -  | 9  | 10 | -  | 12 | -  | -  | 15 | -  | -  | 78     | -        | -  | SALEABLE |  |
|  |                      |   |               |     |       |                 |          |           | -  | -  | 18 | -  | -  | -  | -  | -  | 24 | -  | -  | -  | -  | -  | 30 | -  | -  | 83     | -        | -  |          |  |
|  |                      |   |               |     |       |                 |          |           | 31   | -  | -  | -  | -  | -  | -  | -  | -  | -  | -  | -  | -  | -  | -  | -  | -  | -      | -        | -  |          |  |
|  |                      |   |               |     |       |                 |          |           | 46   | 47 | 48 | -  | -  | -  | -  | -  | -  | -  | 56 | -  | -  | -  | -  | -  | 87 | 88     | -        | -  |          |  |
|  |                      |   |               |     |       |                 |          |           | 61   | -  | -  | 64 | 65 | -  | -  | 68 | 69 | 70 | 71 | 72 | 73 | 74 | 75 | -  | -  | -      | -        | -  |          |  |
| GPEC RCPT CONN 95 CKT TOP LVR KEY 1/94 | 349921008            | 1-BLACK   | IH            | PLR | LT    | LA              | M        | R         | -  | -  | -  | -  | -  | -  | -  | -  | -  | -  | -  | -  | -  | -  | -  | -  | -  | -      | -        | -  | SALEABLE |  |
|  |                      |   |               |     |       |                 |          |           | -  | -  | -  | -  | -  | -  | -  | -  | -  | -  | -  | -  | -  | -  | -  | -  | -  | -      | -        | -  |          |  |
|  |                      |   |               |     |       |                 |          |           | -  | -  | -  | -  | -  | -  | -  | -  | -  | -  | -  | -  | -  | -  | -  | -  | -  | -      | -        | -  |          |  |
|  |                      |   |               |     |       |                 |          |           | -  | -  | -  | -  | -  | -  | -  | -  | -  | -  | -  | -  | -  | -  | 75 | -  | -  | -      | -        | -  |          |  |
|  |                      |   |               |     |       |                 |          |           | -  | -  | -  | -  | -  | -  | -  | -  | -  | -  | -  | -  | -  | -  | -  | -  | -  | -      | -        | -  |          |  |
| GPEC RCPT CONN 95 CKT END LVR KEY 2/95 | 349922001            | 2-BLACK   | IH            | PLR | LE    | LA              | M        | R         | -  | -  | -  | -  | -  | -  | -  | -  | -  | -  | -  | -  | -  | -  | -  | -  | -  | -      | -        | -  | SALEABLE |  |
|  |                      |   |               |     |       |                 |          |           | -  | -  | -  | -  | -  | -  | -  | -  | -  | -  | -  | -  | -  | -  | -  | -  | -  | -      | -        | -  |          |  |
|  |                      |   |               |     |       |                 |          |           | -  | -  | -  | -  | -  | -  | -  | -  | -  | -  | -  | -  | -  | -  | -  | -  | -  | -      | -        | -  |          |  |
|  |                      |   |               |     |       |                 |          |           | -  | -  | -  | -  | -  | -  | -  | -  | -  | -  | -  | -  | -  | -  | -  | -  | -  | -      | -        | -  |          |  |
|  |                      |   |               |     |       |                 |          |           | -  | -  | -  | -  | -  | -  | -  | -  | -  | -  | -  | -  | -  | -  | -  | -  | -  | -      | -        | -  |          |  |
| GPEC RCPT CONN 95 CKT TOP LVR KEY 2/95 | 349923001            | 2-BLACK   | IH            | PLR | LT    | LA              | M        | R         | -  | -  | -  | -  | -  | -  | -  | -  | -  | -  | -  | -  | -  | -  | -  | -  | -  | -      | -        | -  | SALEABLE |  |
|  |                      |   |               |     |       |                 |          |           | -  | -  | -  | -  | -  | -  | -  | -  | -  | -  | -  | -  | -  | -  | -  | -  | -  | -      | -        | -  |          |  |
|  |                      |   |               |     |       |                 |          |           | -  | -  | -  | -  | -  | -  | -  | -  | -  | -  | -  | -  | -  | -  | -  | -  | -  | -      | -        | -  |          |  |
|  |                      |   |               |     |       |                 |          |           | -  | -  | -  | -  | -  | -  | -  | -  | -  | -  | -  | -  | -  | -  | -  | -  | -  | -      | -        | -  |          |  |
|  |                      |   |               |     |       |                 |          |           | -  | -  | -  | -  | -  | -  | -  | -  | -  | -  | -  | -  | -  | -  | -  | -  | -  | -      | -        | -  |          |  |
| GPEC RCPT CONN 95 CKT TOP LVR KEY 2/46 | 349923002            | 2-BLACK   | IH            | PLR | LT    | LA              | M        | R         | -  | -  | -  | 4  | -  | 6  | -  | 8  | 9  | -  | 11 | -  | -  | 14 | 15 | -  | 77 | -      | -        | 80 | SALEABLE |  |
|  |                      |   |               |     |       |                 |          |           | -  | 17 | -  | -  | -  | 21 | -  | -  | 24 | -  | -  | -  | 28 | 29 | 30 | 81 | -  | 83     | -        | 85 |          |  |
|  |                      |   |               |     |       |                 |          |           | -  | 32 | -  | -  | -  | -  | -  | -  | -  | -  | 41 | -  | 43 | 44 | 45 | -  | -  | -      | -        | -  |          |  |
|  |                      |   |               |     |       |                 |          |           | 46   | -  | 48 | -  | -  | -  | -  | 53 | -  | -  | 56 | 57 | 58 | -  | -  | 86 | 87 | 88     | -        | 90 |          |  |
|  |                      |   |               |     |       |                 |          |           | 61   | 62 | 63 | 64 | 65 | 66 | 67 | 68 | 69 | 70 | 71 | 72 | 73 | 74 | 75 | -  | -  | -      | -        | 95 |          |  |
| GPEC RCPT CONN 95 CKT END LVR KEY 3/95 | 349924001            | 3-BLACK   | IH            | PLR | LE    | LA              | M        | R         | -  | -  | -  | -  | -  | -  | -  | -  | -  | -  | -  | -  | -  | -  | -  | -  | -  | -      | -        | -  | SALEABLE |  |
|  |                      |   |               |     |       |                 |          |           | -  | -  | -  | -  | -  | -  | -  | -  | -  | -  | -  | -  | -  | -  | -  | -  | -  | -      | -        | -  |          |  |
|  |                      |   |               |     |       |                 |          |           | -  | -  | -  | -  | -  | -  | -  | -  | -  | -  | -  | -  | -  | -  | -  | -  | -  | -      | -        | -  |          |  |
|  |                      |   |               |     |       |                 |          |           | -  | -  | -  | -  | -  | -  | -  | -  | -  | -  | -  | -  | -  | -  | -  | -  | -  | -      | -        | -  |          |  |
|  |                      |   |               |     |       |                 |          |           | -  | -  | -  | -  | -  | -  | -  | -  | -  | -  | -  | -  | -  | -  | -  | -  | -  | -      | -        | -  |          |  |



**BOM AND PIN OUT SHEET**

| ASSEMBLY DESCRIPTION                   | ASSEMBLY PART NUMBER | COMPONENT   |               |     |       |                 |          |           | BLOCKED TERMINALS  |    |    |    |    |    |    |    |    |    |    |    |    |    |    |    |    | STATUS | COMMENTS |   |   |
|--|----------------------|---|---------------|-----|-------|-----------------|----------|-----------|--|----|----|----|----|----|----|----|----|----|----|----|----|----|----|----|----|--------|----------|---|---|
|  |                      | THE PRESENCE OF AN ABBREVIATION INDICATES THE PRESENCE OF THAT COMPONENT. |               |     |       |                 |          |           | CAVITY WITH A NUMBER INDICATES BLOCKED TERMINAL POSITION<br>CAVITY WITHOUT A NUMBER INDICATES OPEN TERMINAL POSITION |    |    |    |    |    |    |    |    |    |    |    |    |    |    |    |    |        |          |   |   |
|  |                      | OUTER HOUSING KEY/COLOR   | INNER HOUSING | PLR | LEVER | LEVER ARM (x/2) | MAT SEAL | RING SEAL |  |    |    |    |    |    |    |    |    |    |    |    |    |    |    |    |    |        |          |   |   |
| GPEC RCPT CONN 95 CKT TOP LVR KEY 3/47 | 349925007            | 3-BLACK   | IH            | PLR | LT    | LA              | M        | R         | -  | -  | 3  | 4  | 5  | -  | -  | 8  | -  | -  | -  | -  | -  | 14 | 15 | 76 | 77 | 78     | 79       | - |   |
|  |                      |   |               |     |       |                 |          |           | 16   | 17 | 18 | 19 | 20 | 21 | 22 | 23 | -  | 25 | 26 | -  | 28 | 29 | 30 | 81 | -  | -      | -        | - |   |
|  |                      |   |               |     |       |                 |          |           | -  | -  | -  | -  | -  | -  | -  | -  | -  | 40 | -  | -  | -  | -  | -  | -  | -  | -      | -        | - | - |
|  |                      |   |               |     |       |                 |          |           | 46   | 47 | 48 | 49 | -  | 51 | -  | -  | 54 | 55 | 56 | 57 | -  | 59 | -  | 86 | -  | -      | -        | - |   |
|  |                      |   |               |     |       |                 |          |           | 61   | -  | -  | -  | -  | 66 | 67 | 68 | -  | 70 | -  | 72 | 73 | 74 | 75 | 91 | 92 | 93     | -        | - |   |
| GPEC RCPT CONN 95 CKT TOP LVR KEY 3/57 | 349925008            | 3-BLACK   | IH            | PLR | LT    | LA              | M        | R         | -  | -  | -  | -  | -  | -  | -  | -  | -  | -  | -  | -  | -  | -  | -  | -  | -  | -      | -        | - |   |
|  |                      |   |               |     |       |                 |          |           | -  | -  | -  | -  | -  | 21 | -  | 23 | -  | 25 | 26 | -  | -  | -  | -  | -  | -  | -      | -        | - |   |
|  |                      |   |               |     |       |                 |          |           | -  | 32 | 33 | -  | -  | -  | -  | -  | 39 | -  | 41 | -  | 43 | 44 | -  | -  | -  | -      | -        | - |   |
|  |                      |   |               |     |       |                 |          |           | -  | -  | 48 | 49 | 50 | 51 | 52 | -  | -  | 55 | 56 | -  | 58 | -  | 60 | -  | -  | 88     | 89       | - |   |
|  |                      |   |               |     |       |                 |          |           | 61   | 62 | 63 | 64 | 65 | 66 | 67 | 68 | 69 | 70 | 71 | 72 | 73 | 74 | 75 | -  | -  | 93     | 94       | - |   |
| GPEC RCPT CONN 95 CKT TOP LVR KEY 3/53 | 349925009            | 3-BLACK   | IH            | PLR | LT    | LA              | M        | R         | -  | -  | -  | 4  | -  | -  | -  | -  | -  | -  | -  | -  | -  | -  | -  | -  | -  | -      | -        | - |   |
|  |                      |   |               |     |       |                 |          |           | -  | -  | -  | -  | -  | 21 | -  | 23 | -  | 25 | 26 | -  | -  | -  | -  | -  | -  | -      | -        | - |   |
|  |                      |   |               |     |       |                 |          |           | -  | 32 | 33 | -  | -  | -  | 37 | -  | 39 | -  | 41 | -  | 43 | 44 | -  | -  | -  | -      | -        | - |   |
|  |                      |   |               |     |       |                 |          |           | -  | -  | 48 | 49 | 50 | 51 | 52 | -  | -  | 55 | 56 | -  | 58 | -  | 60 | -  | 87 | 88     | 89       | - |   |
|  |                      |   |               |     |       |                 |          |           | 61   | 62 | 63 | 64 | 65 | 66 | 67 | 68 | 69 | 70 | 71 | 72 | 73 | 74 | 75 | -  | 92 | 93     | 94       | - |   |
| GPEC RCPT CONN 95 CKT TOP LVR KEY 3/44 | 349925010            | 3-BLACK   | IH            | PLR | LT    | LA              | M        | R         | -  | -  | -  | 4  | 5  | -  | 7  | 8  | -  | -  | -  | 12 | 13 | 14 | 15 | -  | 77 | 78     | 79       | - |   |
|  |                      |   |               |     |       |                 |          |           | 16   | 17 | 18 | 19 | 20 | 21 | -  | 23 | 24 | 25 | 26 | -  | 28 | 29 | 30 | 81 | -  | -      | -        | - |   |
|  |                      |   |               |     |       |                 |          |           | -  | -  | -  | -  | -  | -  | -  | -  | -  | -  | -  | -  | -  | -  | -  | -  | -  | -      | -        | - |   |
|  |                      |   |               |     |       |                 |          |           | 46   | 47 | -  | 49 | -  | 51 | 52 | 53 | 54 | 55 | 56 | 57 | 58 | 59 | 60 | 86 | -  | -      | -        | - |   |
|  |                      |   |               |     |       |                 |          |           | 61   | -  | -  | -  | -  | 66 | 67 | 68 | 69 | 70 | 71 | -  | 73 | 74 | 75 | 91 | 92 | -      | -        | - |   |
| GPEC RCPT CONN 95 CKT TOP LVR KEY 3/50 | 349925011            | 3-BLACK   | IH            | PLR | LT    | LA              | M        | R         | -  | -  | -  | 4  | 5  | -  | -  | 8  | -  | -  | -  | -  | 14 | 15 | -  | 77 | 78 | 79     | -        |   |   |
|  |                      |   |               |     |       |                 |          |           | 16   | 17 | 18 | 19 | 20 | 21 | 22 | 23 | -  | 25 | 26 | -  | 28 | 29 | 30 | 81 | -  | -      | -        | - |   |
|  |                      |   |               |     |       |                 |          |           | -  | -  | -  | -  | -  | -  | -  | -  | -  | 40 | -  | -  | -  | -  | -  | -  | -  | -      | -        | - |   |
|  |                      |   |               |     |       |                 |          |           | 46   | -  | 48 | -  | -  | 51 | -  | -  | 54 | 55 | 56 | 57 | 58 | 59 | -  | 86 | -  | -      | -        | - |   |
|  |                      |   |               |     |       |                 |          |           | 61   | -  | -  | 64 | -  | 66 | 67 | 68 | 69 | 70 | 71 | 72 | -  | -  | 75 | 91 | 92 | -      | -        | - |   |
| GPEC RCPT CONN 95 CKT TOP LVR KEY 3/45 | 349925012            | 3-BLACK   | IH            | PLR | LT    | LA              | M        | R         | -  | 2  | -  | 4  | -  | -  | 7  | 8  | -  | -  | -  | 12 | 13 | 14 | 15 | -  | 77 | 78     | 79       | - |   |
|  |                      |   |               |     |       |                 |          |           | 16   | 17 | 18 | -  | 20 | 21 | 22 | 23 | -  | 25 | 26 | -  | 28 | 29 | 30 | 81 | -  | -      | -        | - |   |
|  |                      |   |               |     |       |                 |          |           | -  | -  | -  | -  | -  | -  | -  | -  | -  | -  | -  | 42 | -  | -  | -  | -  | -  | -      | -        | - |   |
|  |                      |   |               |     |       |                 |          |           | 46   | -  | 48 | 49 | -  | 51 | 52 | 53 | 54 | 55 | 56 | 57 | 58 | 59 | 60 | 86 | -  | -      | -        | - |   |
|  |                      |   |               |     |       |                 |          |           | 61   | -  | -  | -  | -  | 66 | 67 | 68 | 69 | 70 | 71 | 72 | -  | 74 | -  | 91 | 92 | -      | -        | - |   |
| GPEC RCPT CONN 95 CKT TOP LVR KEY 3/43 | 349925013            | 3-BLACK   | IH            | PLR | LT    | LA              | M        | R         | -  | 2  | -  | 4  | -  | -  | 7  | 8  | -  | -  | -  | 12 | 13 | 14 | 15 | -  | 77 | 78     | 79       | - |   |
|  |                      |   |               |     |       |                 |          |           | 16   | 17 | 18 | -  | 20 | 21 | 22 | 23 | -  | 25 | 26 | -  | 28 | 29 | 30 | 81 | -  | -      | -        | - |   |
|  |                      |   |               |     |       |                 |          |           | -  | -  | -  | -  | -  | -  | -  | -  | -  | 40 | -  | 42 | -  | -  | -  | -  | -  | -      | -        | - |   |
|  |                      |   |               |     |       |                 |          |           | 46   | 47 | 48 | 49 | -  | 51 | 52 | 53 | 54 | 55 | 56 | 57 | 58 | 59 | 60 | 86 | -  | -      | -        | - |   |
|  |                      |   |               |     |       |                 |          |           | 61   | -  | -  | -  | -  | 66 | 67 | 68 | 69 | 70 | 71 | 72 | -  | 74 | -  | 91 | 92 | -      | -        | - |   |
| GPEC RCPT CONN 95 CKT TOP LVR KEY 3/42 | 349925014            | 3-BLACK   | IH            | PLR | LT    | LA              | M        | R         | -  | -  | -  | -  | -  | 6  | -  | -  | -  | -  | 11 | 12 | -  | -  | 15 | -  | -  | -      | -        | - |   |
|  |                      |   |               |     |       |                 |          |           | -  | -  | -  | -  | -  | 21 | 22 | 23 | -  | 25 | -  | 27 | -  | 29 | -  | -  | -  | -      | -        | - |   |
|  |                      |   |               |     |       |                 |          |           | 31   | 32 | 33 | 34 | 35 | -  | 37 | -  | 39 | -  | 41 | -  | 43 | 44 | 45 | -  | -  | -      | -        | - |   |
|  |                      |   |               |     |       |                 |          |           | 46   | 47 | 48 | -  | 50 | 51 | -  | 53 | 54 | 55 | 56 | 57 | 58 | -  | -  | -  | 87 | 88     | 89       | - |   |
|  |                      |   |               |     |       |                 |          |           | 61   | 62 | 63 | 64 | 65 | 66 | 67 | 68 | 69 | 70 | 71 | 72 | 73 | 74 | 75 | -  | 92 | 93     | 94       | - |   |
| GPEC RCPT CONN 95 CKT TOP LVR KEY 3/42 | 349925015            | 3-BLACK   | IH            | PLR | LT    | LA              | M        | R         | 1  | -  | -  | 4  | 5  | -  | -  | -  | -  | 10 | -  | -  | -  | -  | -  | -  | -  | -      | -        | - |   |
|  |                      |   |               |     |       |                 |          |           | -  | 17 | -  | 19 | -  | 21 | -  | 23 | 24 | 25 | -  | -  | -  | -  | -  | -  | -  | -      | -        | - |   |
|  |                      |   |               |     |       |                 |          |           | 31   | 32 | 33 | -  | 35 | -  | 37 | -  | 39 | -  | 41 | 42 | 43 | 44 | 45 | -  | -  | -      | -        | - |   |
|  |                      |   |               |     |       |                 |          |           | -  | -  | 48 | 49 | 50 | 51 | 52 | 53 | -  | 55 | 56 | -  | 58 | 59 | 60 | -  | 87 | 88     | 89       | - |   |
|  |                      |   |               |     |       |                 |          |           | 61   | 62 | 63 | 64 | 65 | 66 | 67 | 68 | 69 | 70 | 71 | 72 | 73 | 74 | 75 | -  | 92 | 93     | 94       | - |   |
| GPEC RCPT CONN 95 CKT TOP LVR KEY 3/51 | 349925016            | 3-BLACK   | IH            | PLR | LT    | LA              | M        | R         | -  | -  | -  | 4  | 5  | -  | -  | -  | -  | -  | -  | -  | -  | -  | -  | -  | -  | -      | -        | - |   |
|  |                      |   |               |     |       |                 |          |           | -  | -  | -  | -  | -  | 21 | -  | 23 | 24 | 25 | 26 | 27 | -  | 29 | -  | 81 | 82 | -      | -        | - |   |
|  |                      |   |               |     |       |                 |          |           | -  | 32 | 33 | -  | 35 | -  | 37 | -  | -  | -  | -  | -  | 43 | 44 | -  | -  | -  | -      | -        | - |   |
|  |                      |   |               |     |       |                 |          |           | -  | -  | -  | -  | 50 | -  | 52 | 53 | 54 | 55 | -  | -  | 58 | 59 | 60 | -  | -  | 88     | 89       | - |   |
|  |                      |   |               |     |       |                 |          |           | 61   | 62 | 63 | 64 | 65 | 66 | 67 | 68 | 69 | 70 | 71 | 72 | 73 | 74 | 75 | -  | -  | 93     | 94       | - |   |





**BOM AND PIN OUT SHEET**

| ASSEMBLY DESCRIPTION                   | ASSEMBLY PART NUMBER | COMPONENT   |               |     |       |                 |          |           | BLOCKED TERMINALS  |    |    |    |    |    |    |    |    |    |    |    |    |    |    |    |    | STATUS | COMMENTS |    |          |  |   |
|--|----------------------|---|---------------|-----|-------|-----------------|----------|-----------|--|----|----|----|----|----|----|----|----|----|----|----|----|----|----|----|----|--------|----------|----|----------|--|---|
|  |                      | THE PRESENCE OF AN ABBREVIATION INDICATES THE PRESENCE OF THAT COMPONENT. |               |     |       |                 |          |           | CAVITY WITH A NUMBER INDICATES BLOCKED TERMINAL POSITION<br>CAVITY WITHOUT A NUMBER INDICATES OPEN TERMINAL POSITION |    |    |    |    |    |    |    |    |    |    |    |    |    |    |    |    |        |          |    |          |  |   |
|  |                      | OUTER HOUSING KEY/COLOR   | INNER HOUSING | PLR | LEVER | LEVER ARM (x/2) | MAT SEAL | RING SEAL |  |    |    |    |    |    |    |    |    |    |    |    |    |    |    |    |    |        |          |    |          |  |   |
| GPEC RCPT CONN 95 CKT TOP LVR KEY 4/54 | 349927007            | 4-BLACK   | IH            | PLR | LT    | LA              | M        | R         | -  | -  | 3  | 4  | 5  | -  | -  | -  | 9  | -  | -  | -  | -  | -  | 15 | -  | 77 | 78     | 79       | 80 | SALEABLE |  |   |
|  |                      |   |               |     |       |                 |          |           | 16   | 17 | 18 | 19 | 20 | -  | -  | 23 | 24 | 25 | 26 | -  | 28 | -  | -  | -  | -  | -      | -        | -  |          |  |   |
|  |                      |   |               |     |       |                 |          |           | -  | -  | -  | -  | -  | -  | -  | 38 | -  | -  | -  | -  | -  | 44 | -  | -  | -  | -      | -        | -  |          |  |   |
|  |                      |   |               |     |       |                 |          |           | 46   | 47 | -  | 49 | -  | 51 | -  | -  | 54 | -  | 56 | -  | -  | 59 | -  | 86 | -  | -      | -        | -  |          |  |   |
|  |                      |   |               |     |       |                 |          |           | 61   | -  | -  | -  | -  | 66 | 67 | 68 | 69 | 70 | 71 | -  | 73 | 74 | 75 | 91 | -  | -      | -        | 95 |          |  |   |
| GPEC RCPT CONN 95 CKT TOP LVR KEY 4/46 | 349927008            | 4-BLACK   | IH            | PLR | LT    | LA              | M        | R         | -  | -  | 3  | 4  | -  | -  | -  | -  | 9  | -  | -  | 12 | 13 | -  | 15 | -  | 77 | 78     | 79       | 80 | SALEABLE |  |   |
|  |                      |   |               |     |       |                 |          |           | 16   | 17 | 18 | 19 | 20 | 21 | -  | 23 | 24 | 25 | 26 | -  | 28 | -  | 30 | -  | -  | -      | -        | 85 |          |  |   |
|  |                      |   |               |     |       |                 |          |           | -  | -  | -  | -  | -  | -  | -  | 38 | -  | -  | -  | -  | 43 | 44 | 45 | -  | -  | -      | -        | -  |          |  |   |
|  |                      |   |               |     |       |                 |          |           | 46   | 47 | 48 | 49 | -  | 51 | -  | 53 | 54 | -  | 56 | -  | -  | 59 | -  | 86 | -  | -      | -        | -  |          |  |   |
|  |                      |   |               |     |       |                 |          |           | 61   | -  | -  | -  | -  | 66 | 67 | 68 | 69 | 70 | 71 | -  | 73 | 74 | -  | 91 | -  | -      | 94       | 95 |          |  |   |
| GPEC RCPT CONN 95 CKT TOP LVR KEY 4/45 | 349927009            | 4-BLACK   | IH            | PLR | LT    | LA              | M        | R         | -  | -  | 3  | 4  | -  | 6  | 7  | 8  | 9  | -  | -  | 12 | 13 | -  | 15 | -  | 77 | 78     | 79       | 80 | SALEABLE |  |   |
|  |                      |   |               |     |       |                 |          |           | 16   | 17 | 18 | 19 | 20 | -  | -  | 23 | 24 | 25 | 26 | -  | 28 | -  | -  | -  | -  | -      | -        | 85 |          |  |   |
|  |                      |   |               |     |       |                 |          |           | -  | -  | -  | -  | -  | -  | -  | 38 | -  | -  | 41 | -  | 43 | 44 | 45 | -  | -  | -      | -        | -  |          |  |   |
|  |                      |   |               |     |       |                 |          |           | 46   | 47 | 48 | 49 | -  | 51 | -  | 53 | 54 | -  | 56 | -  | -  | 59 | -  | 86 | -  | -      | -        | -  |          |  |   |
|  |                      |   |               |     |       |                 |          |           | 61   | -  | -  | -  | -  | 66 | 67 | 68 | -  | 70 | 71 | -  | 73 | 74 | -  | 91 | -  | -      | 94       | 95 |          |  |   |
| GPEC RCPT CONN 95 CKT TOP LVR KEY 4/42 | 349927010            | 4-BLACK   | IH            | PLR | LT    | LA              | M        | R         | -  | -  | 3  | 4  | -  | 6  | 7  | 8  | 9  | -  | -  | 12 | 13 | -  | 15 | -  | 77 | 78     | 79       | 80 | SALEABLE |  |   |
|  |                      |   |               |     |       |                 |          |           | 16   | 17 | 18 | 19 | 20 | 21 | -  | 23 | 24 | 25 | 26 | -  | 28 | -  | 30 | -  | -  | -      | -        | 85 |          |  |   |
|  |                      |   |               |     |       |                 |          |           | -  | -  | -  | -  | -  | -  | -  | 38 | -  | -  | 41 | -  | 43 | 44 | 45 | -  | -  | -      | -        | -  |          |  |   |
|  |                      |   |               |     |       |                 |          |           | 46   | 47 | 48 | 49 | -  | 51 | -  | 53 | 54 | -  | 56 | -  | -  | 59 | -  | 86 | -  | -      | -        | -  |          |  |   |
|  |                      |   |               |     |       |                 |          |           | 61   | -  | -  | -  | -  | 66 | 67 | 68 | 69 | 70 | 71 | -  | 73 | 74 | -  | 91 | -  | -      | 94       | 95 |          |  |   |
| GPEC RCPT CONN 95 CKT TOP LVR KEY 4/47 | 349927011            | 4-BLACK   | IH            | PLR | LT    | LA              | M        | R         | -  | -  | 3  | 4  | 5  | -  | -  | -  | 9  | -  | -  | 12 | 13 | -  | 15 | -  | 77 | 78     | 79       | 80 | SALEABLE |  |   |
|  |                      |   |               |     |       |                 |          |           | 16   | 17 | 18 | -  | 20 | 21 | -  | 23 | 24 | 25 | 26 | -  | 28 | -  | 30 | -  | -  | -      | -        | 85 |          |  |   |
|  |                      |   |               |     |       |                 |          |           | -  | -  | -  | -  | -  | -  | -  | 38 | -  | -  | -  | -  | 43 | 44 | 45 | -  | -  | -      | -        | -  |          |  |   |
|  |                      |   |               |     |       |                 |          |           | 46   | 47 | -  | 49 | -  | 51 | -  | 53 | 54 | -  | 56 | -  | -  | 59 | -  | 86 | -  | -      | -        | -  |          |  |   |
|  |                      |   |               |     |       |                 |          |           | 61   | -  | -  | -  | -  | 66 | 67 | 68 | 69 | 70 | 71 | -  | 73 | 74 | -  | 91 | -  | -      | 94       | 95 |          |  |   |
| GPEC RCPT CONN 95 CKT TOP LVR KEY 4/52 | 349927012            | 4-BLACK   | IH            | PLR | LT    | LA              | M        | R         | 1  | 2  | 3  | 4  | 5  | 6  | -  | -  | 9  | -  | -  | -  | -  | 14 | 15 | -  | 77 | -      | 79       | 80 | SALEABLE |  |   |
|  |                      |   |               |     |       |                 |          |           | -  | 17 | 18 | 19 | 20 | -  | -  | 23 | 24 | 25 | -  | -  | 28 | -  | -  | -  | -  | -      | -        | 85 |          |  |   |
|  |                      |   |               |     |       |                 |          |           | -  | -  | -  | -  | -  | -  | -  | 37 | -  | -  | -  | -  | -  | 44 | -  | -  | -  | -      | -        | -  |          |  |   |
|  |                      |   |               |     |       |                 |          |           | 46   | -  | 48 | 49 | -  | 51 | -  | -  | -  | -  | 56 | -  | -  | 59 | -  | 86 | -  | -      | -        | -  |          |  |   |
|  |                      |   |               |     |       |                 |          |           | 61   | -  | 63 | 64 | -  | 66 | 67 | 68 | 69 | -  | 71 | -  | -  | 74 | 75 | 91 | 92 | -      | -        | 95 |          |  |   |
| GPEC RCPT CONN 95 CKT TOP LVR KEY 4/47 | 349927013            | 4-BLACK   | IH            | PLR | LT    | LA              | M        | R         | -  | -  | 3  | 4  | -  | -  | -  | -  | 9  | -  | -  | 12 | 13 | -  | 15 | -  | 77 | 78     | 79       | 80 | SALEABLE |  |   |
|  |                      |   |               |     |       |                 |          |           | 16   | 17 | 18 | -  | 20 | 21 | -  | 23 | 24 | 25 | 26 | -  | 28 | -  | 30 | -  | -  | -      | -        | 85 |          |  |   |
|  |                      |   |               |     |       |                 |          |           | -  | -  | -  | -  | -  | -  | -  | 38 | -  | -  | -  | -  | 43 | 44 | 45 | -  | -  | -      | -        | -  |          |  |   |
|  |                      |   |               |     |       |                 |          |           | 46   | 47 | 48 | 49 | -  | 51 | -  | 53 | 54 | -  | 56 | -  | -  | 59 | -  | 86 | -  | -      | -        | -  |          |  |   |
|  |                      |   |               |     |       |                 |          |           | 61   | -  | -  | -  | -  | 66 | 67 | 68 | 69 | 70 | 71 | -  | 73 | 74 | -  | 91 | -  | -      | 94       | 95 |          |  |   |
| GPEC RCPT CONN 95 CKT TOP LVR KEY 4/50 | 349927014            | 4-BLACK   | IH            | PLR | LT    | LA              | M        | R         | -  | -  | 3  | 4  | -  | -  | -  | -  | 9  | -  | -  | 12 | 13 | -  | 15 | -  | 77 | 78     | 79       | 80 | SALEABLE |  |   |
|  |                      |   |               |     |       |                 |          |           | 16   | 17 | 18 | -  | 20 | 21 | -  | 23 | 24 | 25 | 26 | -  | 28 | -  | 30 | -  | -  | -      | -        | 85 |          |  |   |
|  |                      |   |               |     |       |                 |          |           | -  | -  | -  | -  | -  | -  | -  | 38 | -  | -  | -  | -  | 43 | -  | -  | -  | -  | -      | -        | -  |          |  |   |
|  |                      |   |               |     |       |                 |          |           | 46   | 47 | -  | 49 | -  | 51 | 52 | 53 | 54 | -  | 56 | -  | -  | 59 | -  | 86 | -  | -      | -        | -  |          |  |   |
|  |                      |   |               |     |       |                 |          |           | -  | -  | -  | -  | -  | 66 | 67 | 68 | 69 | 70 | 71 | -  | 73 | 74 | -  | 91 | -  | -      | 94       | 95 |          |  |   |
| GPEC RCPT CONN 95 CKT TOP LVR KEY 4/52 | 349927015            | 4-BLACK   | IH            | PLR | LT    | LA              | M        | R         | 1  | -  | 3  | 4  | -  | 6  | -  | -  | 9  | -  | -  | -  | -  | -  | 15 | -  | -  | 78     | 79       | 80 | SALEABLE |  |   |
|  |                      |   |               |     |       |                 |          |           | 16   | 17 | -  | 19 | -  | 21 | -  | 23 | 24 | 25 | 26 | -  | 28 | 29 | 30 | -  | -  | -      | -        | 85 |          |  |   |
|  |                      |   |               |     |       |                 |          |           | -  | -  | -  | -  | -  | -  | -  | -  | -  | -  | -  | -  | 42 | -  | 44 | -  | -  | -      | -        | -  |          |  | - |
|  |                      |   |               |     |       |                 |          |           | 46   | -  | -  | 49 | -  | 51 | -  | 53 | 54 | 55 | 56 | -  | -  | 59 | -  | 86 | -  | -      | -        | -  |          |  |   |
|  |                      |   |               |     |       |                 |          |           | -  | -  | -  | 64 | -  | 66 | 67 | 68 | 69 | 70 | 71 | -  | -  | 74 | 75 | 91 | -  | -      | -        | 95 |          |  |   |
| GPEC RCPT CONN 95 CKT TOP LVR KEY 4/50 | 349927016            | 4-BLACK   | IH            | PLR | LT    | LA              | M        | R         | -  | -  | 3  | 4  | -  | -  | -  | -  | 9  | -  | -  | 12 | 13 | -  | 15 | -  | 77 | 78     | 79       | 80 | SALEABLE |  |   |
|  |                      |   |               |     |       |                 |          |           | 16   | 17 | 18 | -  | 20 | 21 | 22 | 23 | -  | 25 | 26 | -  | 28 | -  | 30 | -  | -  | -      | -        | 85 |          |  |   |
|  |                      |   |               |     |       |                 |          |           | -  | -  | -  | -  | -  | -  | -  | -  | -  | 40 | -  | 42 | -  | 44 | -  | -  | -  | -      | -        | -  |          |  |   |
|  |                      |   |               |     |       |                 |          |           | 46   | 47 | 48 | -  | -  | 51 | 52 | 53 | 54 | -  | 56 | -  | -  | 59 | -  | 86 | -  | -      | -        | -  |          |  |   |
|  |                      |   |               |     |       |                 |          |           | 61   | -  | -  | -  | -  | 66 | 67 | 68 | -  | 70 | 71 | 72 | 73 | 74 | -  | 91 | -  | -      | -        | 95 |          |  |   |

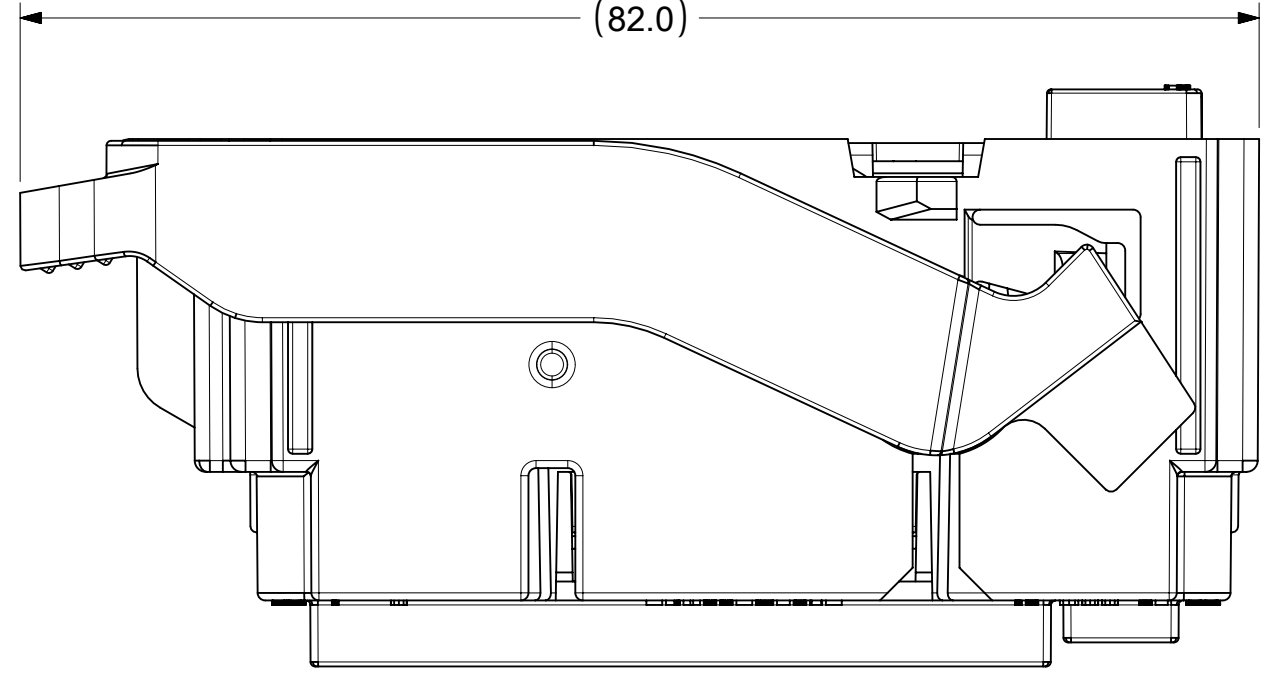
BOM AND PIN OUT SHEET

| ASSEMBLY DESCRIPTION                   | ASSEMBLY PART NUMBER | COMPONENT   |               |     |       |                 |          |           | BLOCKED TERMINALS  |   |   |   |   |   |   |   |   |   |   |   |    |    |    |    | STATUS | COMMENTS |   |   |    |    |   |    |          |          |   |    |   |    |          |    |    |    |    |    |    |    |    |   |    |    |    |    |   |          |   |    |    |    |          |    |    |    |    |    |    |    |    |    |    |    |    |    |    |    |    |    |    |          |          |   |    |   |    |    |    |    |    |    |   |    |    |    |    |   |   |   |    |          |  |
|--|----------------------|---|---------------|-----|-------|-----------------|----------|-----------|--|---|---|---|---|---|---|---|---|---|---|---|----|----|----|----|--------|----------|---|---|----|----|---|----|----------|----------|---|----|---|----|----------|----|----|----|----|----|----|----|----|---|----|----|----|----|---|----------|---|----|----|----|----------|----|----|----|----|----|----|----|----|----|----|----|----|----|----|----|----|----|----|----------|----------|---|----|---|----|----|----|----|----|----|---|----|----|----|----|---|---|---|----|----------|--|
|  |                      | THE PRESENCE OF AN ABBREVIATION INDICATES THE PRESENCE OF THAT COMPONENT. |               |     |       |                 |          |           | CAVITY WITH A NUMBER INDICATES BLOCKED TERMINAL POSITION<br>CAVITY WITHOUT A NUMBER INDICATES OPEN TERMINAL POSITION |   |   |   |   |   |   |   |   |   |   |   |    |    |    |    |        |          |   |   |    |    |   |    |          |          |   |    |   |    |          |    |    |    |    |    |    |    |    |   |    |    |    |    |   |          |   |    |    |    |          |    |    |    |    |    |    |    |    |    |    |    |    |    |    |    |    |    |    |          |          |   |    |   |    |    |    |    |    |    |   |    |    |    |    |   |   |   |    |          |  |
|  |                      | OUTER HOUSING KEY/COLOR   | INNER HOUSING | PLR | LEVER | LEVER ARM (x/2) | MAT SEAL | RING SEAL |  |   |   |   |   |   |   |   |   |   |   |   |    |    |    |    |        |          |   |   |    |    |   |    |          |          |   |    |   |    |          |    |    |    |    |    |    |    |    |   |    |    |    |    |   |          |   |    |    |    |          |    |    |    |    |    |    |    |    |    |    |    |    |    |    |    |    |    |    |          |          |   |    |   |    |    |    |    |    |    |   |    |    |    |    |   |   |   |    |          |  |
| GPEC RCPT CONN 95 CKT END LVR KEY 5/95 | 349928001            | 5-BLACK   | IH            | PLR | LE    | LA              | M        | R         | -  | - | - | - | - | - | - | - | - | - | - | - | -  | -  | -  | -  | -      | -        | - | - | -  | -  | - | -  | SALEABLE |          |   |    |   |    |          |    |    |    |    |    |    |    |    |   |    |    |    |    |   |          |   |    |    |    |          |    |    |    |    |    |    |    |    |    |    |    |    |    |    |    |    |    |    |          |          |   |    |   |    |    |    |    |    |    |   |    |    |    |    |   |   |   |    |          |  |
| GPEC RCPT CONN 95 CKT END LVR KEY 5/95 | 349928002            | 5-BLACK   | IH            | PLR | LE    | LA              | M        | R         | -  | - | - | - | - | - | - | - | - | - | - | - | -  | -  | -  | -  | -      | -        | - | - | -  | -  | - | -  | -        | SALEABLE |   |    |   |    |          |    |    |    |    |    |    |    |    |   |    |    |    |    |   |          |   |    |    |    |          |    |    |    |    |    |    |    |    |    |    |    |    |    |    |    |    |    |    |          |          |   |    |   |    |    |    |    |    |    |   |    |    |    |    |   |   |   |    |          |  |
| GPEC RCPT CONN 95 CKT END LVR KEY 5/49 | 349928003            | 5-BLACK   | IH            | PLR | LE    | LA              | M        | R         | -  | 2 | 3 | 4 | - | - | - | - | - | - | - | - | -  | 14 | 15 | -  | -      | -        | - | - | -  | -  | - | -  | -        | 81       | - | -  | - | 85 | SALEABLE |    |    |    |    |    |    |    |    |   |    |    |    |    |   |          |   |    |    |    |          |    |    |    |    |    |    |    |    |    |    |    |    |    |    |    |    |    |    |          |          |   |    |   |    |    |    |    |    |    |   |    |    |    |    |   |   |   |    |          |  |
| GPEC RCPT CONN 95 CKT END LVR KEY 5/56 | 349928004            | 5-BLACK   | IH            | PLR | LE    | LA              | M        | R         | -  | - | - | 4 | 5 | - | - | - | - | - | - | - | -  | -  | -  | -  | -      | -        | - | - | -  | -  | - | -  | -        | -        | - | -  | - | -  | 31       | 32 | -  | -  | -  | 37 | -  | 39 | -  | - | 42 | 43 | -  | -  | - | 87       | - | -  | -  | 61 | 62       | 63 | 64 | 65 | -  | 67 | 68 | -  | -  | -  | 72 | 73 | 74 | 75 | -  | 92 | 93 | 94 | -  | SALEABLE |          |   |    |   |    |    |    |    |    |    |   |    |    |    |    |   |   |   |    |          |  |
| GPEC RCPT CONN 95 CKT END LVR KEY 5/44 | 349928005            | 5-BLACK   | IH            | PLR | LE    | LA              | M        | R         | -  | - | - | - | 5 | - | - | - | - | - | - | - | -  | 12 | -  | -  | -      | -        | - | - | -  | -  | - | -  | -        | -        | - | -  | - | -  | 31       | 32 | 33 | 34 | 35 | -  | -  | -  | 39 | - | -  | -  | 43 | 44 | - | -        | - | 83 | 84 | 85 | 61       | 62 | 63 | 64 | 65 | 66 | 67 | 68 | 69 | 70 | 71 | 72 | 73 | 74 | 75 | -  | -  | -  | 94 | 95       | SALEABLE |   |    |   |    |    |    |    |    |    |   |    |    |    |    |   |   |   |    |          |  |
| GPEC RCPT CONN 95 CKT TOP LVR KEY 5/95 | 349929001            | 5-BLACK   | IH            | PLR | LT    | LA              | M        | R         | -  | - | - | - | - | - | - | - | - | - | - | - | -  | -  | -  | -  | -      | -        | - | - | -  | -  | - | -  | -        | -        | - | -  | - | -  | -        | -  | -  | -  | -  | -  | -  | -  | -  | - | -  | -  | -  | -  | - | SALEABLE |   |    |    |    |          |    |    |    |    |    |    |    |    |    |    |    |    |    |    |    |    |    |    |          |          |   |    |   |    |    |    |    |    |    |   |    |    |    |    |   |   |   |    |          |  |
| GPEC RCPT CONN 95 CKT TOP LVR KEY 5/51 | 349929002            | 5-BLACK   | IH            | PLR | LT    | LA              | M        | R         | -  | - | 3 | 4 | - | - | - | - | 9 | - | - | - | 12 | 13 | -  | 15 | -      | -        | - | - | 77 | 78 | - | 80 | 16       | 17       | - | 19 | - | 21 | -        | 23 | 24 | -  | -  | -  | 28 | 29 | 30 | - | -  | -  | -  | 85 | - | -        | - | -  | -  | 46 | 47       | 48 | -  | -  | 51 | 52 | 53 | 54 | -  | 56 | -  | -  | 59 | 60 | 86 | -  | -  | -  | -  | 61       | -        | - | 64 | - | 66 | 67 | 68 | 69 | 70 | 71 | - | 73 | 74 | 75 | 91 | - | - | - | 95 | SALEABLE |  |
| GPEC RCPT CONN 95 CKT TOP LVR KEY 5/95 | 349929003            | 5-BLACK   | IH            | PLR | LT    | LA              | M        | R         | -  | - | - | - | - | - | - | - | - | - | - | - | -  | -  | -  | -  | -      | -        | - | - | -  | -  | - | -  | -        | -        | - | -  | - | -  | -        | -  | -  | -  | -  | -  | -  | -  | -  | - | -  | -  | -  | -  | - | -        | - | -  | -  | -  | SALEABLE |    |    |    |    |    |    |    |    |    |    |    |    |    |    |    |    |    |    |          |          |   |    |   |    |    |    |    |    |    |   |    |    |    |    |   |   |   |    |          |  |
| GPEC RCPT CONN 95 CKT TOP LVR KEY 5/45 | 349929004            | 5-BLACK   | IH            | PLR | LT    | LA              | M        | R         | -  | - | 3 | 4 | - | 6 | 7 | 8 | 9 | - | - | - | 12 | 13 | -  | 15 | -      | -        | - | - | 77 | 78 | - | 80 | 16       | 17       | - | 19 | - | 21 | -        | 23 | 24 | -  | -  | -  | 28 | 29 | 30 | - | -  | -  | -  | 85 | - | -        | - | -  | -  | 46 | 47       | 48 | -  | -  | 51 | 52 | 53 | 54 | 55 | 56 | -  | -  | 59 | 60 | 86 | -  | -  | -  | -  | 61       | -        | - | 64 | - | 66 | 67 | 68 | 69 | 70 | 71 | - | 73 | 74 | 75 | 91 | - | - | - | 95 | SALEABLE |  |
| GPEC RCPT CONN 95 CKT TOP LVR KEY 5/48 | 349929005            | 5-BLACK   | IH            | PLR | LT    | LA              | M        | R         | -  | - | 3 | 4 | - | 6 | 7 | 8 | 9 | - | - | - | 12 | 13 | -  | 15 | -      | -        | - | - | 77 | 78 | - | 80 | 16       | 17       | - | 19 | - | 21 | -        | 23 | 24 | -  | -  | -  | 28 | 29 | 30 | - | -  | -  | -  | 85 | - | -        | - | -  | -  | 46 | 47       | 48 | -  | -  | 51 | -  | 53 | 54 | 55 | 56 | -  | -  | 59 | 60 | 86 | -  | -  | -  | -  | 61       | -        | - | 64 | - | 66 | 67 | 68 | 69 | 70 | 71 | - | 73 | 74 | 75 | 91 | - | - | - | 95 | SALEABLE |  |



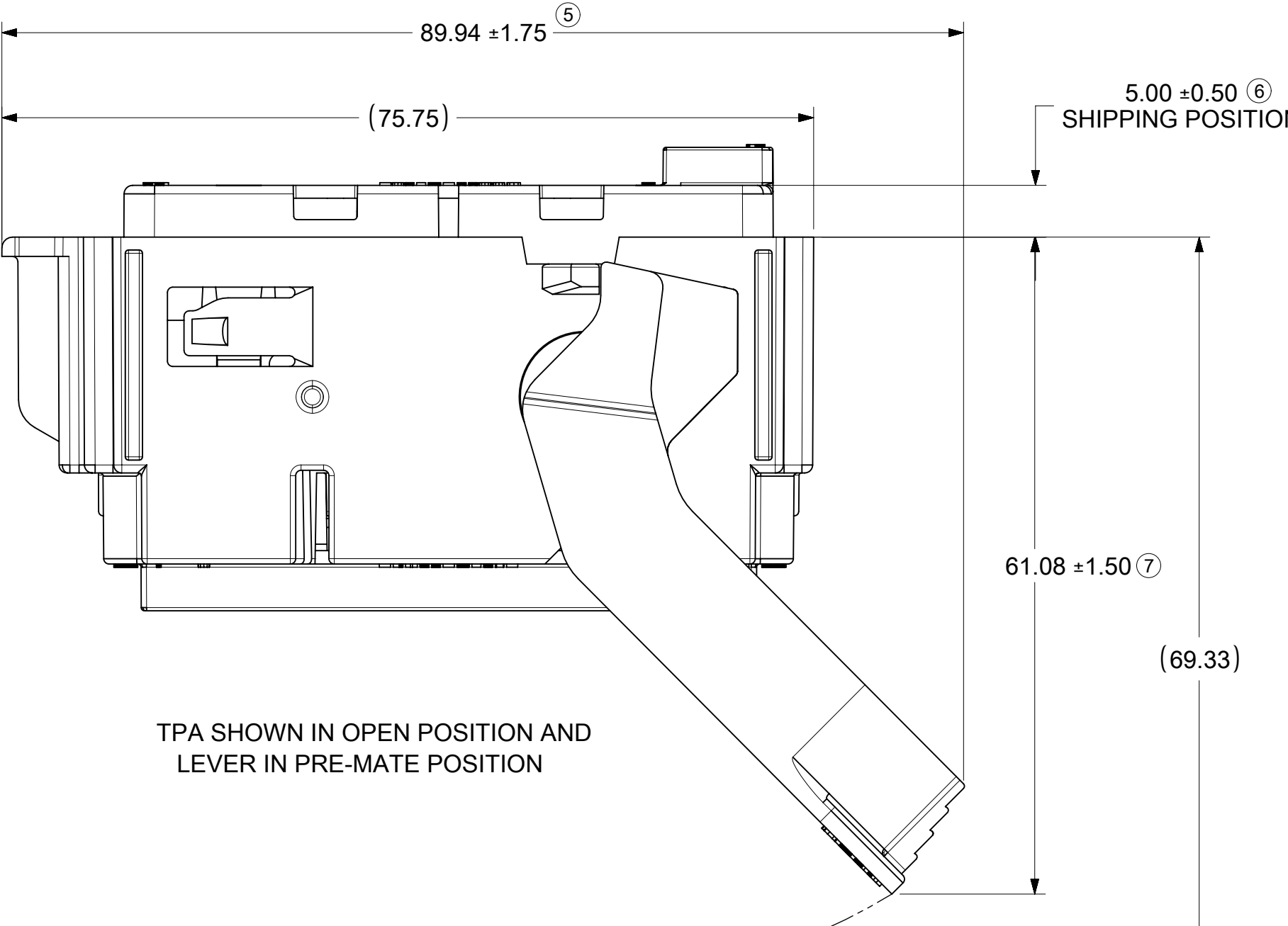
| ASSEMBLY DESCRIPTION                   | ASSEMBLY PART NUMBER | COMPONENT   |               |     |       |                 |          |           | BLOCKED TERMINALS  |    |    |    |    |    |    |    |   |    |    |    |    |    |    |    |    | STATUS | COMMENTS |   |   |   |   |   |   |   |   |   |   |   |   |   |   |   |   |   |   |   |   |   |   |
|--|----------------------|---|---------------|-----|-------|-----------------|----------|-----------|--|----|----|----|----|----|----|----|---|----|----|----|----|----|----|----|----|--------|----------|---|---|---|---|---|---|---|---|---|---|---|---|---|---|---|---|---|---|---|---|---|---|
|  |                      | THE PRESENCE OF AN ABBREVIATION INDICATES THE PRESENCE OF THAT COMPONENT. |               |     |       |                 |          |           | CAVITY WITH A NUMBER INDICATES BLOCKED TERMINAL POSITION<br>CAVITY WITHOUT A NUMBER INDICATES OPEN TERMINAL POSITION |    |    |    |    |    |    |    |   |    |    |    |    |    |    |    |    |        |          |   |   |   |   |   |   |   |   |   |   |   |   |   |   |   |   |   |   |   |   |   |   |
|  |                      | OUTER HOUSING KEY/COLOR   | INNER HOUSING | PLR | LEVER | LEVER ARM (x/2) | MAT SEAL | RING SEAL |  |    |    |    |    |    |    |    |   |    |    |    |    |    |    |    |    |        |          |   |   |   |   |   |   |   |   |   |   |   |   |   |   |   |   |   |   |   |   |   |   |
| GPEC RCPT CONN 95 CKT TOP LVR KEY 5/60 | 349929016            | 5-BLACK   | IH            | PLR | LT    | LA              | M        | R         | -  | -  | -  | 4  | -  | -  | -  | -  | - | 10 | -  | -  | -  | -  | -  | -  | -  | -      | -        | - | - | - | - | - | - | - | - | - | - | - | - | - | - | - |   |   |   |   |   |   |   |
|  |                      |   |               |     |       |                 |          |           | -  | -  | -  | -  | -  | -  | -  | 23 | - | -  | -  | -  | 27 | -  | -  | -  | -  | -      | -        | - | - | - | - | - | - | - | - | - | - | - | - | - | - | - | - | - | - | - |   |   |   |
|  |                      |   |               |     |       |                 |          |           | -  | 32 | -  | -  | -  | -  | -  | 37 | - | -  | -  | -  | -  | -  | 43 | 44 | 45 | -      | -        | - | - | - | - | - | - | - | - | - | - | - | - | - | - | - | - | - | - | - | - |   |   |
|  |                      |   |               |     |       |                 |          |           | -  | -  | 48 | 49 | -  | 51 | 52 | -  | - | 55 | 56 | -  | 58 | 59 | 60 | -  | -  | -      | -        | - | - | - | - | - | - | - | - | - | - | - | - | - | - | - | - | - | - | - | - | - |   |
|  |                      |   |               |     |       |                 |          |           | 61   | 62 | 63 | 64 | 65 | -  | 67 | 68 | - | -  | -  | -  | 72 | 73 | 74 | 75 | -  | -      | -        | - | - | - | - | - | - | - | - | - | - | - | - | - | - | - | - | - | - | - | - | - |   |
| GPEC RCPT CONN 95 CKT TOP LVR KEY 5/58 | 349929017            | 5-BLACK   | IH            | PLR | LT    | LA              | M        | R         | -  | -  | -  | 4  | -  | -  | -  | -  | - | 10 | -  | -  | -  | -  | -  | -  | -  | -      | -        | - | - | - | - | - | - | - | - | - | - | - | - | - | - | - | - |   |   |   |   |   |   |
|  |                      |   |               |     |       |                 |          |           | -  | -  | -  | -  | -  | -  | -  | 23 | - | -  | -  | -  | 27 | -  | -  | -  | -  | -      | -        | - | - | - | - | - | - | - | - | - | - | - | - | - | - | - | - | - | - | - | - |   |   |
|  |                      |   |               |     |       |                 |          |           | -  | 32 | -  | -  | -  | -  | -  | 37 | - | -  | -  | -  | -  | -  | 43 | 44 | 45 | -      | -        | - | - | - | - | - | - | - | - | - | - | - | - | - | - | - | - | - | - | - | - | - |   |
|  |                      |   |               |     |       |                 |          |           | -  | -  | 48 | 49 | -  | 51 | 52 | -  | - | 55 | 56 | -  | 58 | 59 | 60 | -  | -  | -      | -        | - | - | - | - | - | - | - | - | - | - | - | - | - | - | - | - | - | - | - | - | - | - |
|  |                      |   |               |     |       |                 |          |           | 61   | 62 | 63 | 64 | 65 | -  | 67 | 68 | - | 70 | 71 | 72 | 73 | 74 | 75 | -  | -  | -      | -        | - | - | - | - | - | - | - | - | - | - | - | - | - | - | - | - | - | - | - | - | - | - |

TERMINALS AND TPA SHOWN IN FINAL LOCKED POSITION  
SECTION X-X

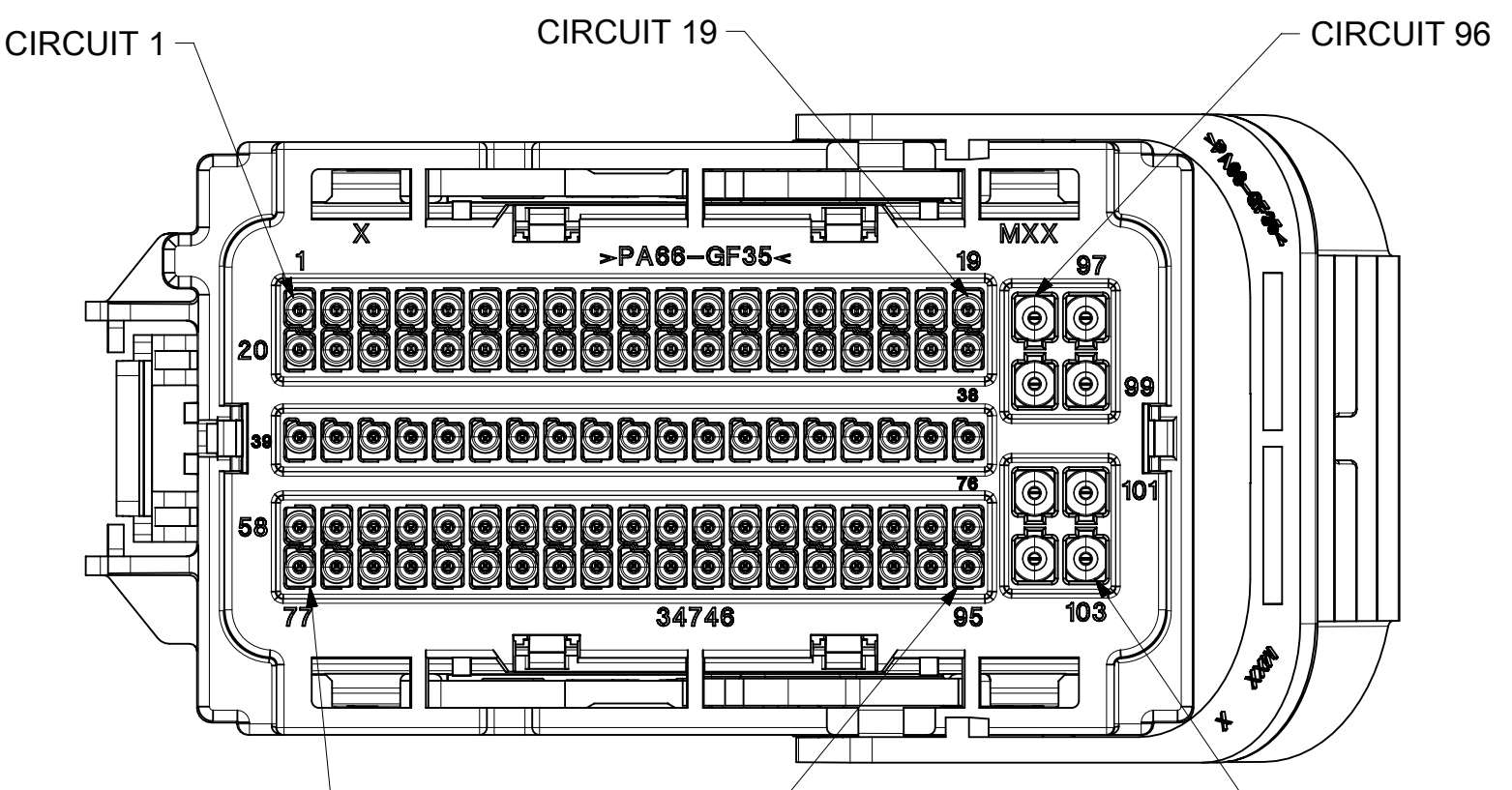


TPA SHOWN IN CLOSED POSITION AND LEVER IN MATE POSITION

AROUND-THE-END LEVER OPTION  
P/N 34993-0001, KEY 1

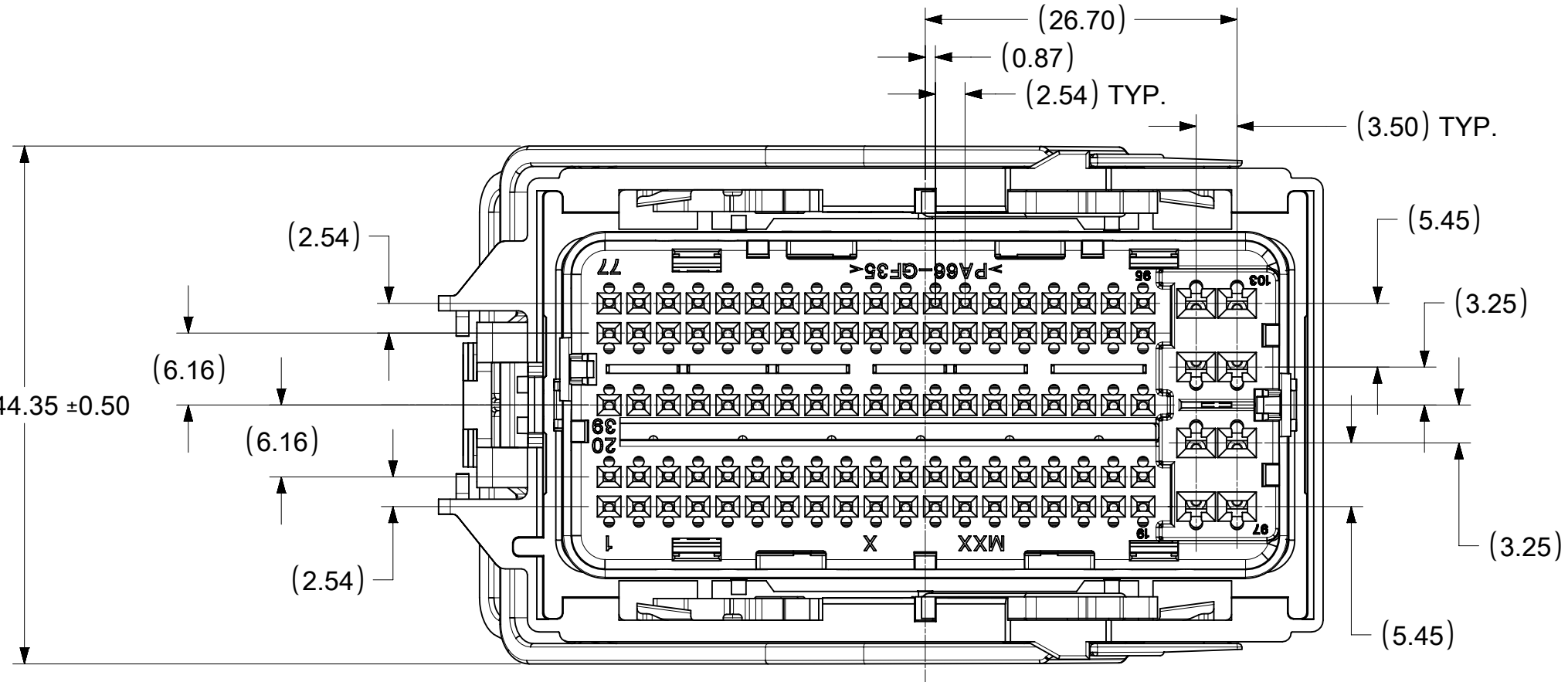


TPA SHOWN IN OPEN POSITION AND LEVER IN PRE-MATE POSITION

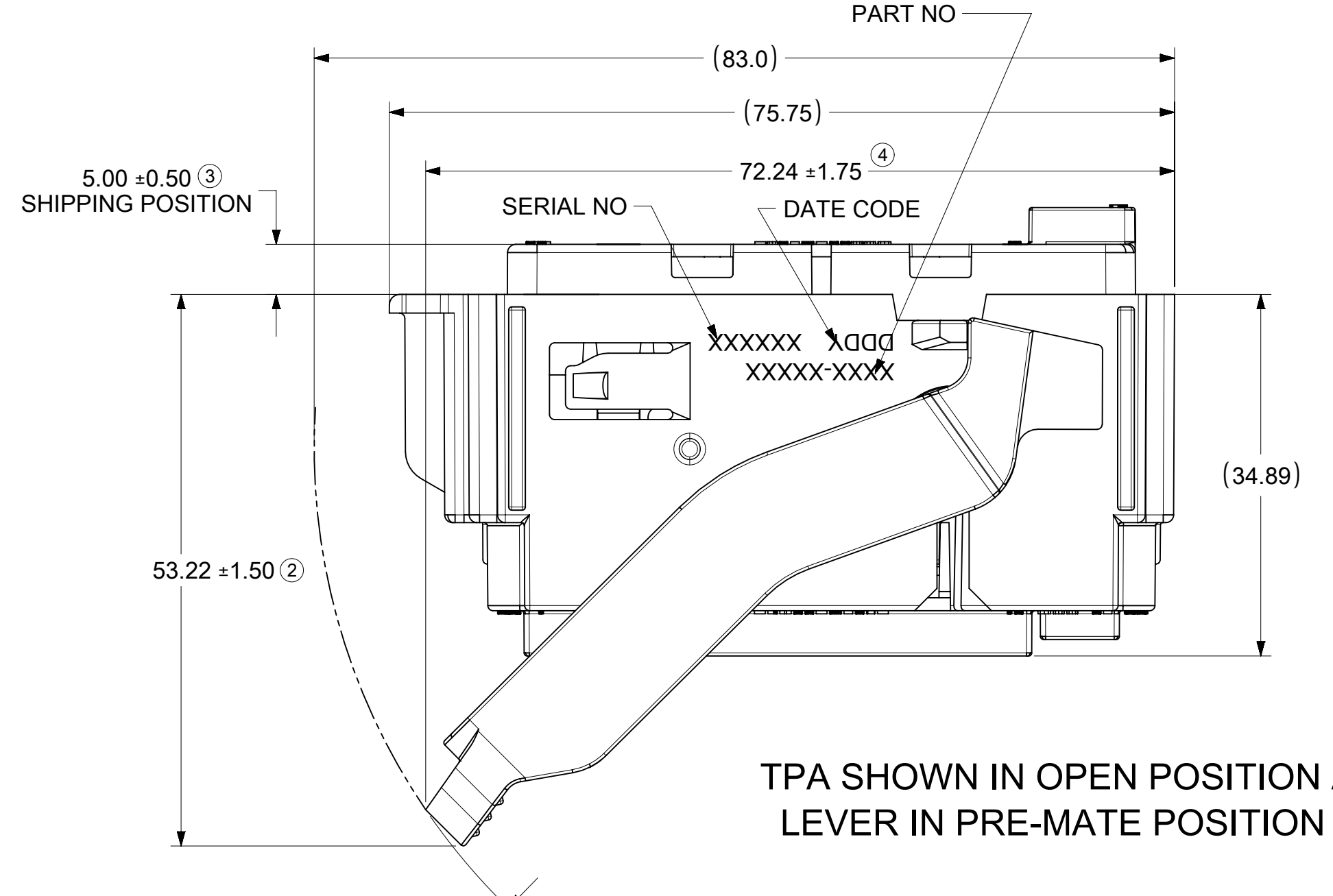
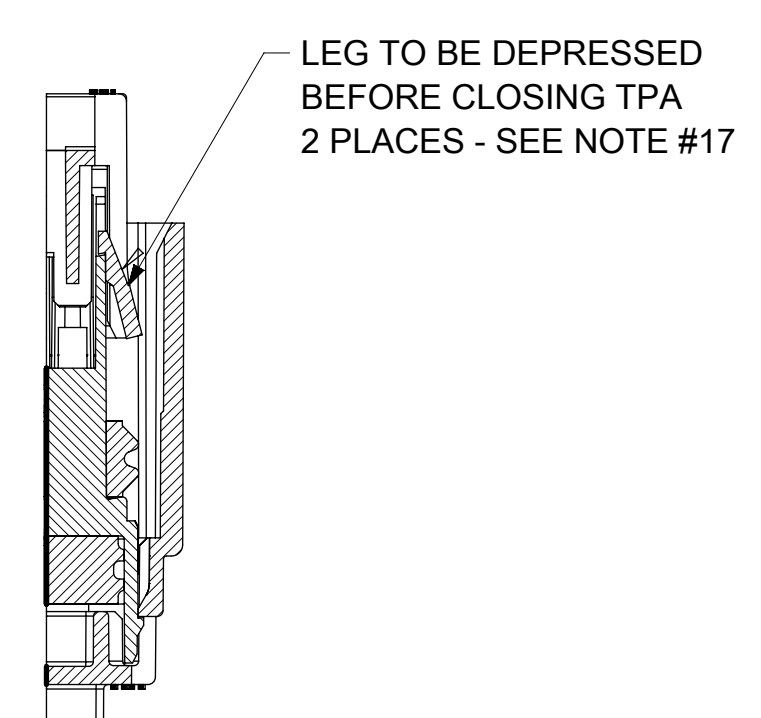


VIEW SHOWN WITH MOLDED IN CAVITY PLUGS

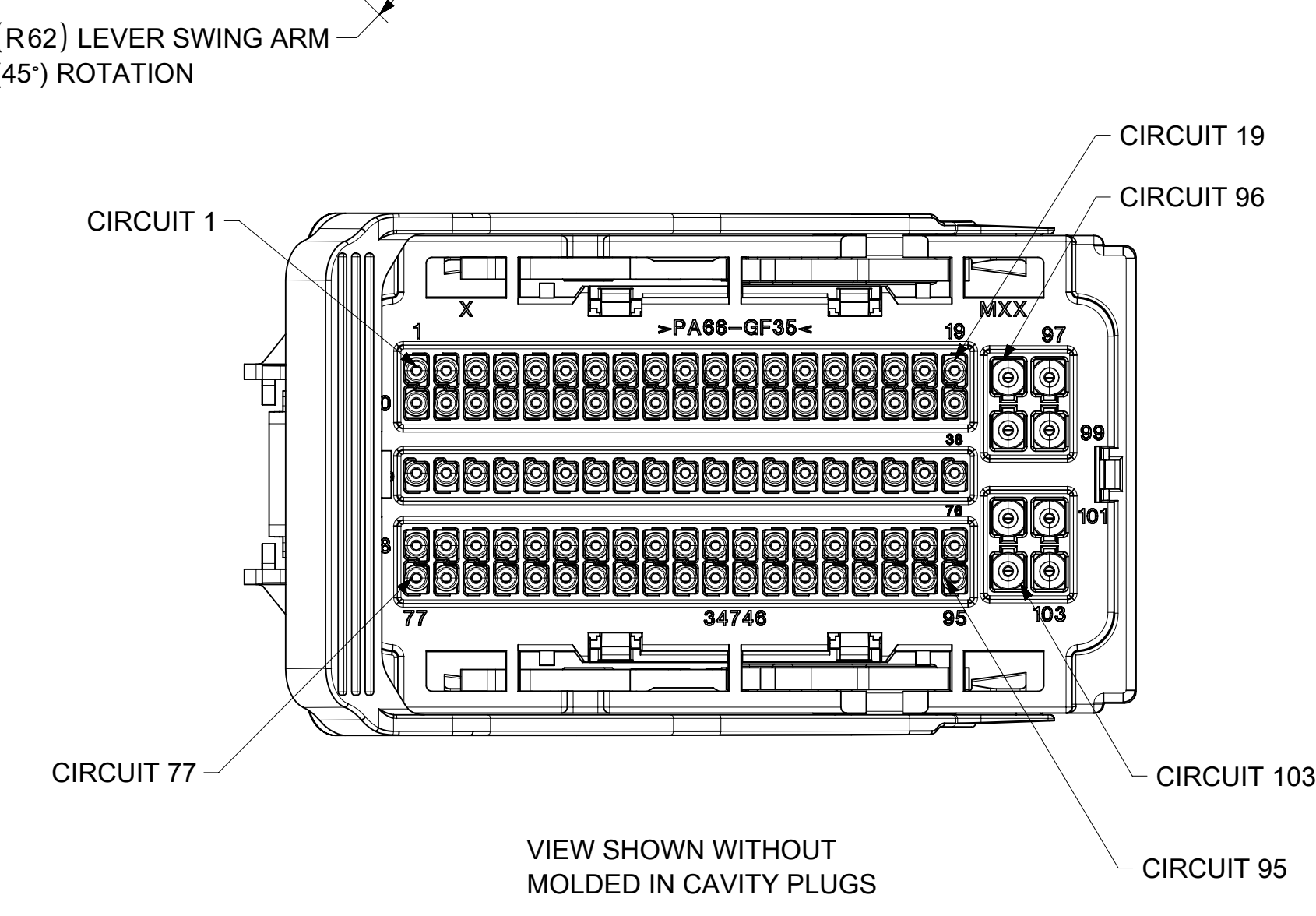
OVER-THE-TOP LEVER OPTION  
P/N 34993-1001, KEY 1



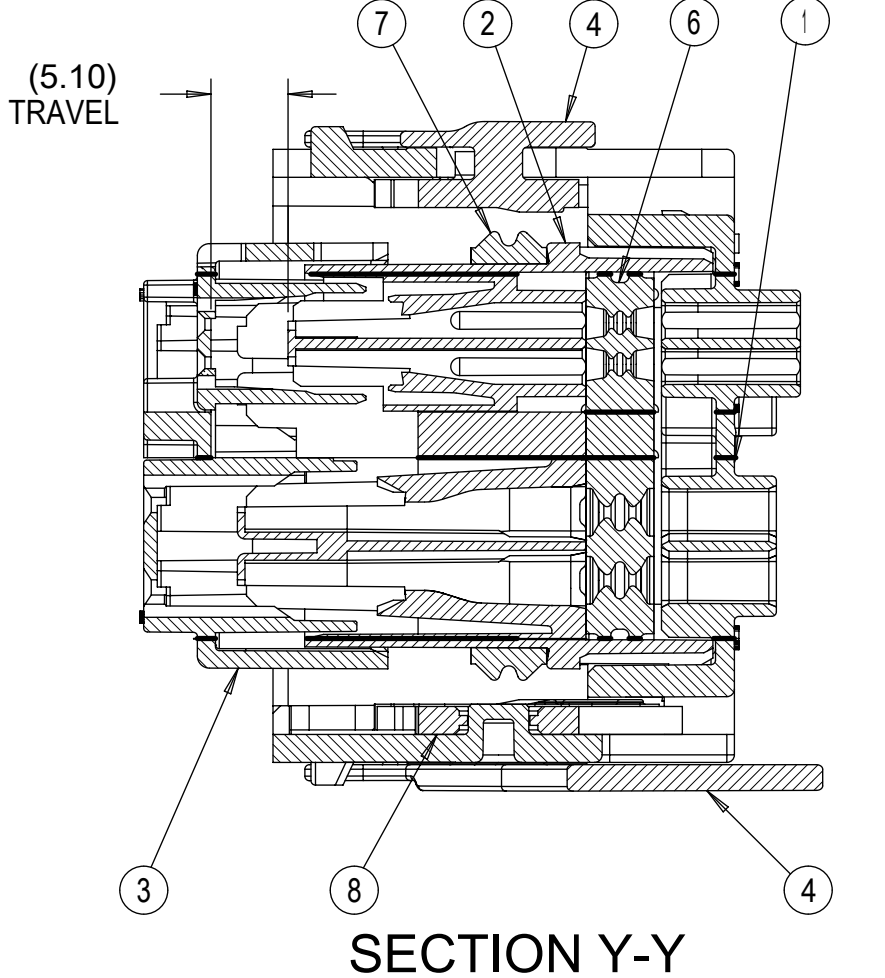
SECTION Z-Z



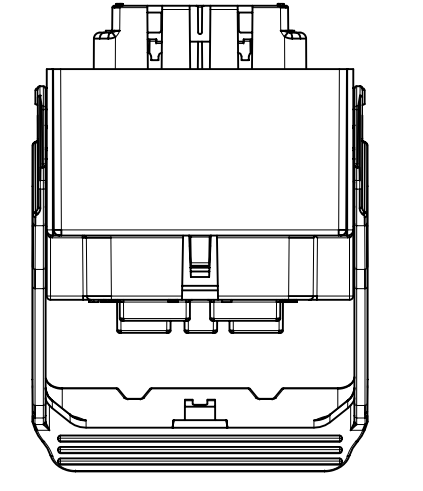
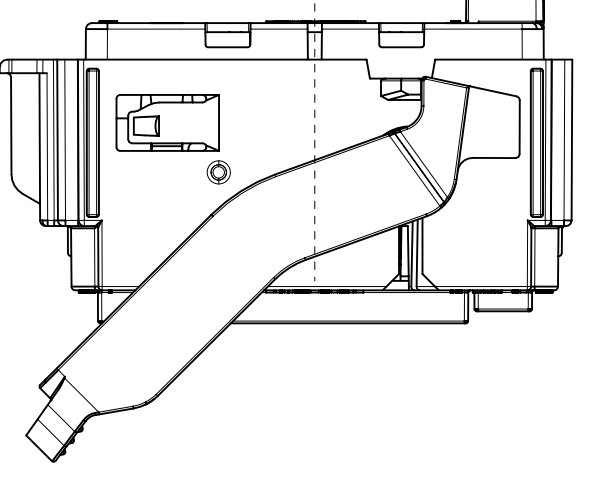
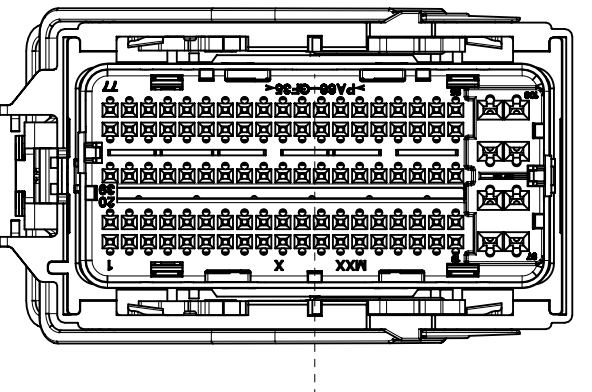
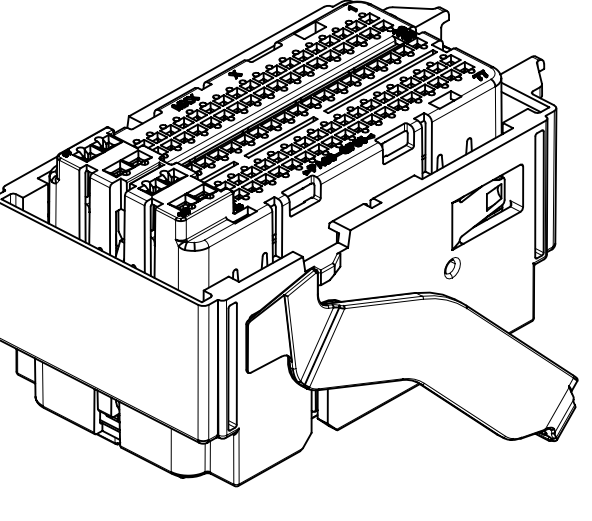
TPA SHOWN IN OPEN POSITION AND LEVER IN PRE-MATE POSITION



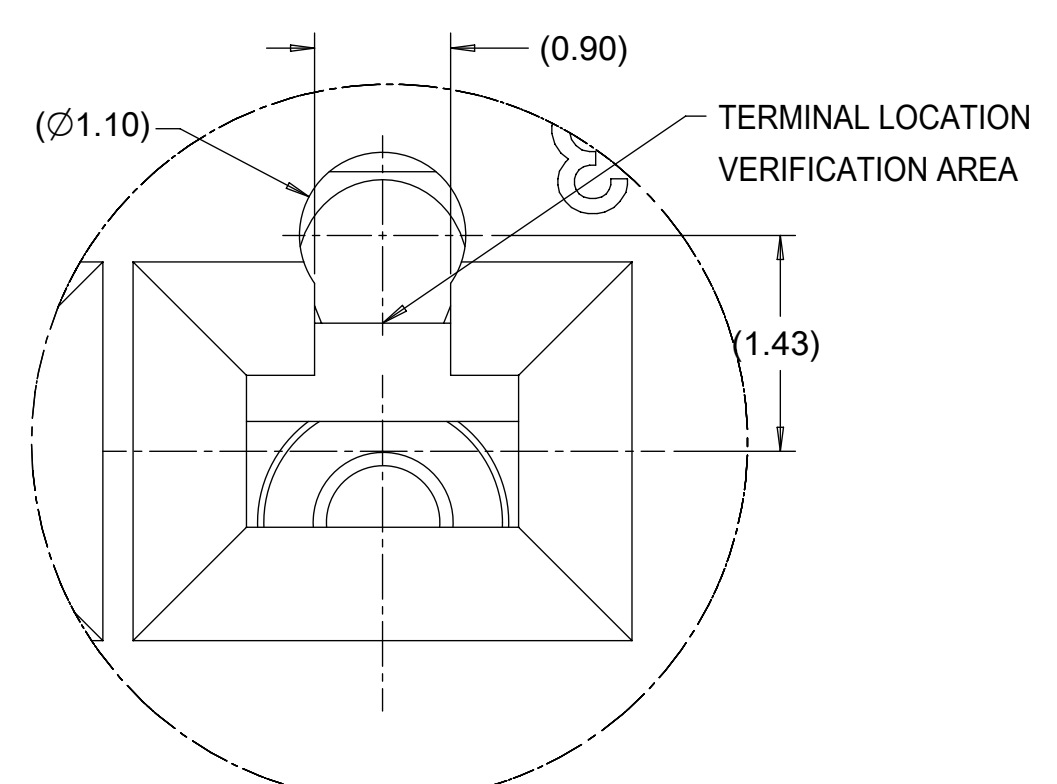
VIEW SHOWN WITHOUT MOLDED IN CAVITY PLUGS



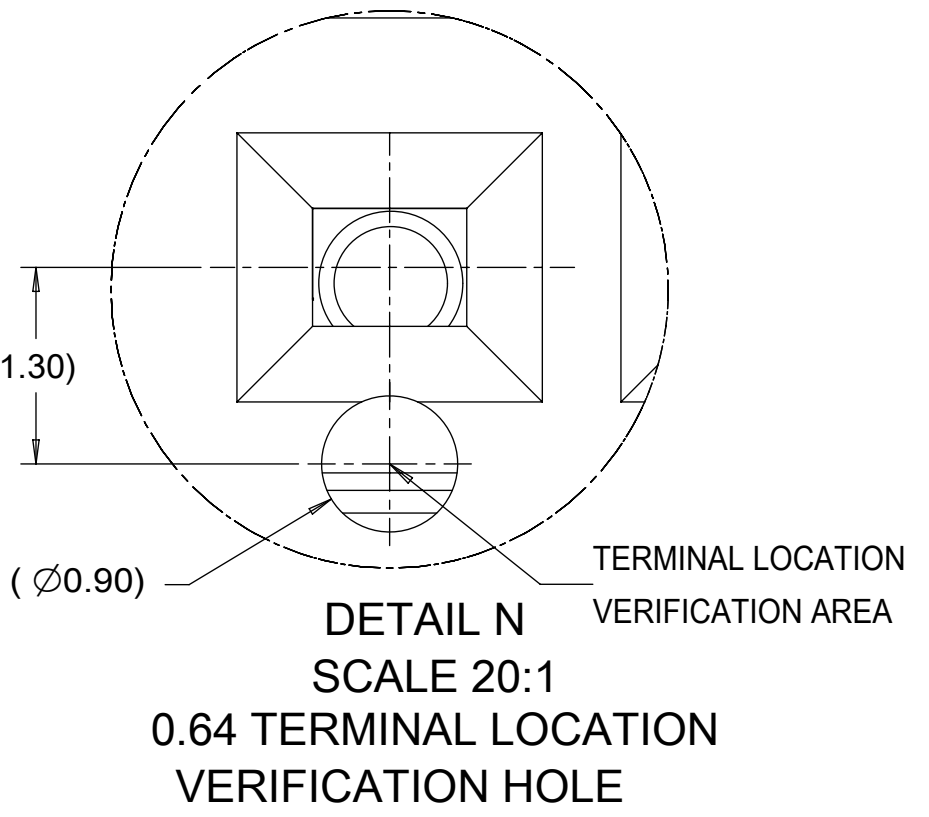
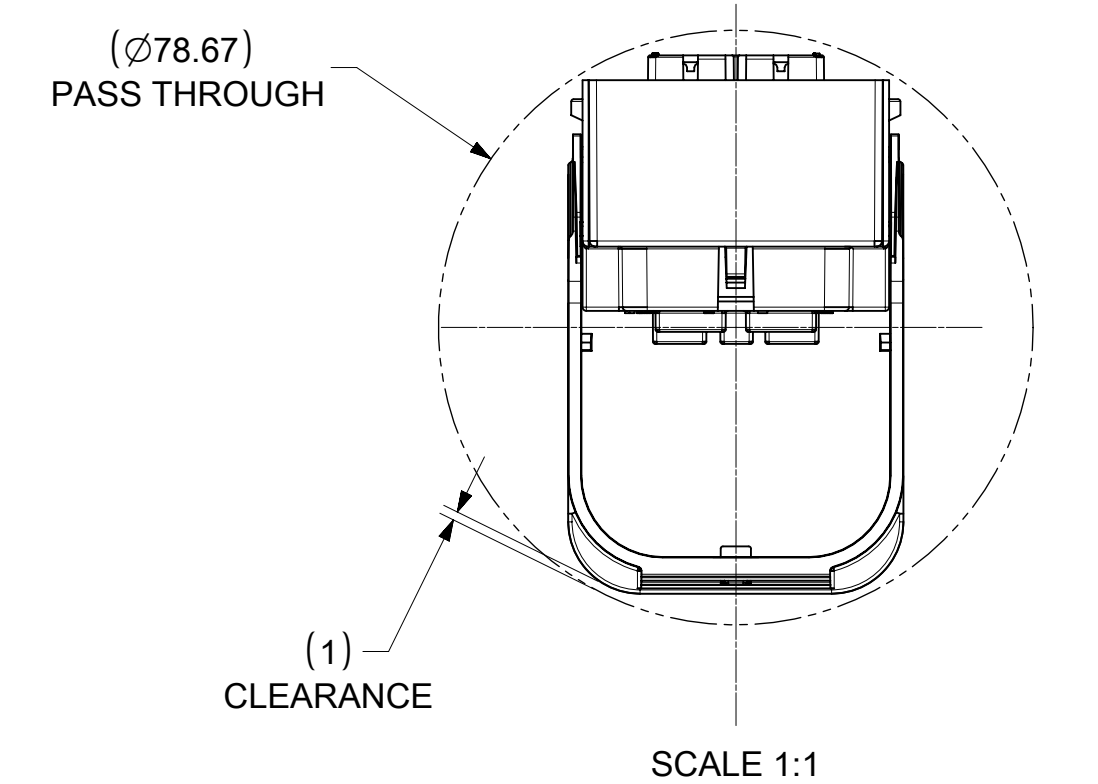
SECTION Y-Y



FULL SIZE VIEWS



DETAIL M  
SCALE 20:1  
1.5 TERMINAL LOCATION  
VERIFICATION HOLE



DETAIL N  
SCALE 20:1  
0.64 TERMINAL LOCATION  
VERIFICATION HOLE

| BILL OF MATERIAL |   |       |                   |  |         |                |                |  |  |   |   |
|------------------|---|-------|-------------------|--|---------|----------------|----------------|--|--|---|---|
| QTY.             |   | ITEMS | MOLEX PART NUMBER | DESCRIPTION                            | COLOR   | RECYCLING CODE | WEIGHT (GRAMS) |  |  |   |   |
|                  |   |       | 347460501         | OUTER SHROUD HOUSING KEYING OPTION "1" | BLACK   | >PA66-GF35<    | 26.84g         |  |  | 1 | 1 |
|                  |   |       | 347460502         | OUTER SHROUD HOUSING KEYING OPTION "2" | BLACK   | >PA66-GF35<    | 26.84g         |  |  | 1 | 1 |
|                  |   |       | 347460503         | OUTER SHROUD HOUSING KEYING OPTION "3" | BLACK   | >PA66-GF35<    | 26.84g         |  |  | 1 | 1 |
|                  |   |       | 347460504         | OUTER SHROUD HOUSING KEYING OPTION "4" | BLACK   | >PA66-GF35<    | 26.84g         |  |  | 1 | 1 |
| 1                | 1 |       | 347460505         | OUTER SHROUD HOUSING KEYING OPTION "5" | BLACK   | >PA66-GF35<    | 26.84g         |  |  | 1 | 1 |
| 1                | 1 | 1     | 347460300         | CAVITY SECTION HOUSING                 | BLACK   | >PA66-GF35<    | 19.71g         |  |  | 1 | 2 |
| 1                | 1 | 1     | 349930401         | TPA                                    | NATURAL | >PA66-GF35<    | 7.50g          |  |  | 1 | 3 |
|                  |   |       | 347450801         | MATE ASSIST LEVER END LATCH            | GRAY    | >PA66-GF35<    | 6.54g          |  |  | 1 | 4 |
|                  |   |       | 347450802         | MATE ASSIST LEVER OVER-THE-TOP         | GRAY    | >PA66-GF35<    | 6.10g          |  |  | 1 | 5 |
| 1                | 1 | 1     | 347460600         | GROMMET SEAL                           | LT BLUE | NA             | 5.97g          |  |  | 1 | 6 |
| 1                | 1 | 1     | 347450700         | INTERFACIAL SEAL                       | GREEN   | NA             | 1.47g          |  |  | 1 | 7 |
| 2                | 2 | 2     | 347450805         | LEVER ARM                              | GRAY    | >PA66-GF35<    | 0.55g          |  |  | 2 | 8 |

- NOTES: UNLESS OTHERWISE SPECIFIED
- PART MUST CONFORM TO USCAR/SAE-2 REV 5 DATED NOV2007. EXCEPTIONS: NONE
  - THE OPERATING ENVIRONMENT CRITERIA FOR THIS CONNECTOR SYSTEM IS USCAR TEMPERATURE CLASS 3, SEALING CLASS S3 AND VIBRATION CLASS V1.
  - ASSEMBLIES WILL ONLY PASS HIGH PRESSURE SPRAY REQUIREMENTS WITH WIRE DRESS COVER ATTACHED.
  - MAXIMUM LEVER ENGAGEMENT FORCE POPULATED WITH TERMINALS IS NOT TO EXCEED 75N.
  - TERMINAL TPA/PLR IS SHIPPED TO HARNESS MANUFACTURER IN PRE-LOAD POSITION AS SHOWN.
  - ALL PLASTIC PARTS MUST HAVE MATERIAL IDENTIFICATION SYMBOLS CLEARLY MARKED, WHEREVER PACKAGE SIZE PERMITS.
  - ENGINEERING APPROVAL REQUIRED FOR ALL SOURCING AND TOOLING OF THIS PART.
  - FOR ENGINEERING APPROVED SOURCE SEE ENGINEERING RELEASE.
  - ENGINEERING APPROVAL OF SAMPLE FROM SUPPLIER IS REQUIRED PRIOR TO AUTHORIZATION OF PART PRODUCTION.
  - CHANGES IN DESIGN COMPOSITION OR PROCESSING OF THE PART PREVIOUSLY APPROVED FOR PART PRODUCTION REQUIRES PRIOR ENGINEERING APPROVAL.
  - GENERAL TOLERANCE:  
LINEAR DIMENSION: +0.10  
ANGULAR DIMENSION: +3°
  - 0.3 MAXIMUM RADIUS PERMISSIBLE ON EDGES AND FILLETS SHOWN AS SHARP FOR PLASTIC PARTS.
  - PARTS ARE TO BE FREE OF SCRATCHES, DISCOLORATION, SALT RESIDUE, OR OTHER IMPERFECTIONS THAT MAY AFFECT FUNCTION OR FIT OF PART.
  - SOURCE IDENTIFICATION MARK, PRODUCTION DATE CODE, AND ASSEMBLY PART NUMBER MUST BE PERMANENTLY APPLIED ON THE PART WITH 1.5MM MINIMUM LETTER SIZE FROM THE BOTTOM TO THE TOP OF THE CHARACTERS AND LEGIBLE WHEREVER PACKAGE SIZE PERMITS OR OTHER AGREEMENTS ARE MADE. MARKING MAY BE LOCATED ON EITHER SIDE OF THE PART.
  - 25% MAXIMUM REGRIND ALLOWABLE IN MOLDED COMPONENTS.
  - SEE MOLEX APPLICATION SPEC AS-34992-001 FOR CONNECTOR SERVICE & USAGE INSTRUCTIONS.
  - OPTIONAL WIREDRESS COVERS FOR THE AROUND-THE-END LEVER OPTION ARE SHIPPED SEPARATELY
  - WIREDRESS COVER FOR THE OVER-THE-TOP LEVER OPTION IS SHIPPED SEPARATELY
  - OPTIONAL 0.64 LOOSE PIECE PLUG, 34676-0002, IS SHIPPED SEPARATELY
  - OPTIONAL 1.5 LOOSE PIECE PLUG, 34345-4001, IS SHIPPED SEPARATELY
  - MOLEX MX150 TERMINAL REMOVAL TOOL P/N 63813-1500
  - MOLEX 0.64 TERMINAL REMOVAL TOOL P/N 63813-3501
  - TPA/PLR MUST BE REMOVED TO SERVICE THE 0.64 TERMINALS
  - TPA SEATING TOOL P/N 346760200 / 346760201 SEE SHEET 2 FOR ADDITIONAL INFORMATION
  - FOR PINOUT AND DRESS COVER CONFIGURATION CHART SEE DOCUMENT: 349920002-SD

| DESCRIPTION            | NOMINAL TERMINAL SIZE | COLOR/PLATING | SUPPLIER PART NUMBER | MATERIAL/SPECIFICATION NUMBER | APPLICABLE WIRE SIZE ES-AU5T-1A348-AA REV A MIL 123A   |
|------------------------|-----------------------|---------------|----------------------|-------------------------------|--|
| TERMINAL - FEMALE (Ag) | 0.64                  | SILVER        | 2077131254           | COPPER ALLOY/SILVER PLATE     | 0.35mm <sup>2</sup> (DIA 1.20 - 1.40)<br>0.50mm <sup>2</sup> (DIA 1.40 - 1.70)<br>0.75mm <sup>2</sup> (DIA 1.70 - 1.90)  |
| TERMINAL - FEMALE (Ag) | 0.64                  | SILVER        | 2077131354           | COPPER ALLOY/SILVER PLATE     | 0.35mm <sup>2</sup> (DIA 1.20 - 1.40)<br>0.50mm <sup>2</sup> (DIA 1.40 - 1.70)<br>0.75mm <sup>2</sup> (DIA 1.70 - 1.90)  |
| TERMINAL - FEMALE (Sn) | 1.50                  | TIN           | 330122003            | COPPER ALLOY/TIN PLATE        | 22AWG(DIA 1.50 - 1.65)   |
| TERMINAL - FEMALE (Sn) | 1.50                  | TIN           | 330122004            | COPPER ALLOY/TIN PLATE        | 0.35mm <sup>2</sup> (DIA 1.20 - 1.40)<br>0.50mm <sup>2</sup> (DIA 1.40 - 1.70)<br>20AWG (DIA 1.70 - 1.85)<br>0.75mm <sup>2</sup> (DIA 1.70 - 1.90)<br>18AWG (DIA 1.91 - 2.06)<br>0.80mm <sup>2</sup> |
| TERMINAL - FEMALE (Sn) | 1.50                  | TIN           | 330122002            | COPPER ALLOY/TIN PLATE        | 16AWG (DIA 2.18 - 2.34)<br>1.50mm <sup>2</sup> (DIA 2.20 - 2.40)   |
| TERMINAL - FEMALE (Sn) | 1.50                  | TIN           | 330122001            | COPPER ALLOY/TIN PLATE        | 1.50mm <sup>2</sup> (DIA 2.20 - 2.40)  |

THIS DRAWING CONTAINS INFORMATION THAT IS PROPRIETARY TO MOLEX ELECTRONIC TECHNOLOGIES, LLC AND SHOULD NOT BE USED WITHOUT WRITTEN PERMISSION

SYMBOLS: DIMENSION UNITS: mm SCALE: 2:1

CURRENT REV DESC: NOTE AND TABLE UPDATED

EC NO: 677806  
DRWN: NBOHIDAR 2021/09/15  
CHK'D: BDICK01 2021/09/28  
APPR: BDICK01 2021/09/28

INITIAL REVISION:  
DRWN: NBOHIDAR 2018/09/01  
APPR: APROFFITT 2018/09/07

THIRD ANGLE PROJECTION

E-SIZE 34993

DOCUMENT NUMBER: 349930001-SD  
DOC TYPE: PSD  
DOC PART: 000  
REVISION: A8

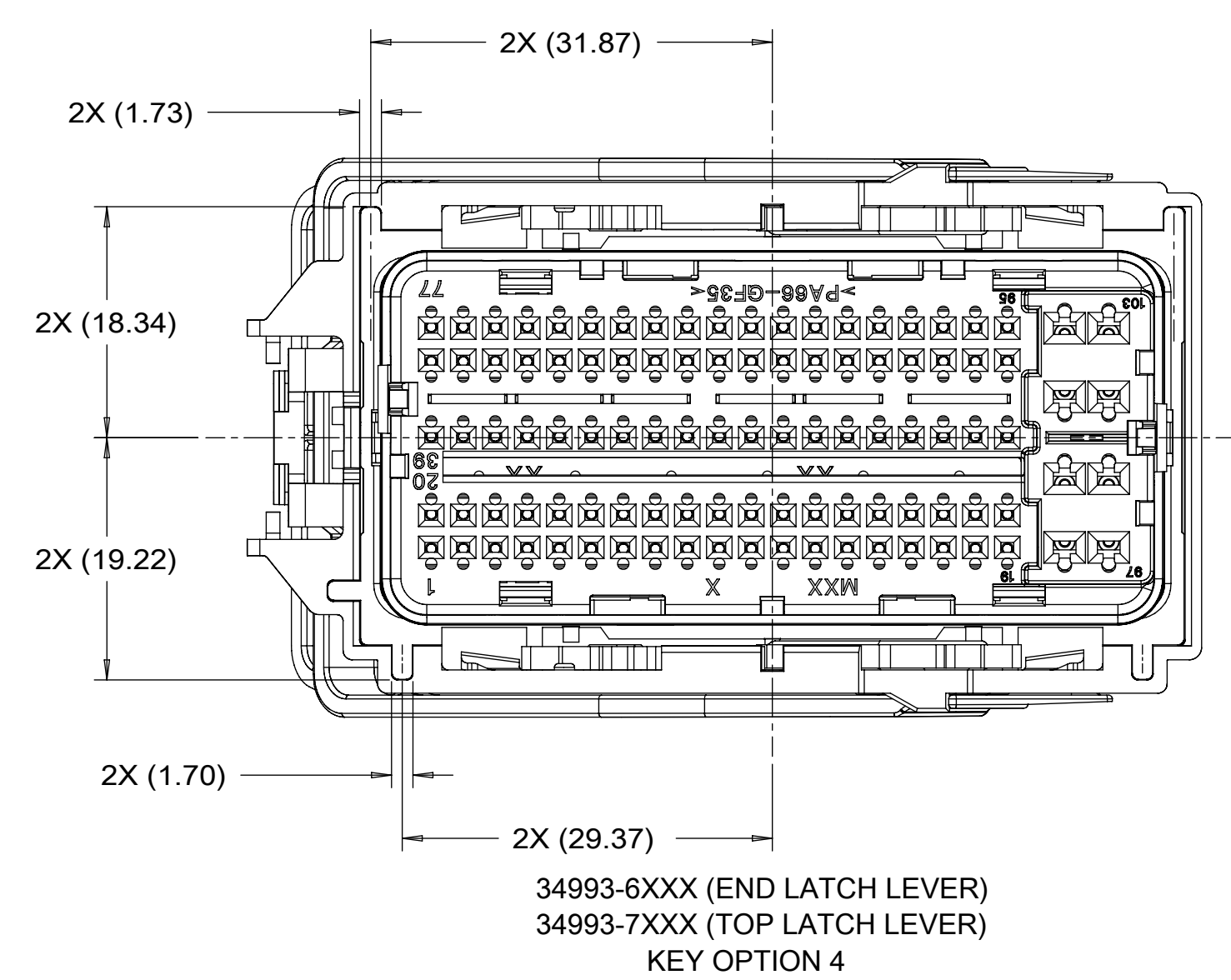
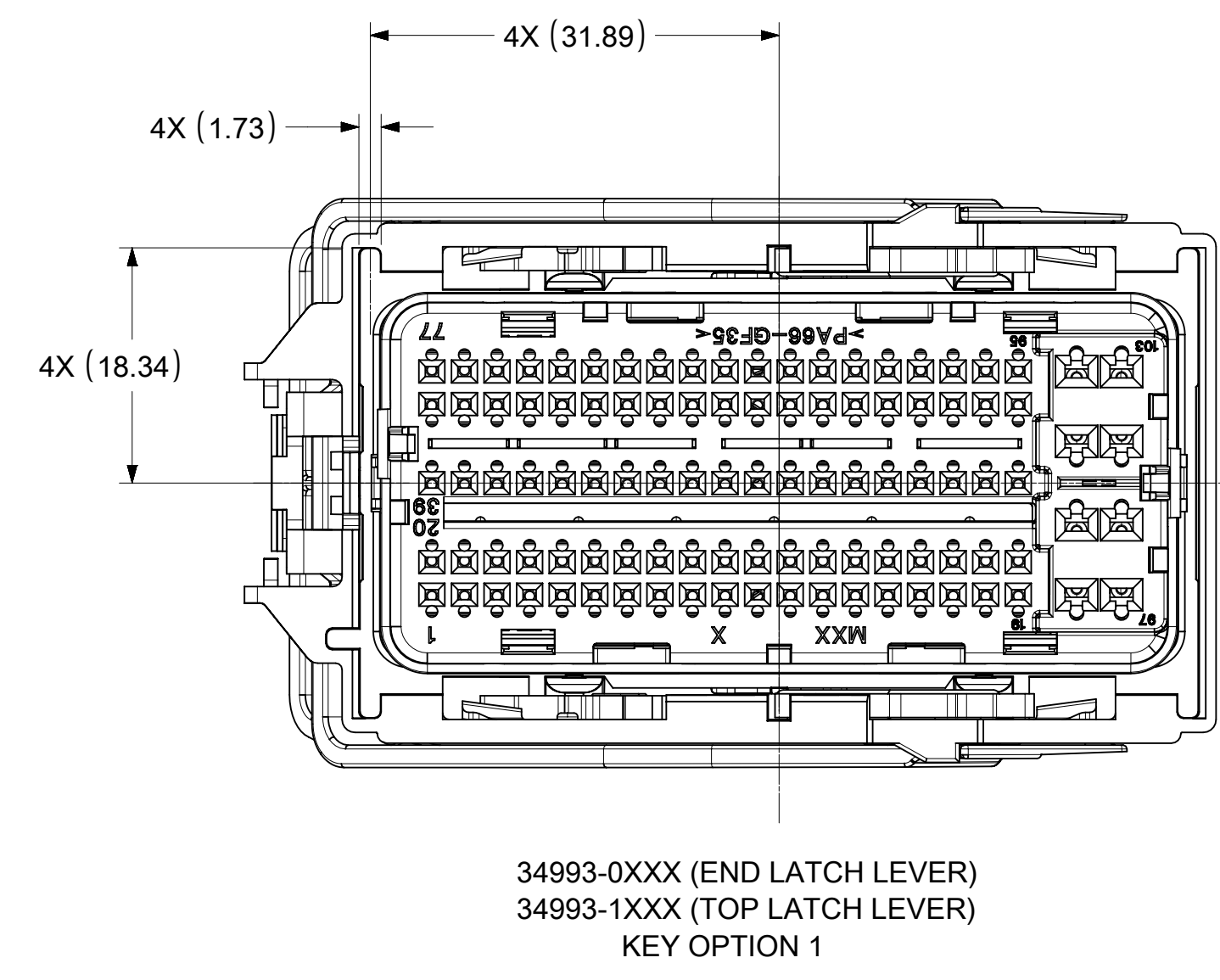
GPEC IV CONNECTOR ASSEMBLY  
103 CIRCUIT

PRODUCT CUSTOMER DRAWING

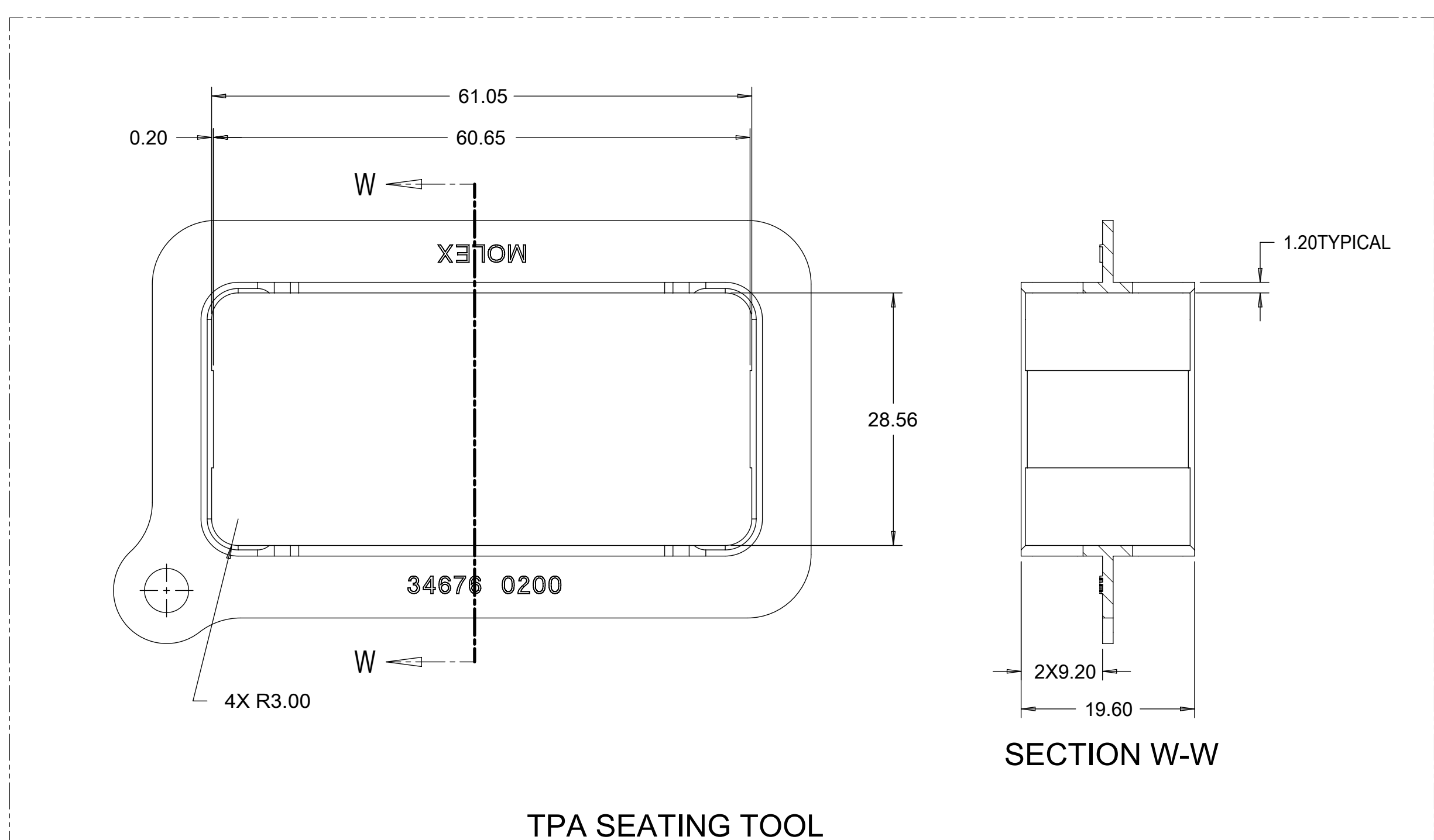
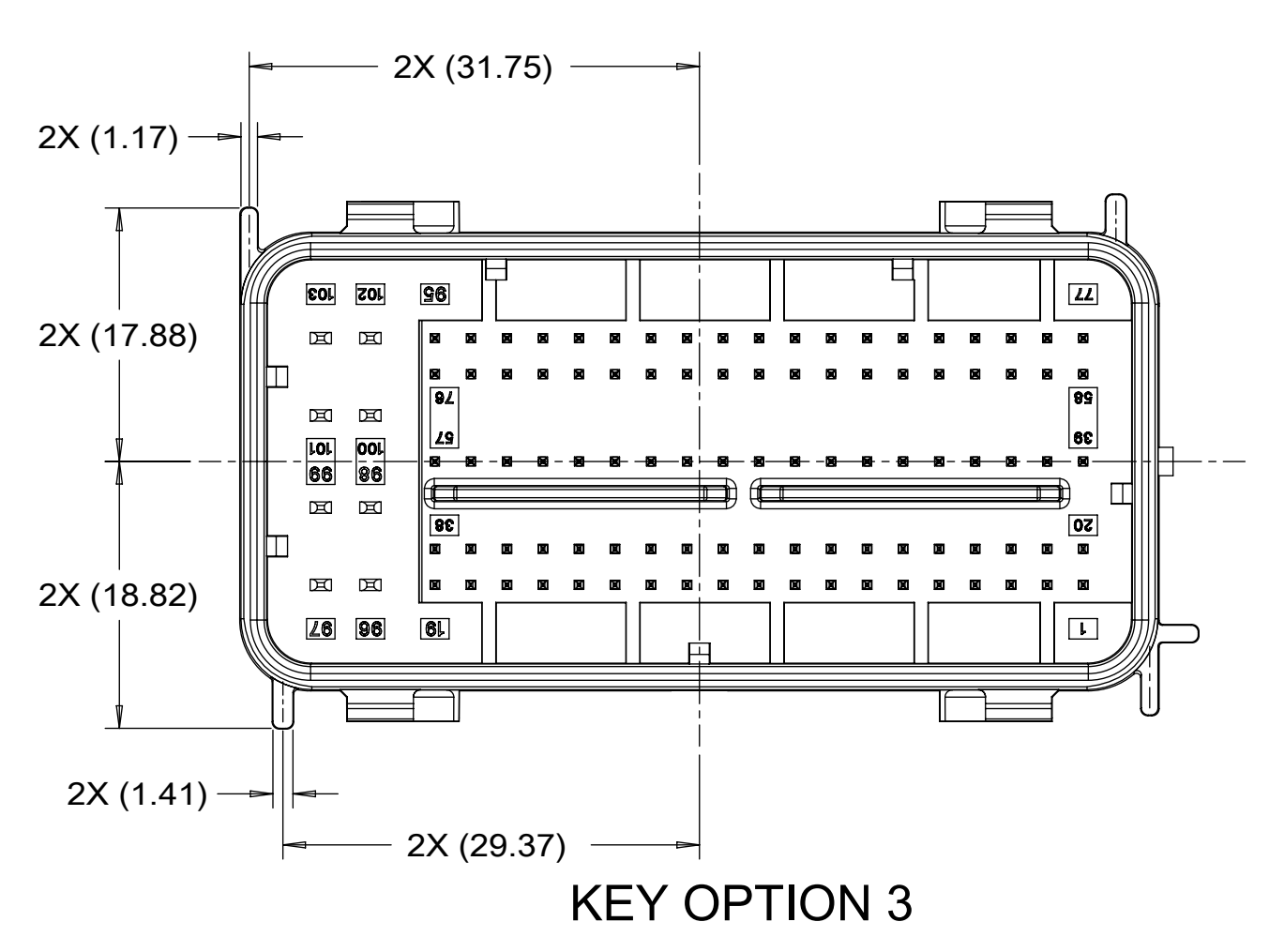
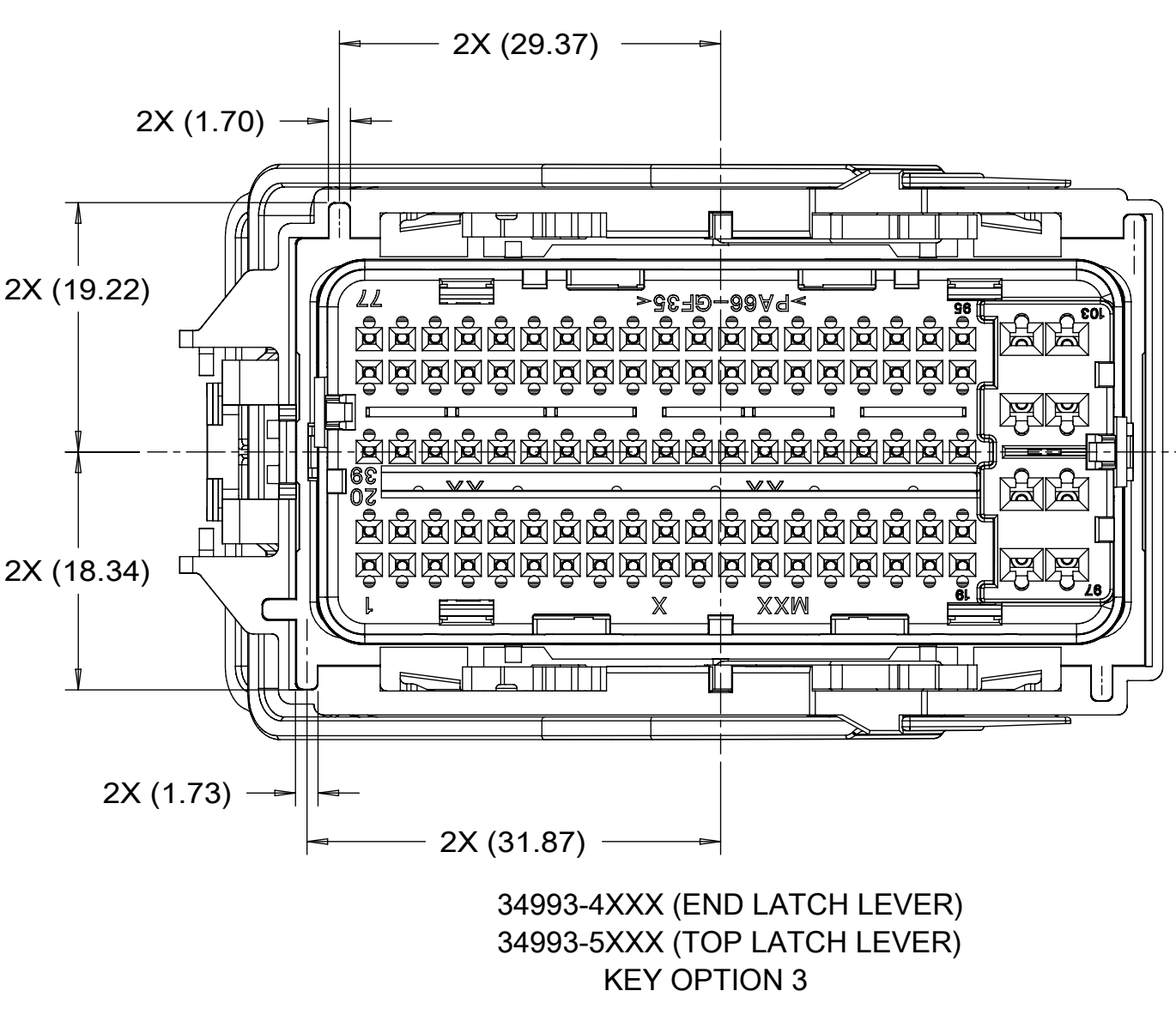
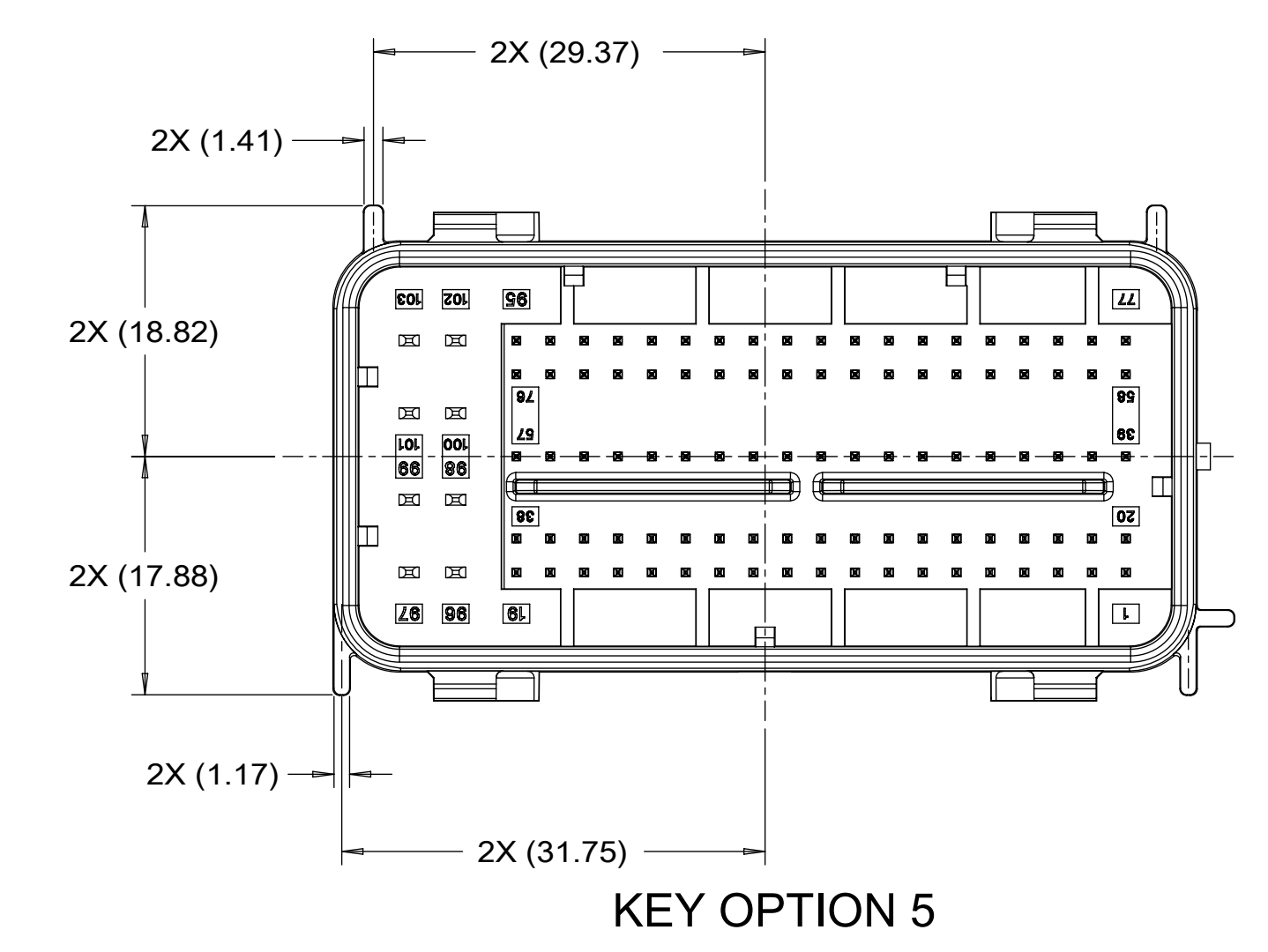
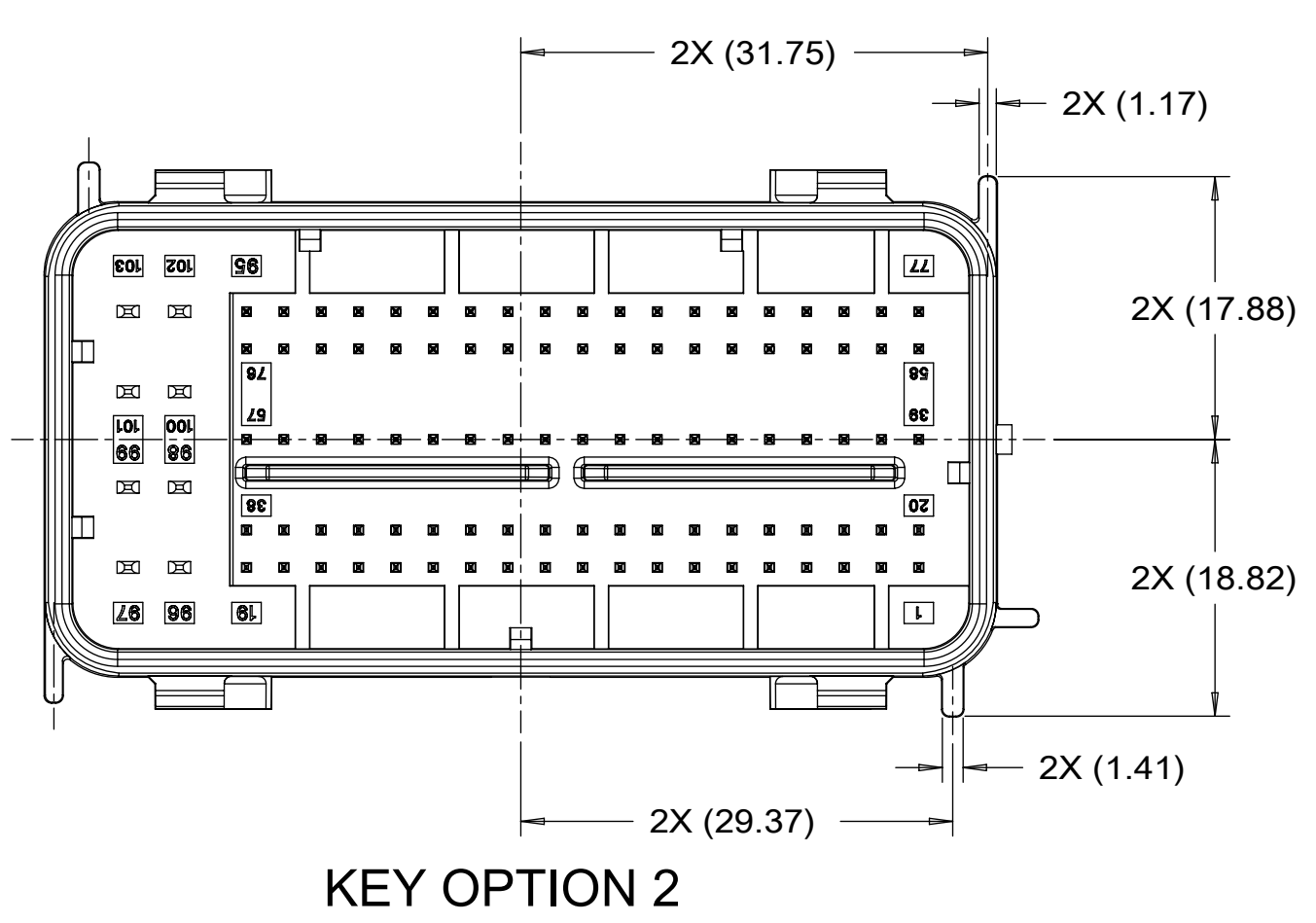
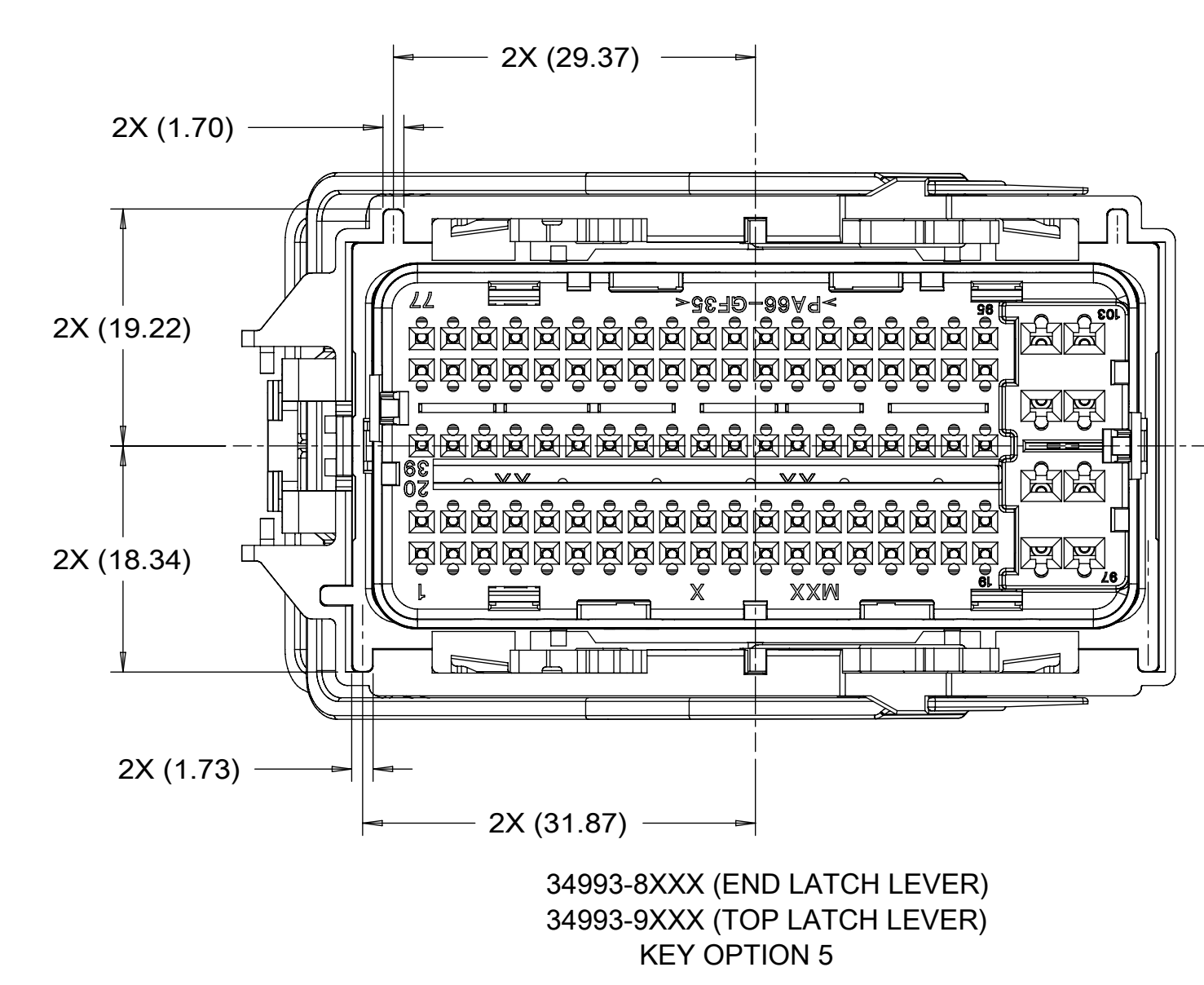
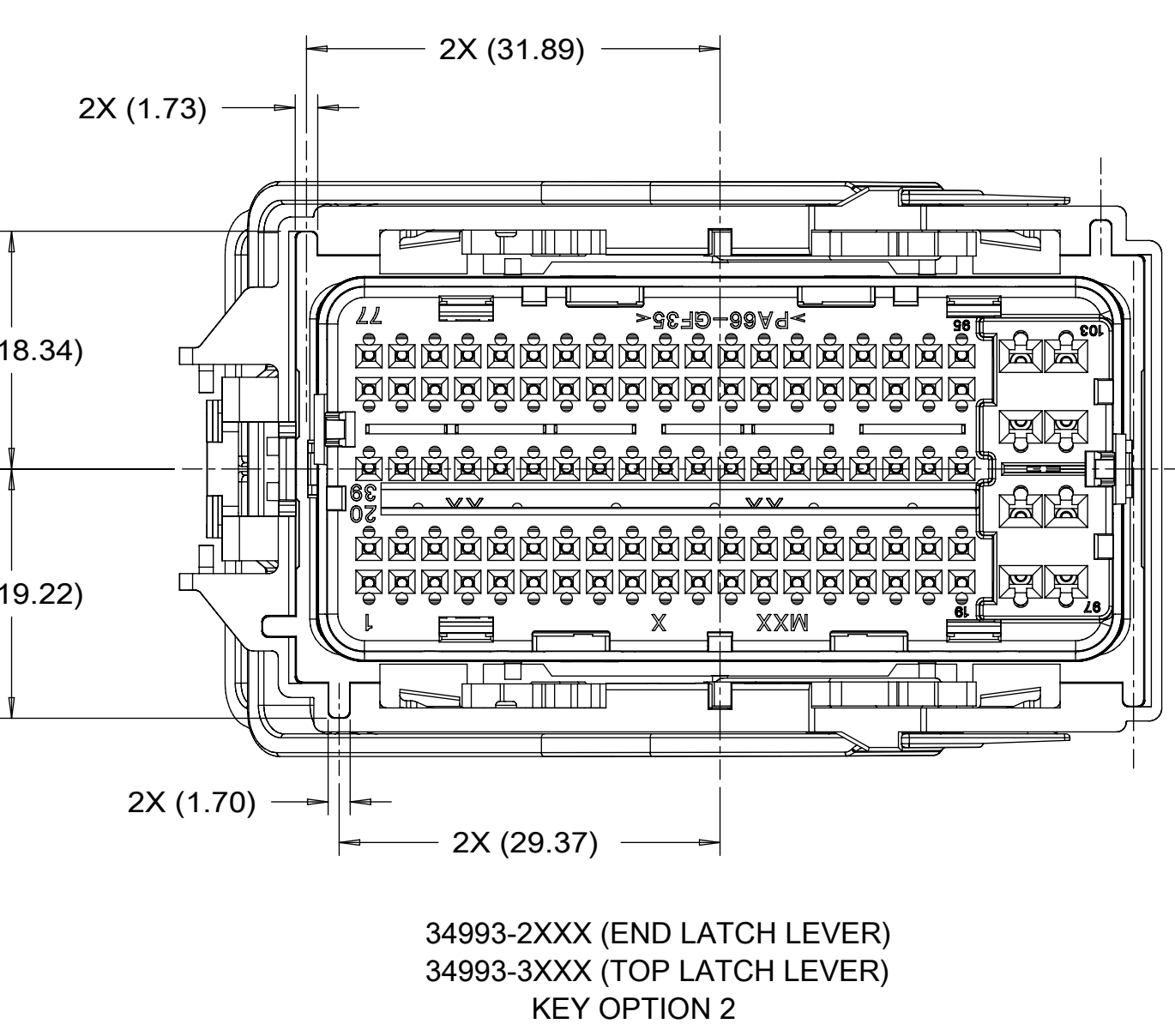
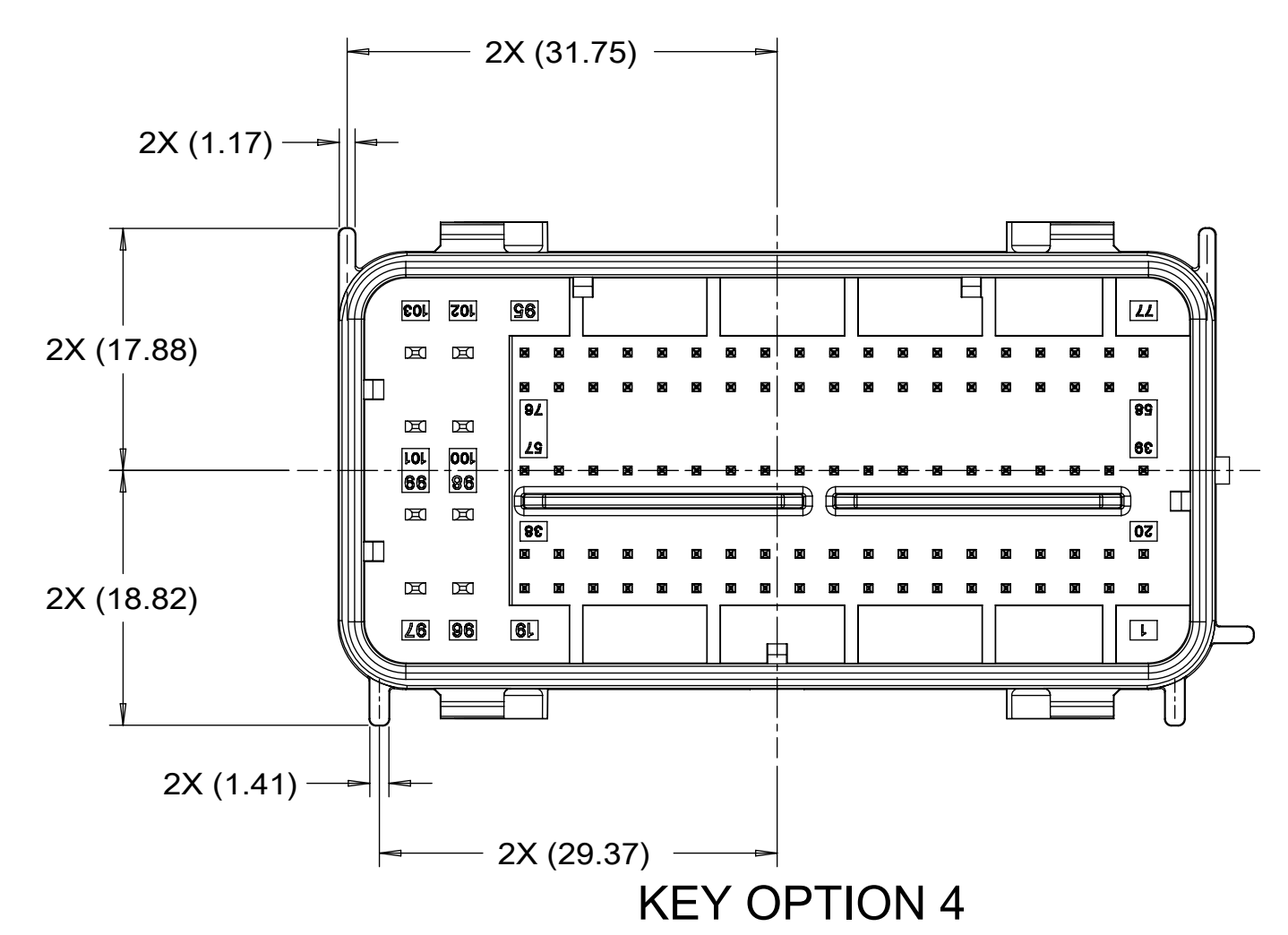
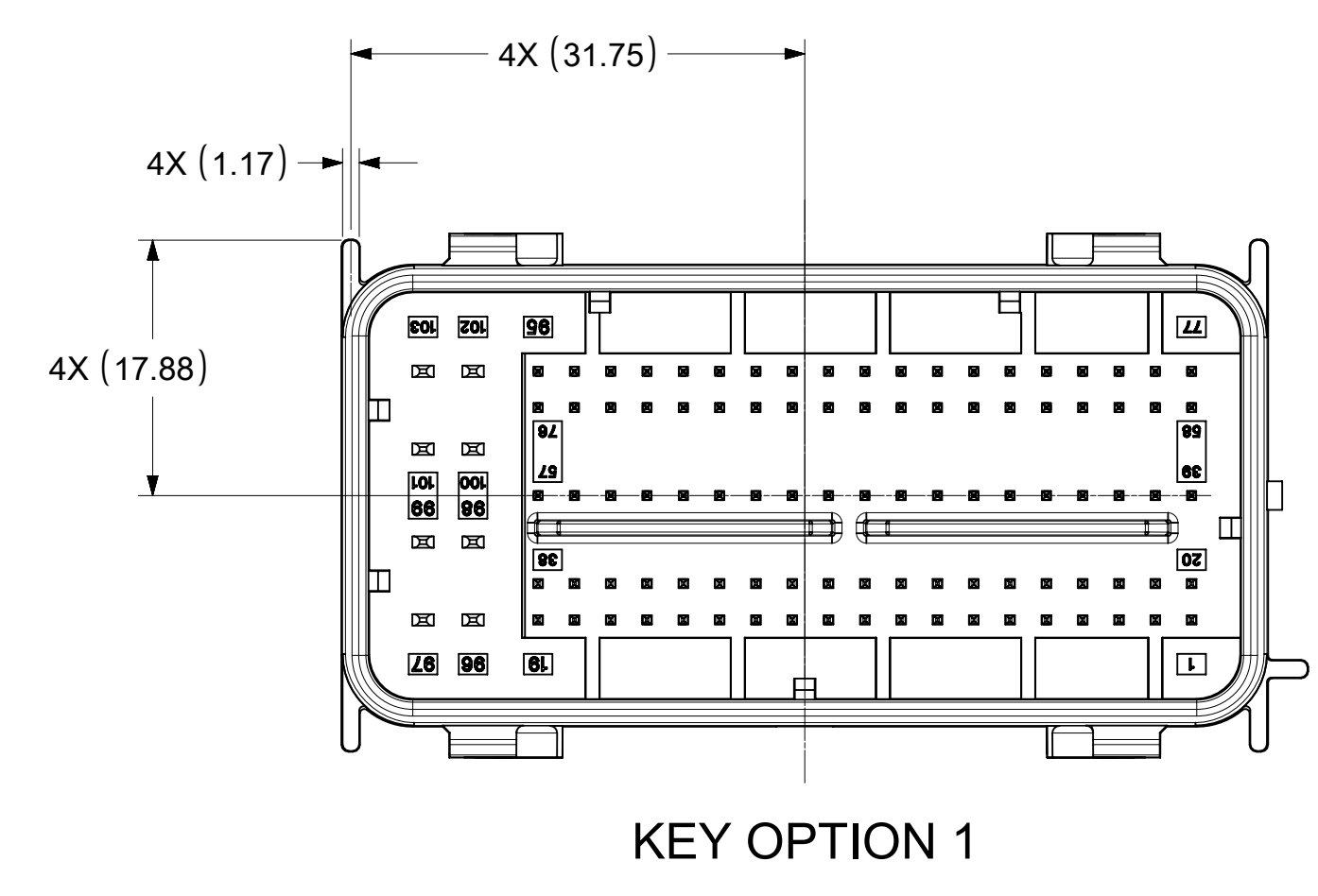
MATERIAL NUMBER: CHARTED  
CUSTOMER: GENERAL MARKET  
SHEET NUMBER: 1 OF 3

**molex**

# KEYWAY DEFINITION

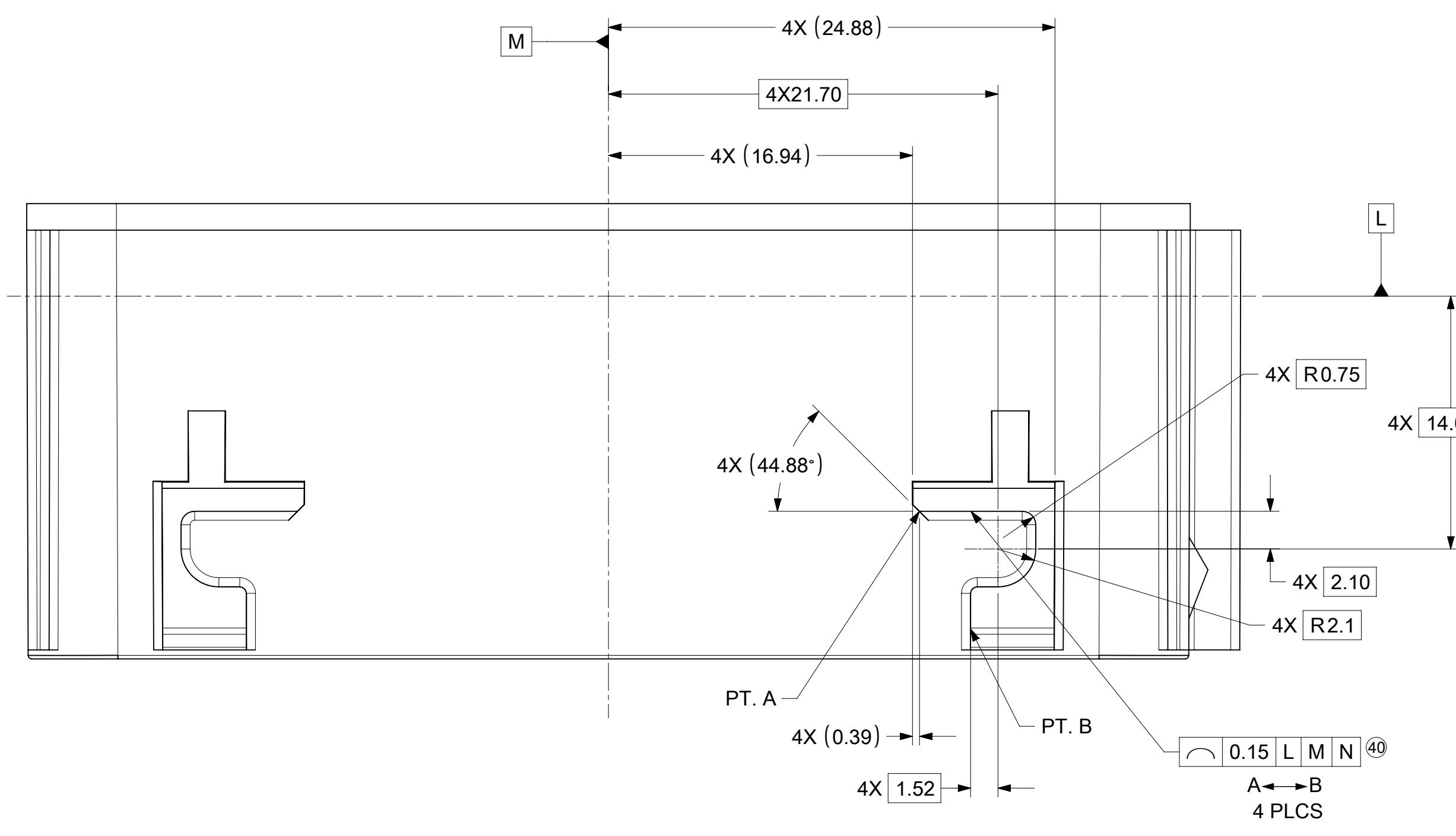
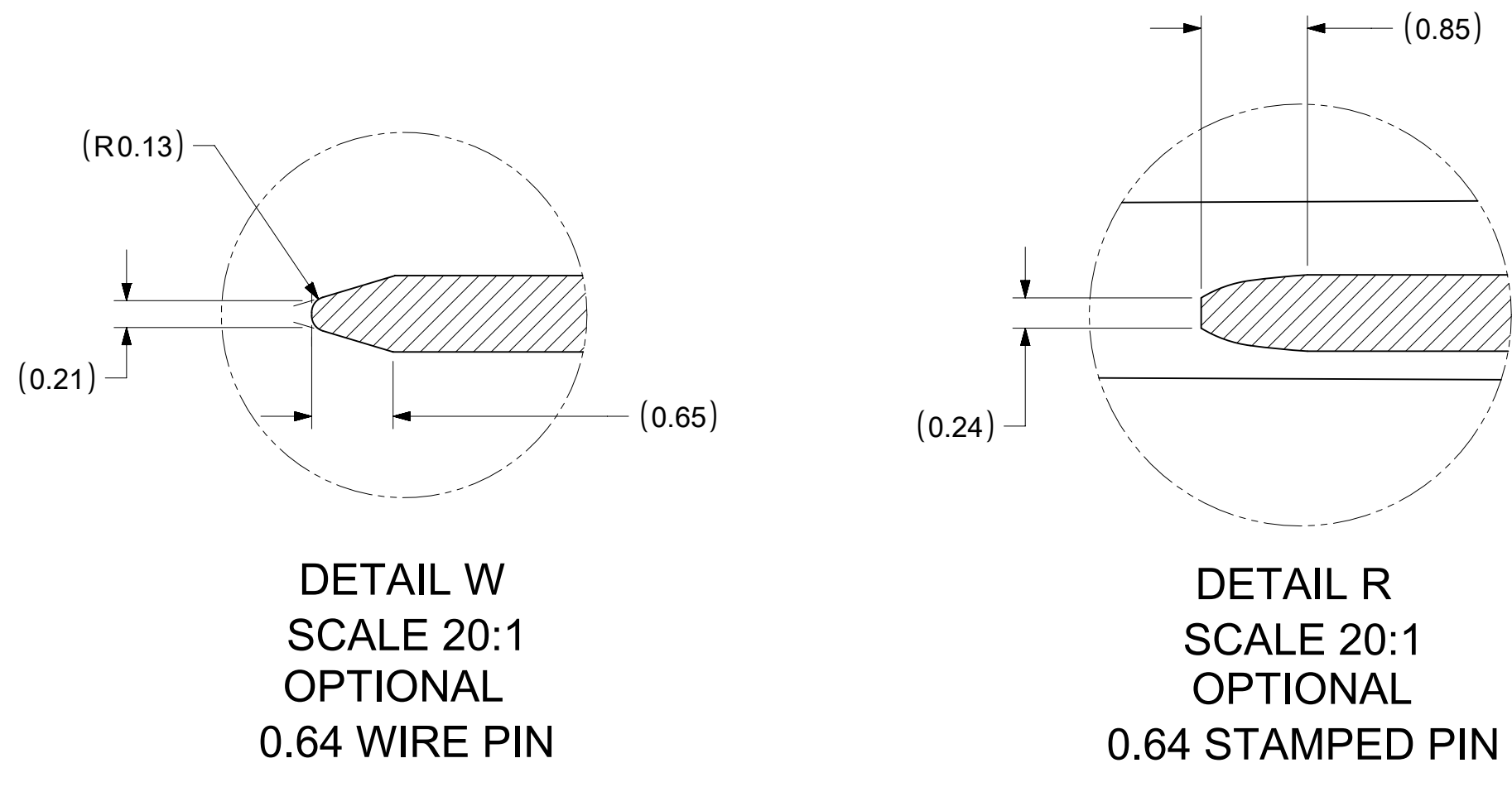


# RECOMMENDED MATING INTERFACE



|   |  |   |  |  |  |          |  |
|---|--|---|--|--|--|----------|--|
| SYMBOLS   |  | THIS DRAWING CONTAINS INFORMATION THAT IS PROPRIETARY TO MOLEX ELECTRONIC TECHNOLOGIES, LLC AND SHOULD NOT BE USED WITHOUT WRITTEN PERMISSION |  | CURRENT REV DESC: NOTE AND TABLE UPDATED                           |  |          |  |
| DIMENSION UNITS: mm<br>SCALE: 2:1<br>GENERAL TOLERANCES (UNLESS SPECIFIED):<br>ANGULAR TOL: ±<br>4 PLACES: ±<br>3 PLACES: ±<br>2 PLACES: ±<br>1 PLACE: ±<br>0 PLACES: ±<br>DRAFT WHERE APPLICABLE MUST REMAIN WITHIN DIMENSIONS |  | EC NO: 677806<br>DRWN: NBOHIDAR<br>CHK'D: BDICK01<br>APPR: BDICK01<br>INITIAL REVISION:<br>DRWN: NBOHIDAR<br>APPR: APROFFITT                  |  | 2021/09/15<br>2021/09/28<br>2021/09/28<br>2018/09/01<br>2018/09/07 |  |          |  |
| DOCUMENT NUMBER   |  | DOC TYPE  |  | DOC PART   |  | REVISION |  |
| 349930001-SD  |  | PSD   |  | 000  |  | A8       |  |
| MATERIAL NUMBER   |  | CUSTOMER  |  | SHEET NUMBER   |  |          |  |
| CHARTED   |  | GENERAL MARKET  |  | 2 OF 3   |  |          |  |

# RECOMMENDED MATING INTERFACE



NOTES FOR INTERFACE: UNLESS OTHERWISE SPECIFIED

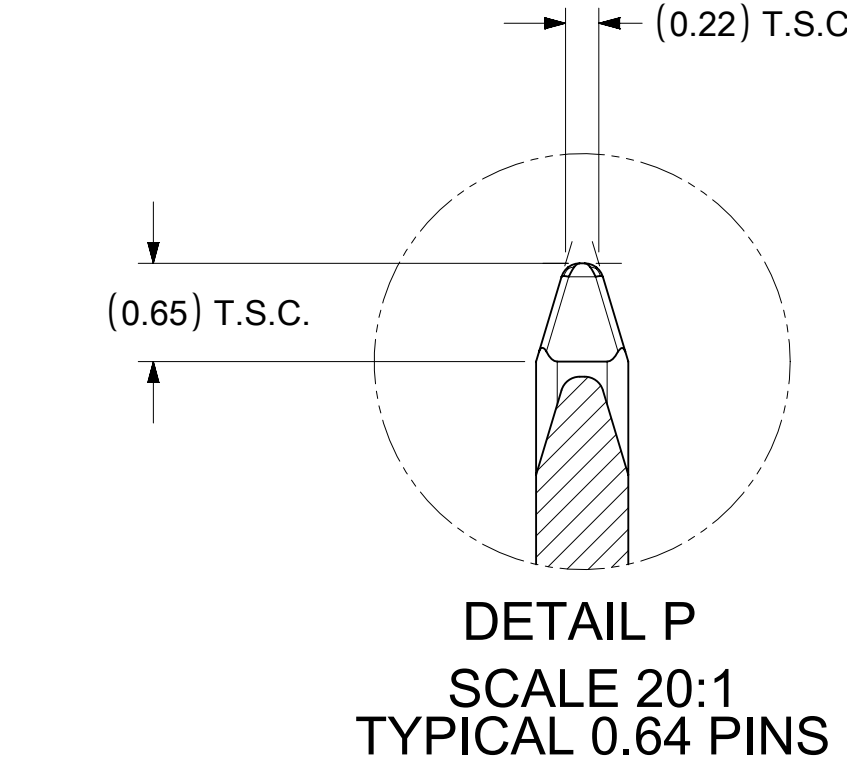
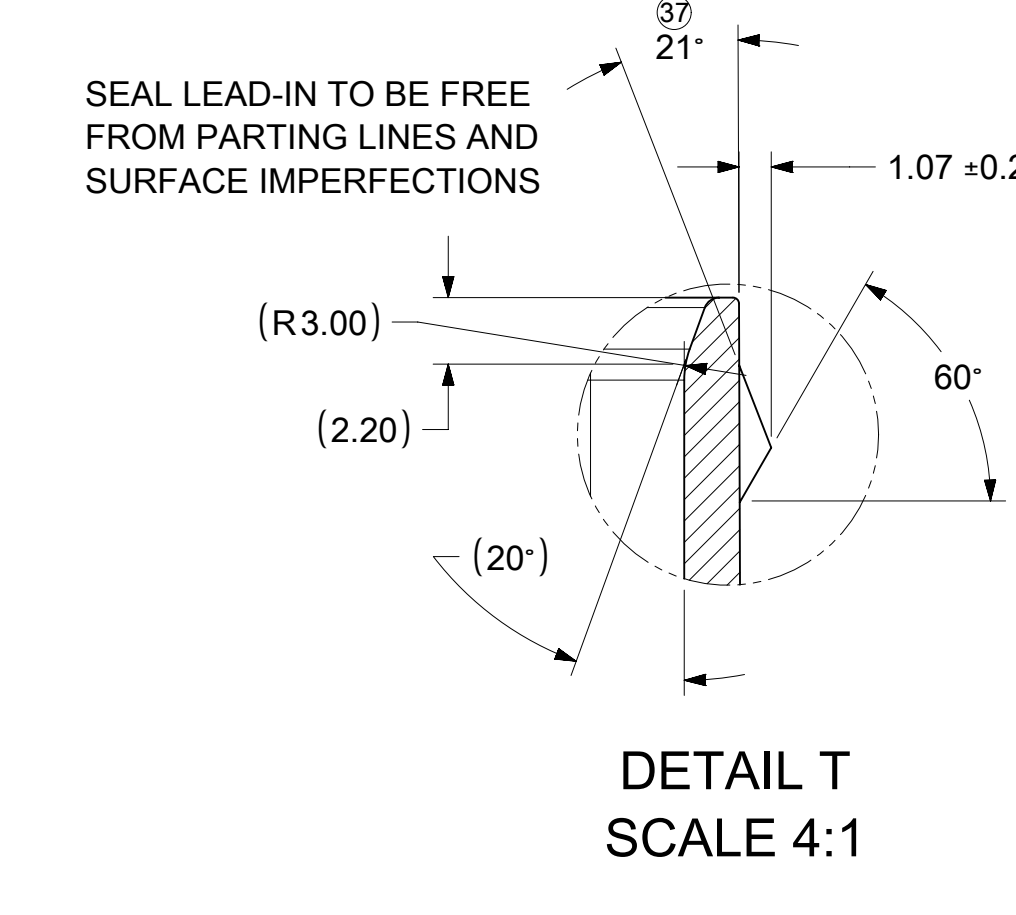
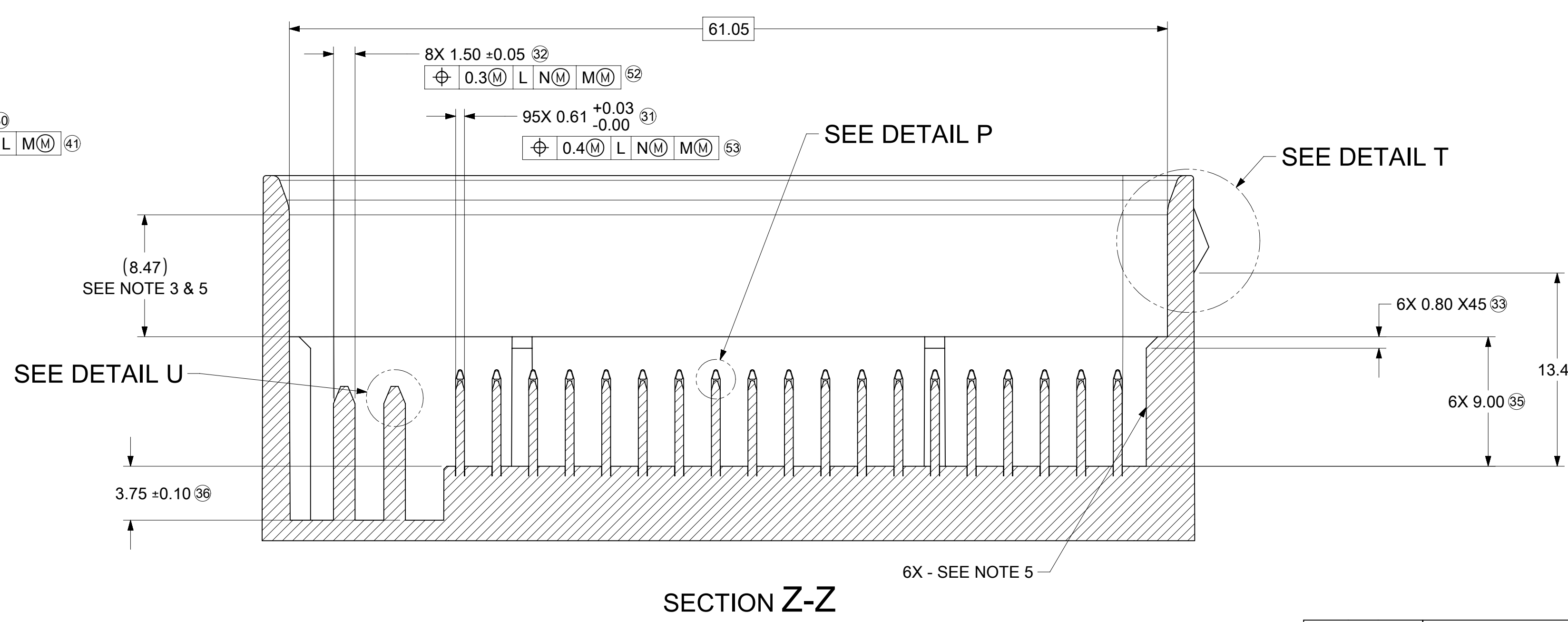
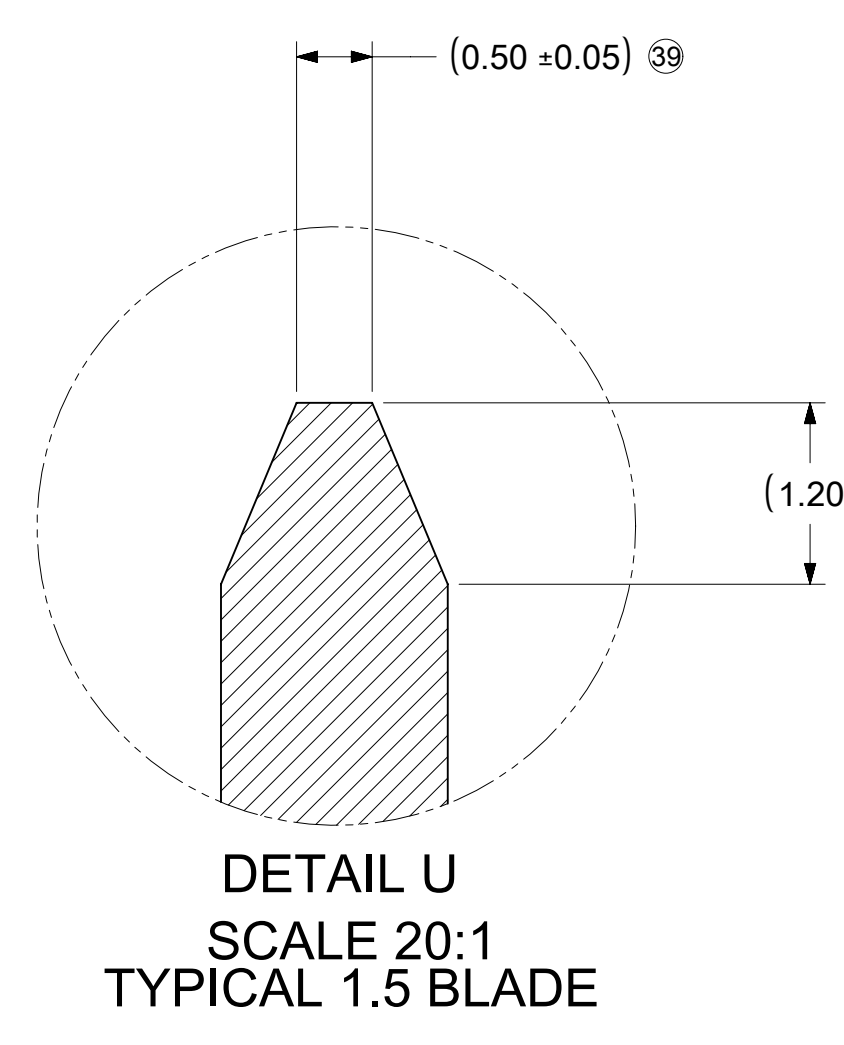
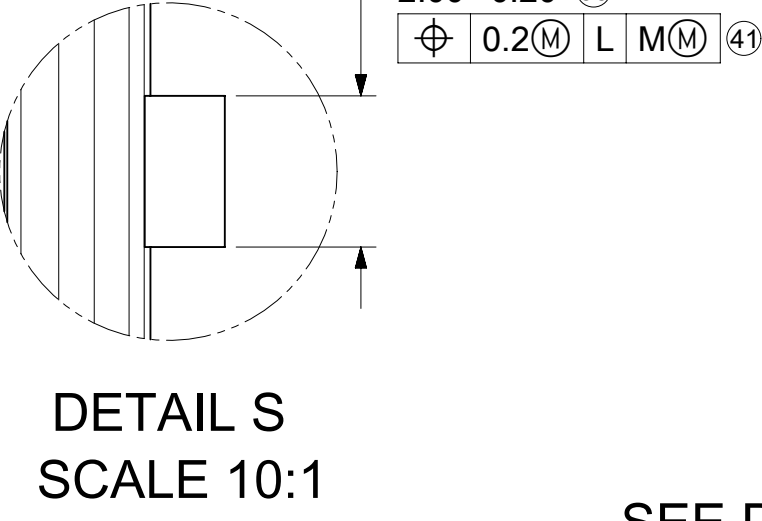
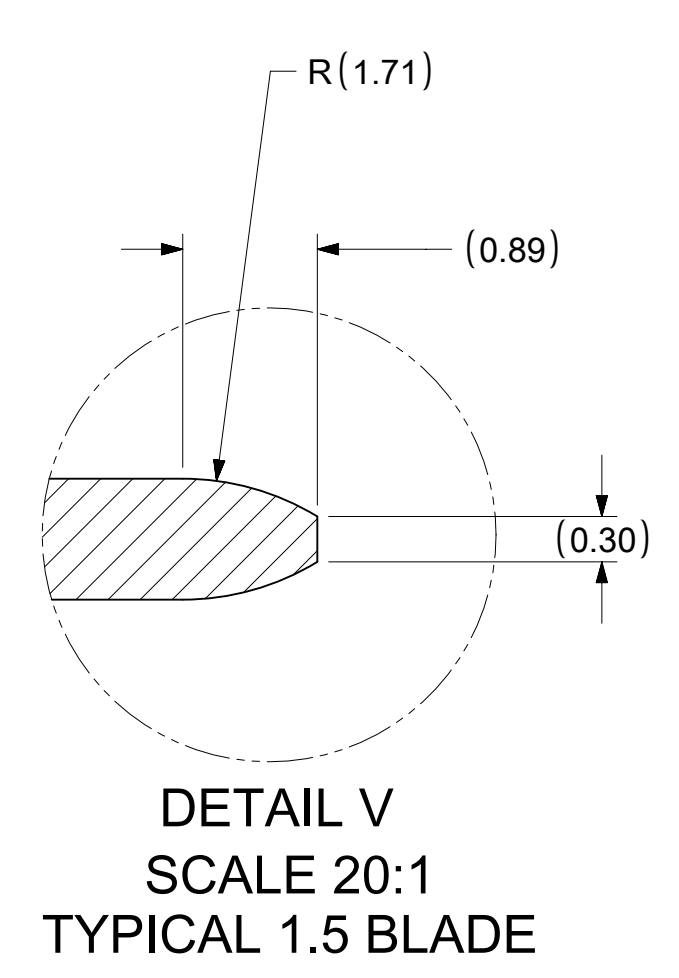
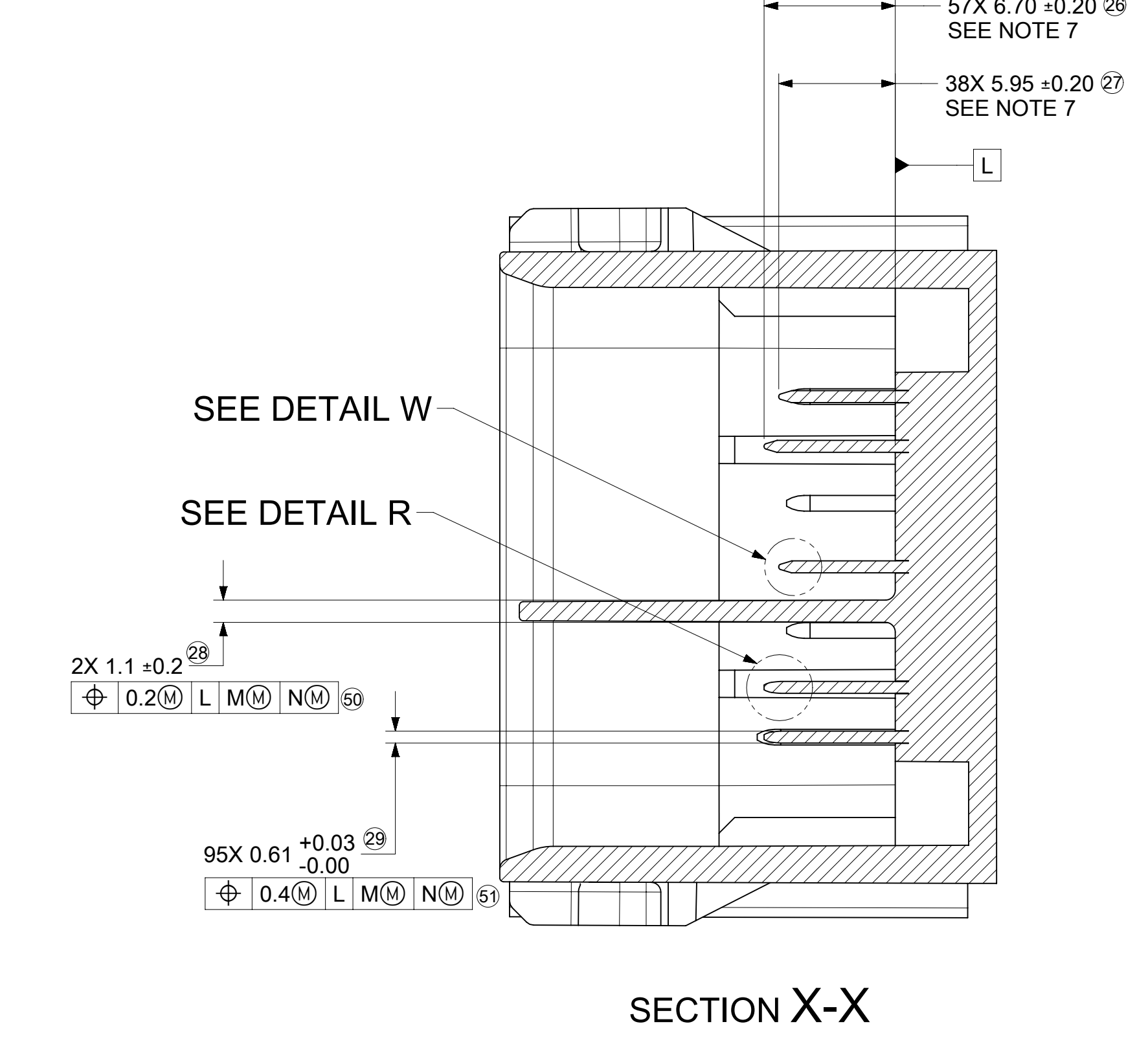
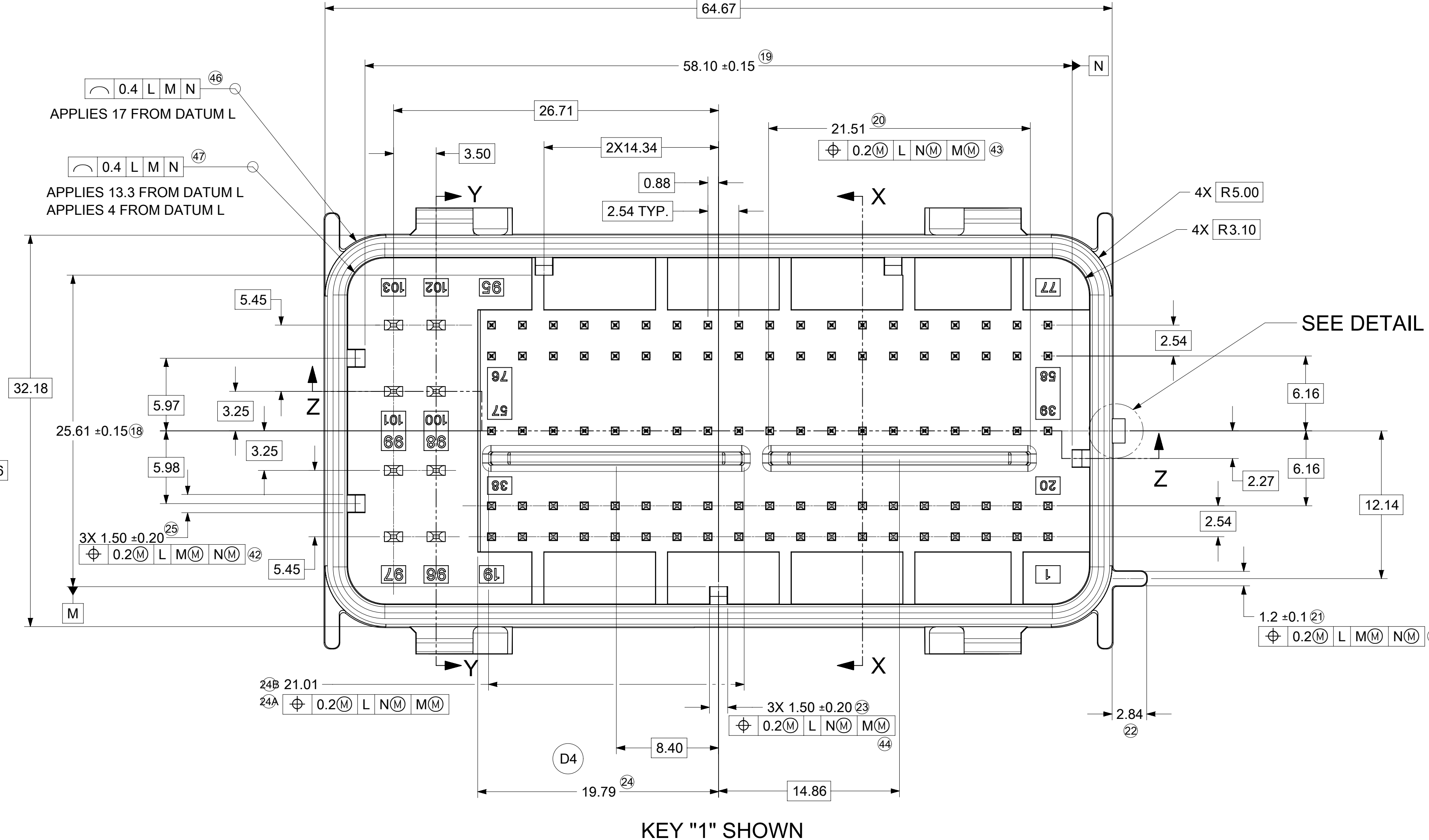
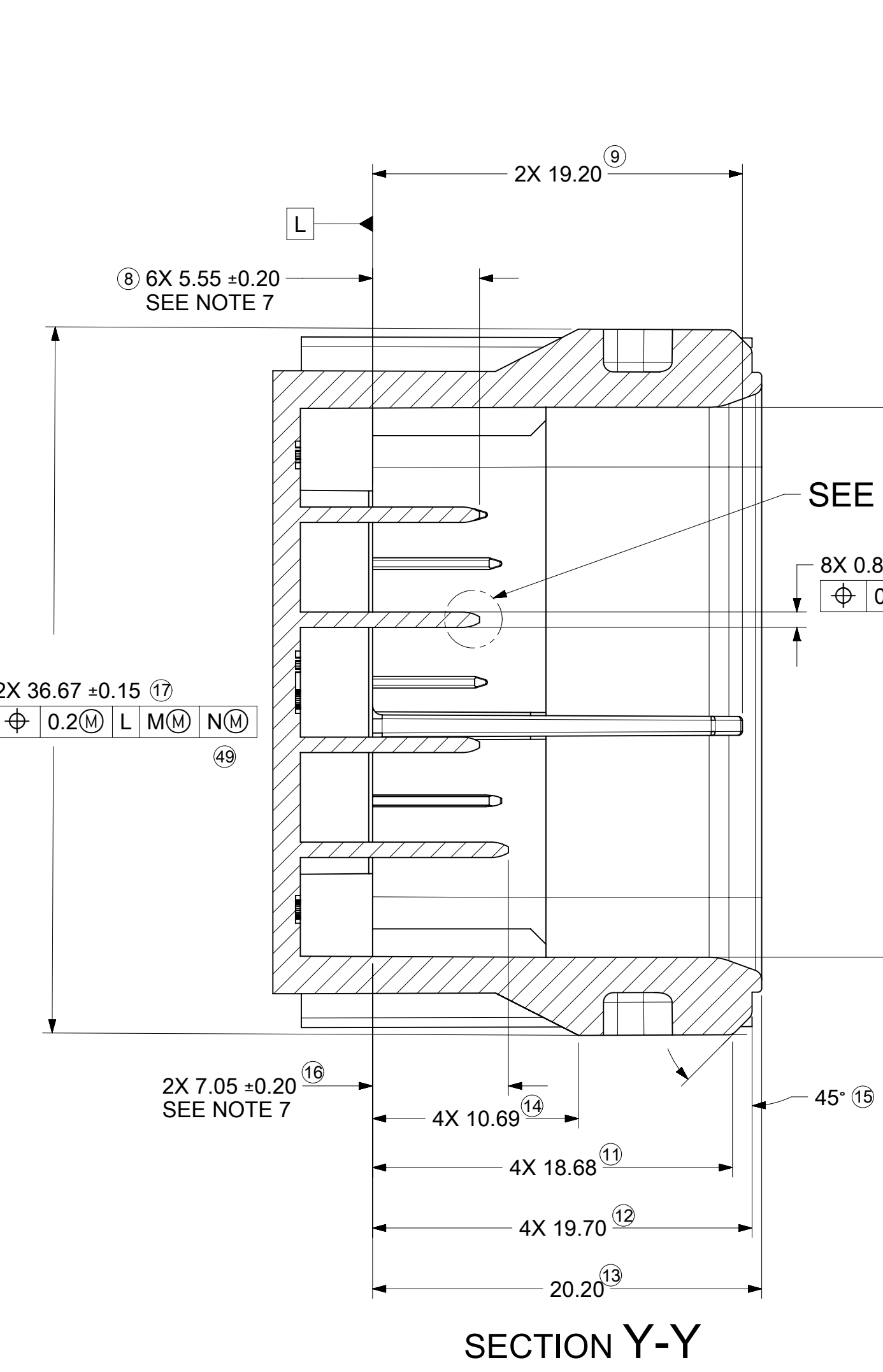
- GENERAL TOLERANCES:  
LINEAR DIMENSIONS: +0.20  
ANGULAR DIMENSIONS: ±3°
- DRAFT ANGLE PERMISSIBLE ONLY WITHIN DRAWING TOLERANCE.
- SEAL SURFACE: NO WITNESS LINES OR DAMAGE PERMITTED.
- ALL UNMARKED RADII TO BE 0.5 MAX. UNLESS OTHERWISE SPECIFIED.
- ZERO DRAFT AREA
- CONNECTION SYSTEM VALIDATED TO USCAR2, REVISION 5
- PIN ROW HEIGHTS ARE INTENTIONALLY OFFSET

POWER CONTACT PIN NOTES: (1.5 CIRCUITS)

- MATERIAL: Cu ALLOY  
WITH TENSILE STRENGTH > 410 N/mm<sup>2</sup>  
ELECTRICAL CONDUCTANCE > 16 Sm/mm<sup>2</sup>  
(>28% IACS AT 20°C)
- BASE PLATING: 1.25-2.25µm Ni OVERALL.
- REFLOW TIN PLATING: 2.5-4.0µm OVERALL.
- CONTACT MUST BE FREE OF BURRS AND SHARP EDGES.
- PROCESS COMPONENTS IN A LOW-SULFUR ENVIRONMENT AND AVOID CONTACT WITH MATERIALS THAT TRANSFER SULFUR TO THE ENVIRONMENT.

SIGNAL CONTACT PIN NOTES: (0.64 CIRCUITS)

- MATERIAL: Cu ALLOY  
WITH TENSILE STRENGTH > 410 N/mm<sup>2</sup>  
ELECTRICAL CONDUCTANCE > 16 Sm/mm<sup>2</sup>  
(>28% IACS AT 20°C)
- BASE PLATING: 1.25-2.5µm Ni OVERALL.
- SILVER PLATING: 2-4µm Ag WITH TARNISH RESISTANT TREATMENT APPLIED TO THE ENTIRE SILVER SURFACE.
- CONTACT MUST BE FREE OF BURRS AND SHARP EDGES.
- FOR SILVER PLATING: ELECTRICAL PERFORMANCE IS NOT AFFECTED BY GREY OR BLACK TARNISH ON THE SILVER PLATING SURFACE. ACCEPTABLE SILVER PIN SURFACES CAN INCLUDE GREY OR BLACK TARNISH.
- PROCESS COMPONENTS IN A LOW-SULFUR ENVIRONMENT AND AVOID CONTACT WITH MATERIALS THAT TRANSFER SULFUR TO THE ENVIRONMENT.



|                 |   |   |           |  |  |
|-----------------|---|---|-----------|--|--|
| SYMBOLS         |   | THIS DRAWING CONTAINS INFORMATION THAT IS PROPRIETARY TO MOLEX ELECTRONIC TECHNOLOGIES, LLC AND SHOULD NOT BE USED WITHOUT WRITTEN PERMISSION |           | CURRENT REV DESC: NOTE AND TABLE UPDATED |  |
| ▽ = 0           | 0 | mm  | SCALE 2:1 | EC NO: 677806                            |  |
| ▽ = 0           | 0 | GENERAL TOLERANCES (UNLESS SPECIFIED)   |           | DRWN: NBOHIDAR 2021/09/15                |  |
| ▽ = 0           | 0 | ANGULAR TOL ±   |           | CHK'D: BDICK01 2021/09/28                |  |
| ▽ = 0           | 0 | 4 PLACES  |           | APPR: BDICK01 2021/09/28                 |  |
| ▽ = 0           | 0 | 3 PLACES  |           | INITIAL REVISION:                        |  |
| ▽ = 0           | 0 | 2 PLACES  |           | DRWN: NBOHIDAR 2018/09/01                |  |
| ▽ = 0           | 0 | 1 PLACE   |           | APPR: APROFFITT 2018/09/07               |  |
| ▽ = 0           | 0 | 0 PLACES  |           | THIRD ANGLE PROJECTION                   |  |
| ▽ = 0           | 0 | DRAFT WHERE APPLICABLE MUST REMAIN WITHIN DIMENSIONS  |           | DRAWING E-SIZE 34993                     |  |
| DOCUMENT STATUS |   | P1  |           | RELEASE DATE 2021/09/28 01:26:06         |  |
| DOCUMENT NUMBER |   | 349930001-SD  |           | DOC TYPE PSD 000                         |  |
| CUSTOMER        |   | GENERAL MARKET  |           | SHEET NUMBER 3 OF 3                      |  |

**molex**

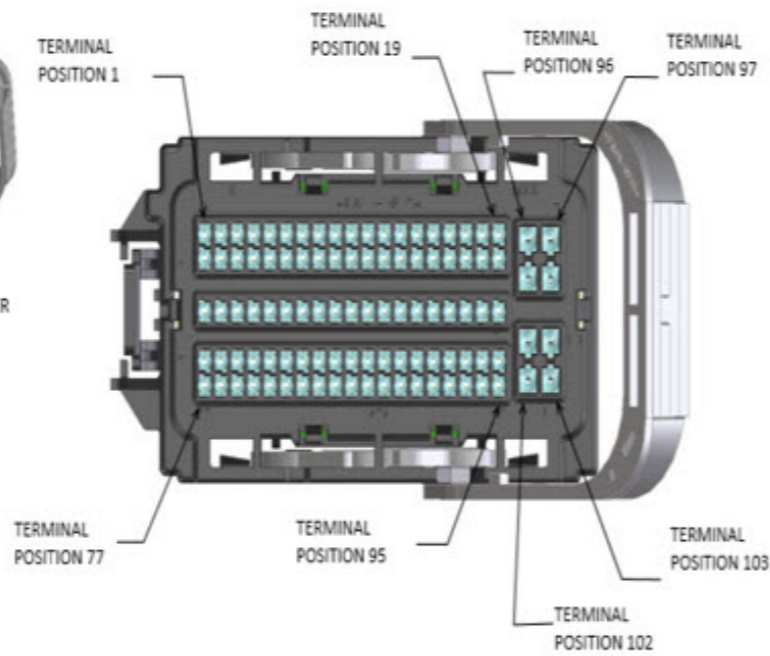
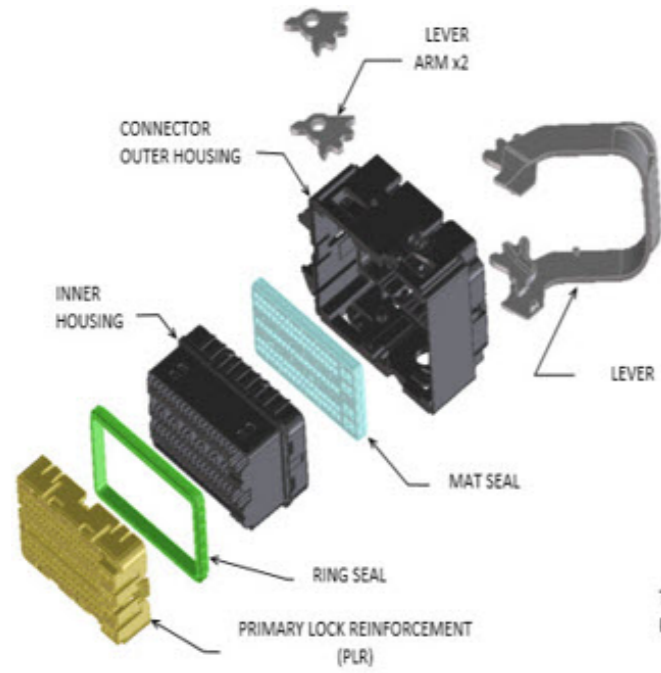
GPEC IV CONNECTOR ASSEMBLY  
103 CIRCUIT

PRODUCT CUSTOMER DRAWING

DOCUMENT NUMBER 349930001-SD DOC TYPE PSD 000 REVISION A8

MATERIAL NUMBER CHARTED CUSTOMER GENERAL MARKET SHEET NUMBER 3 OF 3

**BOM AND PIN OUT SHEET**



| ABBREVIATION | DESCRIPTION                     | COLOR      | MATERIAL                       |
|--------------|---------------------------------|------------|--------------------------------|
| 1-BLACK      | OUTER HOUSING KEYING OPTION 1   | BLACK      | PA66 GF35                      |
| 2-BLACK      | OUTER HOUSING KEYING OPTION 2   | BLACK      | PA66 GF35                      |
| 3-BLACK      | OUTER HOUSING KEYING OPTION 3   | BLACK      | PA66 GF35                      |
| 4-BLACK      | OUTER HOUSING KEYING OPTION 4   | BLACK      | PA66 GF35                      |
| 5-BLACK      | OUTER HOUSING KEYING OPTION 5   | BLACK      | PA66 GF35                      |
| NIL - GRAY   | OUTER HOUSING KEYING OPTION NIL | GRAY       | PA66 GF35                      |
| IH           | INNER HOUSING                   | BLACK      | PA66 GF35                      |
| PLR          | TPA/PLR                         | NATURAL    | PA66 GF35                      |
| LE           | LEVER - END LATCH               | GRAY       | PA66 GF35                      |
| LT           | LEVER - TOP LATCH               | GRAY       | PA66 GF35                      |
| LA           | LEVER ARM                       | GRAY       | PA66 GF35                      |
| M            | MAT SEAL                        | LIGHT BLUE | INHERENTLY LUBRICATED SILICONE |
| R            | RING SEAL                       | GREEN      | INHERENTLY LUBRICATED SILICONE |

FOR ADDITIONAL INFORMATION SEE 349930001-SD

LOOK AT 203200001-SD FOR WIRE DRESS COVER OPTION

| ASSEMBLY DESCRIPTION                     | ASSEMBLY PART NUMBER | COMPONENT   |               |     |       |                 |          |           | BLOCKED TERMINALS  |   |   |   |   |   |   |   |   |    |    |    |    |    |    |    |    |    |    |    | STATUS | COMMENTS |
|--|----------------------|---|---------------|-----|-------|-----------------|----------|-----------|--|---|---|---|---|---|---|---|---|----|----|----|----|----|----|----|----|----|----|----|--------|----------|
|  |                      | THE PRESENCE OF AN ABBREVIATION INDICATES THE PRESENCE OF THAT COMPONENT. |               |     |       |                 |          |           | CAVITY WITH A NUMBER INDICATES BLOCKED TERMINAL POSITION<br>CAVITY WITHOUT A NUMBER INDICATES OPEN TERMINAL POSITION |   |   |   |   |   |   |   |   |    |    |    |    |    |    |    |    |    |    |    |        |          |
|  |                      | OUTER HOUSING KEY/COLOR   | INNER HOUSING | PLR | LEVER | LEVER ARM (x/2) | MAT SEAL | RING SEAL | 1  | 2 | 3 | 4 | 5 | 6 | 7 | 8 | 9 | 10 | 11 | 12 | 13 | 14 | 15 | 16 | 17 | 18 | 19 | 96 |        |          |
| GPEC RCPT CONN 103 CKT END LVR KEY 1/103 | 349930001            | 1-BLACK   | IH            | PLR | LE    | LA              | M        | R         | -  | - | - | - | - | - | - | - | - | -  | -  | -  | -  | -  | -  | -  | -  | -  | -  | -  |        |          |
| GPEC RCPT CONN 103 CKT END LVR KEY 1/0   | 349930002            | 1-BLACK   | IH            | PLR | LE    | LA              | M        | R         | 1  | 2 | 3 | 4 | 5 | 6 | 7 | 8 | 9 | 10 | 11 | 12 | 13 | 14 | 15 | 16 | 17 | 18 | 19 | 96 | 97     |          |
| GPEC RCPT CONN 103 CKT END LVR KEY 1/84  | 349930003            | 1-BLACK   | IH            | PLR | LE    | LA              | M        | R         | -  | - | - | - | - | - | - | - | - | -  | -  | -  | -  | -  | -  | -  | -  | -  | -  | -  | -      |          |
| GPEC RCPT CONN 103 CKT END LVR KEY 1/59  | 349930004            | 1-BLACK   | IH            | PLR | LE    | LA              | M        | R         | -  | - | - | - | - | 6 | 7 | 8 | 9 | 10 | 11 | 12 | -  | -  | -  | -  | -  | -  | -  | 98 | -      |          |
| GPEC RCPT CONN 103 CKT END LVR KEY 1/58  | 349930005            | 1-BLACK   | IH            | PLR | LE    | LA              | M        | R         | -  | - | - | - | - | 6 | 7 | 8 | 9 | 10 | 11 | 12 | -  | -  | -  | -  | -  | -  | -  | 96 | -      |          |
| GPEC RCPT CONN 103 CKT END LVR KEY 1/48  | 349930006            | 1-BLACK   | IH            | PLR | LE    | LA              | M        | R         | 1  | 2 | - | - | 5 | - | 7 | 8 | 9 | -  | 11 | -  | 13 | -  | 15 | -  | 17 | 18 | -  | -  | -      |          |









**GPEC IV 103 WAY RECEPTACLE SEALED ASSEMBLY MAT SEAL  
BOM AND PIN OUT SHEET**

| ASSEMBLY DESCRIPTION                    | ASSEMBLY PART NUMBER | COMPONENT   |               |     |       |                 |          |           | BLOCKED TERMINALS  |   |    |    |    |    |    |    |    |    |    |    |    |    |    |    |    |    |    |          |    |          |          | STATUS | COMMENTS |
|---|----------------------|---|---------------|-----|-------|-----------------|----------|-----------|--|---|----|----|----|----|----|----|----|----|----|----|----|----|----|----|----|----|----|----------|----|----------|----------|--------|----------|
|   |                      | THE PRESENCE OF AN ABBREVIATION INDICATES THE PRESENCE OF THAT COMPONENT. |               |     |       |                 |          |           | CAVITY WITH A NUMBER INDICATES BLOCKED TERMINAL POSITION<br>CAVITY WITHOUT A NUMBER INDICATES OPEN TERMINAL POSITION |   |    |    |    |    |    |    |    |    |    |    |    |    |    |    |    |    |    |          |    |          |          |        |          |
|   |                      | OUTER HOUSING KEY/COLOR   | INNER HOUSING | PLR | LEVER | LEVER ARM (x/2) | MAT SEAL | RING SEAL | 1  | 2 | -  | -  | 5  | -  | 7  | 8  | 9  | -  | 11 | -  | 13 | -  | 15 | -  | 17 | 18 | -  | 96       | -  |          |          |        |          |
| GPEC RCPT CONN 103 CKT TOP LVR KEY 1/41 | 349931021            | 1-BLACK   | IH            | PLR | LT    | LA              | M        | R         | -  | - | 24 | 25 | 26 | -  | 28 | 29 | -  | -  | -  | 33 | 34 | 35 | 36 | 37 | 38 | -  | -  | SALEABLE |    |          |          |        |          |
| GPEC RCPT CONN 103 CKT TOP LVR KEY 1/47 | 349931022            | 1-BLACK   | IH            | PLR | LT    | LA              | M        | R         | 1  | 2 | -  | -  | -  | -  | 7  | 8  | 9  | -  | -  | -  | 13 | -  | 15 | -  | 17 | 18 | -  | 96       | -  | SALEABLE |          |        |          |
| GPEC RCPT CONN 103 CKT TOP LVR KEY 1/44 | 349931023            | 1-BLACK   | IH            | PLR | LT    | LA              | M        | R         | -  | - | 40 | -  | -  | 43 | 44 | 45 | 46 | 47 | -  | -  | -  | 51 | 52 | 53 | 54 | -  | 56 | 57       | -  | -        | SALEABLE |        |          |
| GPEC RCPT CONN 103 CKT TOP LVR KEY 1/47 | 349931024            | 1-BLACK   | IH            | PLR | LT    | LA              | M        | R         | 1  | 2 | -  | -  | -  | 6  | 7  | 8  | 9  | 10 | -  | -  | 13 | -  | 15 | -  | 17 | 18 | -  | 96       | -  | SALEABLE |          |        |          |
| GPEC RCPT CONN 103 CKT TOP LVR KEY 1/50 | 349931025            | 1-BLACK   | IH            | PLR | LT    | LA              | M        | R         | -  | - | 40 | -  | -  | 44 | 45 | 46 | 47 | -  | -  | -  | 51 | 52 | 53 | -  | -  | 56 | 57 | -        | -  | SALEABLE |          |        |          |
| GPEC RCPT CONN 103 CKT TOP LVR KEY 1/49 | 349931026            | 1-BLACK   | IH            | PLR | LT    | LA              | M        | R         | 1  | - | -  | -  | -  | 6  | 7  | 8  | 9  | 10 | -  | -  | 13 | -  | -  | -  | 17 | -  | -  | 96       | -  | SALEABLE |          |        |          |
| GPEC RCPT CONN 103 CKT TOP LVR KEY 1/37 | 349931027            | 1-BLACK   | IH            | PLR | LT    | LA              | M        | R         | -  | - | 21 | 22 | -  | 24 | 25 | 26 | -  | 28 | 29 | -  | -  | 32 | 33 | 34 | 35 | 36 | 37 | -        | -  | -        | SALEABLE |        |          |
| GPEC RCPT CONN 103 CKT TOP LVR KEY 1/55 | 349931028            | 1-BLACK   | IH            | PLR | LT    | LA              | M        | R         | 1  | - | -  | -  | 5  | -  | -  | 8  | -  | -  | -  | -  | -  | -  | -  | -  | -  | 17 | 18 | -        | 96 | -        | SALEABLE |        |          |
| GPEC RCPT CONN 103 CKT TOP LVR KEY 1/49 | 349931029            | 1-BLACK   | IH            | PLR | LT    | LA              | M        | R         | -  | - | 40 | -  | -  | 43 | 44 | -  | 46 | 47 | -  | -  | -  | 51 | 52 | 53 | -  | 55 | -  | 57       | -  | -        | SALEABLE |        |          |
| GPEC RCPT CONN 103 CKT TOP LVR KEY 1/51 | 349931030            | 1-BLACK   | IH            | PLR | LT    | LA              | M        | R         | 1  | 2 | -  | -  | 5  | -  | -  | 8  | -  | -  | -  | -  | -  | -  | 15 | -  | 17 | 18 | -  | 96       | -  | SALEABLE |          |        |          |

**BOM AND PIN OUT SHEET**

| ASSEMBLY DESCRIPTION                    | ASSEMBLY PART NUMBER | COMPONENT   |               |     |       |                 |          |           | BLOCKED TERMINALS  |    |    |    |    |    |    |    |    |    |    |    |    |    |    |    |    |    |    |    | STATUS | COMMENTS |   |   |   |   |   |   |
|---|----------------------|---|---------------|-----|-------|-----------------|----------|-----------|--|----|----|----|----|----|----|----|----|----|----|----|----|----|----|----|----|----|----|----|--------|----------|---|---|---|---|---|---|
|   |                      | THE PRESENCE OF AN ABBREVIATION INDICATES THE PRESENCE OF THAT COMPONENT. |               |     |       |                 |          |           | CAVITY WITH A NUMBER INDICATES BLOCKED TERMINAL POSITION<br>CAVITY WITHOUT A NUMBER INDICATES OPEN TERMINAL POSITION |    |    |    |    |    |    |    |    |    |    |    |    |    |    |    |    |    |    |    |        |          |   |   |   |   |   |   |
|   |                      | OUTER HOUSING KEY/COLOR   | INNER HOUSING | PLR | LEVER | LEVER ARM (x/2) | MAT SEAL | RING SEAL | 1  | 2  | -  | -  | 5  | -  | -  | 8  | -  | -  | -  | -  | -  | 15 | -  | 17 | 18 | -  | 96 | -  |        |          |   |   |   |   |   |   |
| GPEC RCPT CONN 103 CKT TOP LVR KEY 1/55 | 349931031            | 1-BLACK   | IH            | PLR | LT    | LA              | M        | R         | -  | 21 | 22 | -  | 24 | -  | 26 | -  | 28 | 29 | -  | -  | 32 | -  | 34 | -  | -  | -  | 38 | -  | -      |          |   |   |   |   |   |   |
|   |                      |   |               |     |       |                 |          |           | -  | 40 | -  | -  | 43 | -  | -  | -  | 47 | -  | -  | -  | -  | 53 | -  | -  | -  | 57 | -  | -  | -      | -        | - | - | - | - |   |   |
|   |                      |   |               |     |       |                 |          |           | 58   | 59 | -  | -  | 62 | -  | 64 | -  | 66 | 67 | 68 | 69 | 70 | 71 | 72 | -  | 74 | 75 | -  | -  | -      | -        | - | - | - | - | - |   |
|   |                      |   |               |     |       |                 |          |           | -  | 78 | 79 | 80 | 81 | -  | -  | -  | 84 | 85 | 86 | 87 | 88 | -  | 90 | 91 | -  | -  | -  | -  | -      | -        | - | - | - | - | - | - |
|   |                      |   |               |     |       |                 |          |           | -  | -  | -  | -  | -  | 6  | 7  | 8  | 9  | 10 | 11 | 12 | -  | -  | -  | -  | -  | -  | -  | -  | -      | -        | - | - | - | - | - | - |
| GPEC RCPT CONN 103 CKT TOP LVR KEY 1/59 | 349931032            | 1-BLACK   | IH            | PLR | LT    | LA              | M        | R         | -  | 21 | 22 | -  | 24 | -  | 26 | -  | -  | 29 | -  | -  | 32 | -  | 34 | -  | -  | -  | 38 | -  | -      |          |   |   |   |   |   |   |
|   |                      |   |               |     |       |                 |          |           | -  | 40 | -  | -  | 43 | -  | -  | -  | 47 | -  | -  | -  | -  | 53 | -  | -  | -  | 57 | -  | -  | -      | -        | - | - | - | - |   |   |
|   |                      |   |               |     |       |                 |          |           | 58   | 59 | -  | -  | 62 | -  | 64 | -  | 66 | 67 | 68 | 69 | 70 | 71 | 72 | -  | 74 | 75 | -  | -  | -      | -        | - | - | - | - | - |   |
|   |                      |   |               |     |       |                 |          |           | -  | 78 | 79 | 80 | 81 | -  | -  | -  | 85 | 86 | 87 | 88 | -  | 90 | 91 | -  | -  | -  | -  | -  | -      | -        | - | - | - | - | - | - |
|   |                      |   |               |     |       |                 |          |           | -  | -  | -  | -  | -  | 6  | 7  | 8  | 9  | 10 | 11 | 12 | -  | -  | -  | -  | -  | -  | -  | -  | -      | -        | - | - | - | - | - | - |
| GPEC RCPT CONN 103 CKT TOP LVR KEY 1/53 | 349931033            | 1-BLACK   | IH            | PLR | LT    | LA              | M        | R         | -  | 21 | 22 | -  | 24 | 25 | 26 | -  | -  | 29 | -  | -  | 32 | 33 | 34 | -  | -  | -  | 38 | -  | -      |          |   |   |   |   |   |   |
|   |                      |   |               |     |       |                 |          |           | -  | 40 | -  | -  | 43 | 44 | -  | 46 | 47 | -  | -  | -  | 51 | 52 | 53 | -  | -  | -  | 57 | -  | -      | -        | - | - | - | - |   |   |
|   |                      |   |               |     |       |                 |          |           | 58   | 59 | -  | 61 | 62 | -  | 64 | -  | 66 | 67 | 68 | 69 | 70 | 71 | -  | -  | 74 | -  | -  | -  | -      | -        | - | - | - | - | - |   |
|   |                      |   |               |     |       |                 |          |           | -  | 78 | 79 | 80 | 81 | -  | -  | -  | 85 | 86 | 87 | 88 | -  | 90 | -  | -  | -  | -  | -  | -  | -      | -        | - | - | - | - | - | - |
|   |                      |   |               |     |       |                 |          |           | -  | -  | -  | -  | -  | 6  | 7  | 8  | 9  | 10 | 11 | 12 | -  | -  | -  | -  | -  | -  | -  | -  | -      | -        | - | - | - | - | - | - |
| GPEC RCPT CONN 103 CKT TOP LVR KEY 1/57 | 349931034            | 1-BLACK   | IH            | PLR | LT    | LA              | M        | R         | -  | 21 | 22 | -  | -  | -  | 27 | -  | 29 | -  | -  | -  | -  | -  | -  | -  | -  | -  | -  | -  | -      | -        | - |   |   |   |   |   |
|   |                      |   |               |     |       |                 |          |           | -  | -  | 41 | 42 | 43 | 44 | 45 | 46 | 47 | 48 | 49 | 50 | 51 | 52 | -  | -  | -  | -  | 57 | -  | -      | -        | - | - | - | - | - |   |
|   |                      |   |               |     |       |                 |          |           | -  | 59 | -  | -  | -  | -  | 64 | 65 | -  | 67 | 68 | 69 | -  | -  | 72 | 73 | 74 | 75 | 76 | -  | -      | -        | - | - | - | - | - | - |
|   |                      |   |               |     |       |                 |          |           | -  | 78 | -  | 80 | -  | -  | -  | 84 | 85 | -  | -  | -  | -  | -  | -  | -  | -  | 93 | 94 | 95 | -      | -        | - | - | - | - | - | - |
|   |                      |   |               |     |       |                 |          |           | -  | -  | -  | -  | -  | 6  | 7  | 8  | 9  | 10 | 11 | -  | -  | -  | -  | -  | -  | -  | -  | -  | -      | -        | - | - | - | - | - | - |
| GPEC RCPT CONN 103 CKT TOP LVR KEY 1/58 | 349931035            | 1-BLACK   | IH            | PLR | LT    | LA              | M        | R         | -  | 21 | 22 | -  | -  | -  | 27 | -  | 29 | -  | -  | -  | -  | -  | -  | -  | -  | -  | -  | -  | -      | -        | - |   |   |   |   |   |
|   |                      |   |               |     |       |                 |          |           | -  | -  | 41 | 42 | 43 | 44 | 45 | 46 | 47 | 48 | 49 | 50 | 51 | 52 | -  | -  | -  | -  | 57 | -  | -      | -        | - | - | - | - | - |   |
|   |                      |   |               |     |       |                 |          |           | -  | 59 | -  | -  | -  | -  | 64 | 65 | -  | 67 | 68 | 69 | -  | -  | 72 | 73 | 74 | 75 | 76 | -  | -      | -        | - | - | - | - | - | - |
|   |                      |   |               |     |       |                 |          |           | -  | 78 | -  | 80 | -  | -  | -  | 84 | 85 | -  | -  | -  | -  | -  | -  | -  | -  | 93 | 94 | 95 | -      | -        | - | - | - | - | - | - |
|   |                      |   |               |     |       |                 |          |           | -  | -  | -  | -  | -  | 6  | 7  | 8  | 9  | 10 | 11 | -  | -  | -  | -  | -  | -  | -  | -  | -  | -      | -        | - | - | - | - | - | - |
| GPEC RCPT CONN 103 CKT TOP LVR KEY 1/48 | 349931036            | 1-BLACK   | IH            | PLR | LT    | LA              | M        | R         | -  | 21 | 22 | -  | 24 | 25 | 26 | 27 | 28 | 29 | -  | -  | -  | 33 | 34 | -  | 36 | -  | 38 | -  | -      |          |   |   |   |   |   |   |
|   |                      |   |               |     |       |                 |          |           | -  | 40 | -  | -  | 43 | 44 | 45 | 46 | 47 | -  | -  | -  | 51 | 52 | 53 | -  | 55 | 56 | 57 | -  | -      | -        | - | - | - | - |   |   |
|   |                      |   |               |     |       |                 |          |           | 58   | 59 | -  | 61 | -  | -  | 64 | 65 | -  | 67 | -  | -  | 70 | 71 | -  | 73 | -  | -  | -  | -  | -      | -        | - | - | - | - | - |   |
|   |                      |   |               |     |       |                 |          |           | -  | -  | 79 | 80 | -  | 82 | 83 | -  | 85 | 86 | 87 | -  | -  | 90 | -  | 92 | -  | -  | -  | -  | -      | -        | - | - | - | - | - | - |
|   |                      |   |               |     |       |                 |          |           | -  | -  | -  | -  | -  | 5  | 6  | 7  | 8  | 9  | 10 | 11 | -  | 13 | -  | -  | -  | -  | -  | -  | -      | -        | - | - | - | - | - | - |
| GPEC RCPT CONN 103 CKT TOP LVR KEY 1/51 | 349931037            | 1-BLACK   | IH            | PLR | LT    | LA              | M        | R         | -  | 21 | 22 | -  | 24 | 25 | 26 | 27 | -  | 29 | -  | -  | -  | 33 | 34 | -  | -  | -  | 38 | -  | -      |          |   |   |   |   |   |   |
|   |                      |   |               |     |       |                 |          |           | -  | 40 | -  | -  | 43 | 44 | 45 | 46 | 47 | -  | -  | -  | 51 | 52 | 53 | -  | -  | 56 | 57 | -  | -      | -        | - | - | - | - |   |   |
|   |                      |   |               |     |       |                 |          |           | 58   | 59 | -  | 61 | -  | -  | 64 | 65 | -  | 67 | -  | -  | 70 | 71 | -  | 73 | -  | -  | -  | -  | -      | -        | - | - | - | - | - |   |
|   |                      |   |               |     |       |                 |          |           | -  | -  | 79 | 80 | -  | 82 | 83 | -  | 85 | 86 | 87 | -  | -  | 90 | -  | 92 | -  | -  | -  | -  | -      | -        | - | - | - | - | - | - |
|   |                      |   |               |     |       |                 |          |           | -  | -  | -  | -  | -  | 5  | 6  | 7  | 8  | 9  | 10 | 11 | -  | 13 | -  | -  | -  | -  | -  | -  | -      | -        | - | - | - | - | - | - |
| GPEC RCPT CONN 103 CKT TOP LVR KEY 1/45 | 349931038            | 1-BLACK   | IH            | PLR | LT    | LA              | M        | R         | -  | 21 | 22 | -  | 24 | 25 | 26 | 27 | 28 | 29 | -  | -  | -  | 33 | 34 | -  | 36 | -  | 38 | -  | -      |          |   |   |   |   |   |   |
|   |                      |   |               |     |       |                 |          |           | -  | 40 | -  | -  | 43 | 44 | 45 | 46 | 47 | -  | -  | -  | 51 | 52 | 53 | -  | 55 | 56 | 57 | -  | -      | -        | - | - | - | - |   |   |
|   |                      |   |               |     |       |                 |          |           | 58   | 59 | -  | 61 | -  | -  | 64 | 65 | -  | 67 | -  | -  | 70 | 71 | -  | 73 | -  | -  | -  | -  | -      | -        | - | - | - | - | - |   |
|   |                      |   |               |     |       |                 |          |           | -  | -  | 79 | 80 | -  | 82 | 83 | -  | 85 | 86 | 87 | -  | -  | 90 | -  | 92 | -  | -  | -  | -  | -      | -        | - | - | - | - | - | - |
|   |                      |   |               |     |       |                 |          |           | -  | -  | -  | -  | -  | 4  | 5  | 6  | 7  | 8  | 9  | 10 | 11 | 12 | -  | -  | 15 | -  | -  | -  | -      | -        | - | - | - | - | - | - |
| GPEC RCPT CONN 103 CKT TOP LVR KEY 1/48 | 349931039            | 1-BLACK   | IH            | PLR | LT    | LA              | M        | R         | -  | 21 | 22 | -  | 24 | 25 | 26 | 27 | -  | 29 | -  | -  | -  | 33 | 34 | -  | -  | -  | 38 | -  | -      |          |   |   |   |   |   |   |
|   |                      |   |               |     |       |                 |          |           | -  | 40 | -  | -  | 43 | 44 | 45 | 46 | 47 | -  | -  | -  | 51 | 52 | 53 | -  | -  | 56 | 57 | -  | -      | -        | - | - | - | - |   |   |
|   |                      |   |               |     |       |                 |          |           | 58   | 59 | -  | 61 | -  | -  | 64 | 65 | -  | 67 | -  | -  | 70 | 71 | -  | 73 | -  | -  | -  | -  | -      | -        | - | - | - | - | - |   |
|   |                      |   |               |     |       |                 |          |           | -  | -  | 79 | 80 | -  | 82 | 83 | -  | 85 | 86 | 87 | -  | -  | 90 | -  | 92 | -  | -  | -  | -  | -      | -        | - | - | - | - | - | - |
|   |                      |   |               |     |       |                 |          |           | -  | -  | -  | -  | -  | 4  | 5  | 6  | 7  | 8  | 9  | 10 | 11 | 12 | -  | -  | 15 | -  | -  | -  | -      | -        | - | - | - | - | - | - |
| GPEC RCPT CONN 103 CKT TOP LVR KEY 1/46 | 349931040            | 1-BLACK   | IH            | PLR | LT    | LA              | M        | R         | -  | 21 | 22 | 23 | -  | -  | -  | 27 | -  | 29 | 30 | 31 | -  | 33 | -  | 35 | -  | -  | -  | -  | -      | -        | - |   |   |   |   |   |
|   |                      |   |               |     |       |                 |          |           | -  | -  | 41 | 42 | 43 | 44 | 45 | 46 | 47 | 48 | 49 | 50 | 51 | 52 | -  | -  | -  | -  | 57 | -  | -      | -        | - | - | - | - | - |   |
|   |                      |   |               |     |       |                 |          |           | -  | 59 | -  | 61 | -  | -  | -  | 65 | -  | 67 | 68 | -  | 70 | -  | 72 | 73 | 74 | 75 | 76 | -  | -      | -        | - | - | - | - | - | - |
|   |                      |   |               |     |       |                 |          |           | -  | 78 | -  | 80 | -  | 82 | -  | 84 | 85 | -  | -  | -  | -  | -  | -  | -  | -  | 93 | 94 | 95 | -      | -        | - | - | - | - | - | - |
|   |                      |   |               |     |       |                 |          |           | -  | -  | -  | -  | -  | 4  | 5  | 6  | 7  | 8  | 9  | 10 | 11 | 12 | -  | -  | 15 | -  | -  | -  | -      | -        | - | - | - | - | - | - |





**BOM AND PIN OUT SHEET**

| ASSEMBLY DESCRIPTION                     | ASSEMBLY PART NUMBER | COMPONENT   |               |     |       |                 |          |           | BLOCKED TERMINALS  |    |    |    |    |    |    |    |    |    |    |    |    |    |    |    |    |    |    | STATUS   | COMMENTS |          |   |
|--|----------------------|---|---------------|-----|-------|-----------------|----------|-----------|--|----|----|----|----|----|----|----|----|----|----|----|----|----|----|----|----|----|----|----------|----------|----------|---|
|  |                      | THE PRESENCE OF AN ABBREVIATION INDICATES THE PRESENCE OF THAT COMPONENT. |               |     |       |                 |          |           | CAVITY WITH A NUMBER INDICATES BLOCKED TERMINAL POSITION<br>CAVITY WITHOUT A NUMBER INDICATES OPEN TERMINAL POSITION |    |    |    |    |    |    |    |    |    |    |    |    |    |    |    |    |    |    |          |          |          |   |
|  |                      | OUTER HOUSING KEY/COLOR   | INNER HOUSING | PLR | LEVER | LEVER ARM (x/2) | MAT SEAL | RING SEAL |  |    |    |    |    |    |    |    |    |    |    |    |    |    |    |    |    |    |    |          |          |          |   |
| GPEC RCPT CONN 103 CKT END LVR KEY 4/53  | 349936004            | 4-BLACK   | IH            | PLR | LE    | LA              | M        | R         | -  | 2  | 3  | 4  | -  | -  | 7  | -  | -  | -  | -  | 12 | -  | -  | -  | -  | 18 | 19 | -  | -        | SALEABLE |          |   |
|  |                      |   |               |     |       |                 |          |           | 20   | 21 | 22 | 23 | -  | -  | -  | -  | -  | -  | 30 | -  | 32 | -  | 34 | -  | -  | 37 | 38 | -        |          |          | - |
|  |                      |   |               |     |       |                 |          |           | -  | -  | -  | -  | 43 | 44 | 45 | -  | -  | -  | -  | 50 | -  | -  | 53 | 54 | -  | 56 | -  | -        |          |          | - |
|  |                      |   |               |     |       |                 |          |           | -  | 59 | 60 | -  | -  | -  | -  | -  | -  | -  | 68 | 69 | -  | -  | 72 | 73 | -  | 75 | 76 | -        |          |          | - |
|  |                      |   |               |     |       |                 |          |           | 77   | 78 | 79 | 80 | 81 | 82 | 83 | 84 | 85 | 86 | 87 | 88 | 89 | 90 | 91 | 92 | 93 | 94 | 95 | -        |          |          | - |
| GPEC RCPT CONN 103 CKT END LVR KEY 4/51  | 349936005            | 4-BLACK   | IH            | PLR | LE    | LA              | M        | R         | -  | 2  | 3  | 4  | -  | -  | 7  | -  | -  | -  | -  | 12 | -  | -  | -  | -  | 18 | 19 | -  | -        | SALEABLE |          |   |
|  |                      |   |               |     |       |                 |          |           | 20   | 21 | 22 | 23 | -  | -  | -  | -  | -  | -  | 30 | -  | 32 | -  | 34 | -  | -  | 37 | 38 | -        |          |          | - |
|  |                      |   |               |     |       |                 |          |           | -  | -  | -  | -  | 43 | 44 | 45 | -  | -  | -  | -  | 50 | -  | -  | 53 | 54 | -  | 56 | -  | -        |          |          | - |
|  |                      |   |               |     |       |                 |          |           | -  | 59 | 60 | -  | -  | -  | -  | -  | -  | -  | 68 | 69 | 70 | 71 | 72 | 73 | -  | 75 | 76 | -        |          |          | - |
|  |                      |   |               |     |       |                 |          |           | 77   | 78 | 79 | 80 | 81 | 82 | 83 | 84 | 85 | 86 | 87 | 88 | 89 | 90 | 91 | 92 | 93 | 94 | 95 | -        |          |          | - |
| GPEC RCPT CONN 103 CKT END LVR KEY 4/52  | 349936006            | 4-BLACK   | IH            | PLR | LE    | LA              | M        | R         | -  | 2  | 3  | 4  | -  | -  | 7  | -  | -  | -  | -  | 12 | -  | -  | -  | -  | 18 | 19 | -  | -        | SALEABLE |          |   |
|  |                      |   |               |     |       |                 |          |           | 20   | 21 | 22 | 23 | -  | -  | -  | -  | -  | -  | 30 | -  | 32 | -  | 34 | 35 | -  | 37 | 38 | -        |          |          | - |
|  |                      |   |               |     |       |                 |          |           | -  | -  | -  | -  | 43 | 44 | 45 | -  | -  | -  | -  | 50 | -  | -  | 53 | 54 | -  | 56 | -  | -        |          |          | - |
|  |                      |   |               |     |       |                 |          |           | -  | 59 | 60 | -  | -  | -  | -  | -  | -  | -  | 68 | 69 | -  | -  | 72 | 73 | -  | 75 | 76 | -        |          |          | - |
|  |                      |   |               |     |       |                 |          |           | 77   | 78 | 79 | 80 | 81 | 82 | 83 | 84 | 85 | 86 | 87 | 88 | 89 | 90 | 91 | 92 | 93 | 94 | 95 | -        |          |          | - |
| GPEC RCPT CONN 103 CKT END LVR KEY 4/50  | 349936007            | 4-BLACK   | IH            | PLR | LE    | LA              | M        | R         | -  | 2  | 3  | 4  | -  | -  | 7  | -  | -  | -  | -  | 12 | -  | -  | -  | -  | 18 | 19 | -  | -        | SALEABLE |          |   |
|  |                      |   |               |     |       |                 |          |           | 20   | 21 | 22 | 23 | -  | -  | -  | -  | -  | -  | 30 | -  | 32 | -  | 34 | 35 | -  | 37 | 38 | -        |          |          | - |
|  |                      |   |               |     |       |                 |          |           | -  | -  | -  | -  | 43 | 44 | 45 | -  | -  | -  | -  | 50 | -  | -  | 53 | 54 | -  | 56 | -  | -        |          |          | - |
|  |                      |   |               |     |       |                 |          |           | -  | 59 | 60 | -  | -  | -  | -  | -  | -  | -  | 68 | 69 | 70 | 71 | 72 | 73 | -  | 75 | 76 | -        |          |          | - |
|  |                      |   |               |     |       |                 |          |           | 77   | 78 | 79 | 80 | 81 | 82 | 83 | 84 | 85 | 86 | 87 | 88 | 89 | 90 | 91 | 92 | 93 | 94 | 95 | -        |          |          | - |
| GPEC RCPT CONN 103 CKT END LVR KEY 4/102 | 349936008            | 4-BLACK   | IH            | PLR | LE    | LA              | M        | R         | -  | -  | -  | -  | -  | -  | -  | -  | -  | -  | -  | -  | -  | -  | -  | -  | -  | -  | -  | SALEABLE |          |          |   |
|  |                      |   |               |     |       |                 |          |           | -  | -  | -  | -  | -  | -  | -  | -  | -  | -  | -  | -  | -  | -  | -  | -  | -  | -  | -  |          |          | -        | - |
|  |                      |   |               |     |       |                 |          |           | -  | -  | -  | -  | -  | -  | -  | -  | -  | -  | -  | -  | -  | -  | -  | -  | -  | -  | -  |          |          | -        | - |
|  |                      |   |               |     |       |                 |          |           | -  | -  | -  | -  | -  | -  | -  | -  | -  | -  | -  | -  | -  | -  | -  | -  | -  | -  | -  |          |          | -        | - |
|  |                      |   |               |     |       |                 |          |           | -  | -  | -  | -  | -  | -  | -  | -  | -  | -  | -  | -  | -  | -  | -  | -  | -  | -  | 95 |          |          | -        | - |
| GPEC RCPT CONN 103 CKT END LVR KEY 4/84  | 349936009            | 4-BLACK   | IH            | PLR | LE    | LA              | M        | R         | -  | -  | -  | -  | -  | -  | -  | -  | -  | -  | -  | -  | -  | -  | -  | -  | -  | -  | -  | SALEABLE |          |          |   |
|  |                      |   |               |     |       |                 |          |           | -  | -  | -  | -  | -  | -  | -  | -  | -  | -  | -  | -  | -  | -  | -  | -  | -  | -  | -  |          |          | -        | - |
|  |                      |   |               |     |       |                 |          |           | -  | -  | -  | -  | -  | -  | -  | -  | -  | -  | -  | -  | -  | -  | -  | -  | -  | -  | -  |          |          | -        | - |
|  |                      |   |               |     |       |                 |          |           | -  | -  | -  | -  | -  | -  | -  | -  | -  | -  | -  | -  | -  | -  | -  | -  | -  | -  | -  |          |          | -        | - |
|  |                      |   |               |     |       |                 |          |           | 77   | 78 | 79 | 80 | 81 | 82 | 83 | 84 | 85 | 86 | 87 | 88 | 89 | 90 | 91 | 92 | 93 | 94 | 95 |          |          | -        | - |
| GPEC RCPT CONN 103 CKT END LVR KEY 4/49  | 349936010            | 4-BLACK   | IH            | PLR | LE    | LA              | M        | R         | -  | -  | 3  | 4  | 5  | -  | 7  | -  | -  | -  | 11 | 12 | -  | -  | -  | -  | 17 | 18 | 19 | -        | -        | SALEABLE |   |
|  |                      |   |               |     |       |                 |          |           | 20   | -  | -  | 23 | -  | -  | -  | -  | -  | -  | 30 | -  | 32 | 33 | 34 | 35 | 36 | 37 | 38 | -        | -        |          |   |
|  |                      |   |               |     |       |                 |          |           | -  | -  | -  | -  | 43 | 44 | 45 | -  | -  | -  | -  | 50 | -  | -  | 53 | 54 | -  | -  | -  | -        | -        |          |   |
|  |                      |   |               |     |       |                 |          |           | -  | -  | 60 | -  | -  | -  | -  | -  | 66 | -  | 68 | 69 | 70 | 71 | 72 | 73 | -  | 75 | 76 | -        | -        |          |   |
|  |                      |   |               |     |       |                 |          |           | 77   | 78 | 79 | 80 | 81 | 82 | 83 | 84 | 85 | 86 | 87 | 88 | 89 | 90 | 91 | 92 | 93 | 94 | 95 | -        | -        |          |   |
| GPEC RCPT CONN 103 CKT END LVR KEY 4/51  | 349936011            | 4-BLACK   | IH            | PLR | LE    | LA              | M        | R         | -  | -  | 3  | 4  | -  | -  | 7  | -  | -  | 10 | 11 | 12 | -  | -  | -  | -  | 17 | 18 | 19 | -        | -        | SALEABLE |   |
|  |                      |   |               |     |       |                 |          |           | 20   | -  | -  | 23 | -  | 25 | -  | -  | -  | -  | 30 | -  | 32 | 33 | 34 | 35 | 36 | 37 | 38 | -        | -        |          |   |
|  |                      |   |               |     |       |                 |          |           | -  | -  | -  | -  | 43 | 44 | 45 | -  | 47 | -  | -  | -  | -  | 52 | 53 | 54 | -  | -  | -  | -        | -        |          |   |
|  |                      |   |               |     |       |                 |          |           | -  | -  | 60 | -  | -  | -  | -  | -  | -  | -  | 68 | 69 | -  | -  | 72 | -  | -  | 75 | 76 | -        | -        |          |   |
|  |                      |   |               |     |       |                 |          |           | 77   | 78 | 79 | 80 | 81 | 82 | 83 | 84 | 85 | 86 | 87 | 88 | 89 | 90 | 91 | 92 | 93 | 94 | 95 | -        | -        |          |   |
| GPEC RCPT CONN 103 CKT END LVR KEY 4/16  | 349936012            | 4-BLACK   | IH            | PLR | LE    | LA              | M        | R         | 1  | 2  | 3  | 4  | 5  | 6  | 7  | 8  | 9  | 10 | 11 | 12 | 13 | 14 | 15 | 16 | 17 | 18 | 19 | -        | -        | SALEABLE |   |
|  |                      |   |               |     |       |                 |          |           | 20   | 21 | 22 | 23 | 24 | 25 | 26 | 27 | 28 | 29 | 30 | 31 | 32 | 33 | 34 | 35 | 36 | 37 | 38 | -        | -        |          |   |
|  |                      |   |               |     |       |                 |          |           | 39   | 40 | 41 | 42 | 43 | -  | 45 | -  | 47 | 48 | 49 | 50 | 51 | -  | 53 | 54 | 55 | 56 | 57 | -        | -        |          |   |
|  |                      |   |               |     |       |                 |          |           | 58   | 59 | 60 | 61 | 62 | -  | -  | -  | 66 | -  | -  | -  | -  | 71 | -  | -  | 74 | 75 | 76 | 100      | 101      |          |   |
|  |                      |   |               |     |       |                 |          |           | 77   | 78 | 79 | 80 | 81 | 82 | 83 | 84 | 85 | 86 | 87 | 88 | 89 | 90 | 91 | 92 | 93 | 94 | 95 | 102      | 103      |          |   |
| GPEC RCPT CONN 103 CKT TOP LVR KEY 4/103 | 349937001            | 4-BLACK   | IH            | PLR | LT    | LA              | M        | R         | -  | -  | -  | -  | -  | -  | -  | -  | -  | -  | -  | -  | -  | -  | -  | -  | -  | -  | -  | SALEABLE |          |          |   |
|  |                      |   |               |     |       |                 |          |           | -  | -  | -  | -  | -  | -  | -  | -  | -  | -  | -  | -  | -  | -  | -  | -  | -  | -  | -  |          |          | -        | - |
|  |                      |   |               |     |       |                 |          |           | -  | -  | -  | -  | -  | -  | -  | -  | -  | -  | -  | -  | -  | -  | -  | -  | -  | -  | -  |          |          | -        | - |
|  |                      |   |               |     |       |                 |          |           | -  | -  | -  | -  | -  | -  | -  | -  | -  | -  | -  | -  | -  | -  | -  | -  | -  | -  | -  |          |          | -        | - |
|  |                      |   |               |     |       |                 |          |           | -  | -  | -  | -  | -  | -  | -  | -  | -  | -  | -  | -  | -  | -  | -  | -  | -  | -  | -  |          |          | -        | - |





**BOM AND PIN OUT SHEET**

| ASSEMBLY DESCRIPTION                     | ASSEMBLY PART NUMBER | COMPONENT   |               |     |       |                 |          |           | BLOCKED TERMINALS  |    |    |    |    |    |    |    |    |    |    |    |    |    |    |    |    |    |    | STATUS | COMMENTS |
|--|----------------------|---|---------------|-----|-------|-----------------|----------|-----------|--|----|----|----|----|----|----|----|----|----|----|----|----|----|----|----|----|----|----|--------|----------|
|  |                      | THE PRESENCE OF AN ABBREVIATION INDICATES THE PRESENCE OF THAT COMPONENT. |               |     |       |                 |          |           | CAVITY WITH A NUMBER INDICATES BLOCKED TERMINAL POSITION<br>CAVITY WITHOUT A NUMBER INDICATES OPEN TERMINAL POSITION |    |    |    |    |    |    |    |    |    |    |    |    |    |    |    |    |    |    |        |          |
|  |                      | OUTER HOUSING KEY/COLOR   | INNER HOUSING | PLR | LEVER | LEVER ARM (x/2) | MAT SEAL | RING SEAL | 1  | 2  | 3  | 4  | 5  | 6  | 7  | 8  | 9  | 10 | 11 | 12 | 13 | 14 | 15 | 16 | 17 | 18 | 19 |        |          |
| GPEC RCPT CONN 103 CKT TOP LVR KEY 4/28  | 349937012            | 4-BLACK   | IH            | PLR | LT    | LA              | M        | R         | 1  | 2  | 3  | 4  | 5  | 6  | 7  | 8  | 9  | 10 | 11 | 12 | 13 | 14 | 15 | 16 | 17 | 18 | 19 |        |          |
|  |                      |   |               |     |       |                 |          |           | 20   | 21 | 22 | 23 | 24 | 25 | 26 | 27 | 28 | 29 | 30 | 31 | 32 | 33 | 34 | 35 | 36 | 37 | 38 |        |          |
|  |                      |   |               |     |       |                 |          |           | 39   | 40 | 41 | 42 | 43 | 44 | 45 | 46 | 47 | 48 | 49 | 50 | 51 | 52 | 53 | 54 | 55 | 56 | 57 |        |          |
|  |                      |   |               |     |       |                 |          |           | 58   | 59 | 60 | 61 | 62 | 63 | 64 | 65 | 66 | 67 | 68 | 69 | 70 | 71 | 72 | 73 | 74 | 75 | 76 |        |          |
| GPEC RCPT CONN 103 CKT TOP LVR KEY 4/58  | 349937013            | 4-BLACK   | IH            | PLR | LT    | LA              | M        | R         | 77   | 78 | 79 | 80 | 81 | 82 | 83 | 84 | 85 | 86 | 87 | 88 | 89 | 90 | 91 | 92 | 93 | 94 | 95 |        |          |
|  |                      |   |               |     |       |                 |          |           | 1  | 2  | 3  | 4  | 5  | 6  | 7  | 8  | 9  | 10 | 11 | 12 | 13 | 14 | 15 | 16 | 17 | 18 | 19 |        |          |
|  |                      |   |               |     |       |                 |          |           | 20   | 21 | 22 | 23 | 24 | 25 | 26 | 27 | 28 | 29 | 30 | 31 | 32 | 33 | 34 | 35 | 36 | 37 | 38 |        |          |
|  |                      |   |               |     |       |                 |          |           | 39   | 40 | 41 | 42 | 43 | 44 | 45 | 46 | 47 | 48 | 49 | 50 | 51 | 52 | 53 | 54 | 55 | 56 | 57 |        |          |
| GPEC RCPT CONN 103 CKT TOP LVR KEY 4/60  | 349937014            | 4-BLACK   | IH            | PLR | LT    | LA              | M        | R         | 58   | 59 | 60 | 61 | 62 | 63 | 64 | 65 | 66 | 67 | 68 | 69 | 70 | 71 | 72 | 73 | 74 | 75 | 76 |        |          |
|  |                      |   |               |     |       |                 |          |           | 1  | 2  | 3  | 4  | 5  | 6  | 7  | 8  | 9  | 10 | 11 | 12 | 13 | 14 | 15 | 16 | 17 | 18 | 19 |        |          |
|  |                      |   |               |     |       |                 |          |           | 20   | 21 | 22 | 23 | 24 | 25 | 26 | 27 | 28 | 29 | 30 | 31 | 32 | 33 | 34 | 35 | 36 | 37 | 38 |        |          |
|  |                      |   |               |     |       |                 |          |           | 39   | 40 | 41 | 42 | 43 | 44 | 45 | 46 | 47 | 48 | 49 | 50 | 51 | 52 | 53 | 54 | 55 | 56 | 57 |        |          |
| GPEC RCPT CONN 103 CKT TOP LVR KEY 4/101 | 349937015            | 4-BLACK   | IH            | PLR | LT    | LA              | M        | R         | 77   | 78 | 79 | 80 | 81 | 82 | 83 | 84 | 85 | 86 | 87 | 88 | 89 | 90 | 91 | 92 | 93 | 94 | 95 |        |          |
|  |                      |   |               |     |       |                 |          |           | 1  | 2  | 3  | 4  | 5  | 6  | 7  | 8  | 9  | 10 | 11 | 12 | 13 | 14 | 15 | 16 | 17 | 18 | 19 |        |          |
|  |                      |   |               |     |       |                 |          |           | 20   | 21 | 22 | 23 | 24 | 25 | 26 | 27 | 28 | 29 | 30 | 31 | 32 | 33 | 34 | 35 | 36 | 37 | 38 |        |          |
|  |                      |   |               |     |       |                 |          |           | 39   | 40 | 41 | 42 | 43 | 44 | 45 | 46 | 47 | 48 | 49 | 50 | 51 | 52 | 53 | 54 | 55 | 56 | 57 |        |          |
| GPEC RCPT CONN 103 CKT TOP LVR KEY 4/58  | 349937016            | 4-BLACK   | IH            | PLR | LT    | LA              | M        | R         | 58   | 59 | 60 | 61 | 62 | 63 | 64 | 65 | 66 | 67 | 68 | 69 | 70 | 71 | 72 | 73 | 74 | 75 | 76 |        |          |
|  |                      |   |               |     |       |                 |          |           | 1  | 2  | 3  | 4  | 5  | 6  | 7  | 8  | 9  | 10 | 11 | 12 | 13 | 14 | 15 | 16 | 17 | 18 | 19 |        |          |
|  |                      |   |               |     |       |                 |          |           | 20   | 21 | 22 | 23 | 24 | 25 | 26 | 27 | 28 | 29 | 30 | 31 | 32 | 33 | 34 | 35 | 36 | 37 | 38 |        |          |
|  |                      |   |               |     |       |                 |          |           | 39   | 40 | 41 | 42 | 43 | 44 | 45 | 46 | 47 | 48 | 49 | 50 | 51 | 52 | 53 | 54 | 55 | 56 | 57 |        |          |
| GPEC RCPT CONN 103 CKT TOP LVR KEY 4/57  | 349937017            | 4-BLACK   | IH            | PLR | LT    | LA              | M        | R         | 77   | 78 | 79 | 80 | 81 | 82 | 83 | 84 | 85 | 86 | 87 | 88 | 89 | 90 | 91 | 92 | 93 | 94 | 95 |        |          |
|  |                      |   |               |     |       |                 |          |           | 1  | 2  | 3  | 4  | 5  | 6  | 7  | 8  | 9  | 10 | 11 | 12 | 13 | 14 | 15 | 16 | 17 | 18 | 19 |        |          |
|  |                      |   |               |     |       |                 |          |           | 20   | 21 | 22 | 23 | 24 | 25 | 26 | 27 | 28 | 29 | 30 | 31 | 32 | 33 | 34 | 35 | 36 | 37 | 38 |        |          |
|  |                      |   |               |     |       |                 |          |           | 39   | 40 | 41 | 42 | 43 | 44 | 45 | 46 | 47 | 48 | 49 | 50 | 51 | 52 | 53 | 54 | 55 | 56 | 57 |        |          |
| GPEC RCPT CONN 103 CKT TOP LVR KEY 4/52  | 349937018            | 4-BLACK   | IH            | PLR | LT    | LA              | M        | R         | 58   | 59 | 60 | 61 | 62 | 63 | 64 | 65 | 66 | 67 | 68 | 69 | 70 | 71 | 72 | 73 | 74 | 75 | 76 |        |          |
|  |                      |   |               |     |       |                 |          |           | 1  | 2  | 3  | 4  | 5  | 6  | 7  | 8  | 9  | 10 | 11 | 12 | 13 | 14 | 15 | 16 | 17 | 18 | 19 |        |          |
|  |                      |   |               |     |       |                 |          |           | 20   | 21 | 22 | 23 | 24 | 25 | 26 | 27 | 28 | 29 | 30 | 31 | 32 | 33 | 34 | 35 | 36 | 37 | 38 |        |          |
|  |                      |   |               |     |       |                 |          |           | 39   | 40 | 41 | 42 | 43 | 44 | 45 | 46 | 47 | 48 | 49 | 50 | 51 | 52 | 53 | 54 | 55 | 56 | 57 |        |          |
| GPEC RCPT CONN 103 CKT TOP LVR KEY 4/52  | 349937019            | 4-BLACK   | IH            | PLR | LT    | LA              | M        | R         | 77   | 78 | 79 | 80 | 81 | 82 | 83 | 84 | 85 | 86 | 87 | 88 | 89 | 90 | 91 | 92 | 93 | 94 | 95 |        |          |
|  |                      |   |               |     |       |                 |          |           | 1  | 2  | 3  | 4  | 5  | 6  | 7  | 8  | 9  | 10 | 11 | 12 | 13 | 14 | 15 | 16 | 17 | 18 | 19 |        |          |
|  |                      |   |               |     |       |                 |          |           | 20   | 21 | 22 | 23 | 24 | 25 | 26 | 27 | 28 | 29 | 30 | 31 | 32 | 33 | 34 | 35 | 36 | 37 | 38 |        |          |
|  |                      |   |               |     |       |                 |          |           | 39   | 40 | 41 | 42 | 43 | 44 | 45 | 46 | 47 | 48 | 49 | 50 | 51 | 52 | 53 | 54 | 55 | 56 | 57 |        |          |
| GPEC RCPT CONN 103 CKT TOP LVR KEY 4/54  | 349937020            | 4-BLACK   | IH            | PLR | LT    | LA              | M        | R         | 58   | 59 | 60 | 61 | 62 | 63 | 64 | 65 | 66 | 67 | 68 | 69 | 70 | 71 | 72 | 73 | 74 | 75 | 76 |        |          |
|  |                      |   |               |     |       |                 |          |           | 1  | 2  | 3  | 4  | 5  | 6  | 7  | 8  | 9  | 10 | 11 | 12 | 13 | 14 | 15 | 16 | 17 | 18 | 19 |        |          |
|  |                      |   |               |     |       |                 |          |           | 20   | 21 | 22 | 23 | 24 | 25 | 26 | 27 | 28 | 29 | 30 | 31 | 32 | 33 | 34 | 35 | 36 | 37 | 38 |        |          |
|  |                      |   |               |     |       |                 |          |           | 39   | 40 | 41 | 42 | 43 | 44 | 45 | 46 | 47 | 48 | 49 | 50 | 51 | 52 | 53 | 54 | 55 | 56 | 57 |        |          |
| GPEC RCPT CONN 103 CKT END LVR KEY 5/103 | 349938001            | 5-BLACK   | IH            | PLR | LE    | LA              | M        | R         | 77   | 78 | 79 | 80 | 81 | 82 | 83 | 84 | 85 | 86 | 87 | 88 | 89 | 90 | 91 | 92 | 93 | 94 | 95 |        |          |
|  |                      |   |               |     |       |                 |          |           | 1  | 2  | 3  | 4  | 5  | 6  | 7  | 8  | 9  | 10 | 11 | 12 | 13 | 14 | 15 | 16 | 17 | 18 | 19 |        |          |
|  |                      |   |               |     |       |                 |          |           | 20   | 21 | 22 | 23 | 24 | 25 | 26 | 27 | 28 | 29 | 30 | 31 | 32 | 33 | 34 | 35 | 36 | 37 | 38 |        |          |
|  |                      |   |               |     |       |                 |          |           | 39   | 40 | 41 | 42 | 43 | 44 | 45 | 46 | 47 | 48 | 49 | 50 | 51 | 52 | 53 | 54 | 55 | 56 | 57 |        |          |



BOM AND PIN OUT SHEET

| ASSEMBLY DESCRIPTION                     | ASSEMBLY PART NUMBER | COMPONENT   |               |     |       |                 |          |           | BLOCKED TERMINALS  |    |    |    |    |    |    |    |    |    |    |    |    |    |    |    |    |    |    |    |   | STATUS | COMMENTS |   |   |   |   |
|--|----------------------|---|---------------|-----|-------|-----------------|----------|-----------|--|----|----|----|----|----|----|----|----|----|----|----|----|----|----|----|----|----|----|----|---|--------|----------|---|---|---|---|
|  |                      | THE PRESENCE OF AN ABBREVIATION INDICATES THE PRESENCE OF THAT COMPONENT. |               |     |       |                 |          |           | CAVITY WITH A NUMBER INDICATES BLOCKED TERMINAL POSITION<br>CAVITY WITHOUT A NUMBER INDICATES OPEN TERMINAL POSITION |    |    |    |    |    |    |    |    |    |    |    |    |    |    |    |    |    |    |    |   |        |          |   |   |   |   |
|  |                      | OUTER HOUSING KEY/COLOR   | INNER HOUSING | PLR | LEVER | LEVER ARM (x/2) | MAT SEAL | RING SEAL |  |    |    |    |    |    |    |    |    |    |    |    |    |    |    |    |    |    |    |    |   |        |          |   |   |   |   |
| GPEC RCPT CONN 103 CKT END LVR KEY 5/48  | 349938018            | 5-BLACK   | IH            | PLR | LE    | LA              | M        | R         | 1  | -  | 3  | 4  | 5  | -  | 7  | -  | 9  | 10 | -  | -  | -  | -  | -  | 16 | 17 | -  | -  | -  | - |        |          |   |   |   |   |
|  |                      |   |               |     |       |                 |          |           | 20   | 21 | 22 | 23 | 24 | 25 | 26 | 27 | -  | -  | -  | -  | 32 | 33 | 34 | 35 | 36 | -  | 38 | -  | - | -      | -        |   |   |   |   |
|  |                      |   |               |     |       |                 |          |           | -  | -  | -  | -  | -  | 44 | 45 | -  | 47 | -  | -  | -  | -  | 52 | 53 | 54 | -  | -  | -  | -  | - | -      | -        | - | - | - |   |
|  |                      |   |               |     |       |                 |          |           | -  | -  | -  | -  | -  | -  | -  | -  | -  | -  | 68 | 69 | 70 | 71 | 72 | -  | 74 | 75 | 76 | -  | - | -      | -        | - | - | - |   |
| GPEC RCPT CONN 103 CKT END LVR KEY 5/61  | 349938019            | 5-BLACK   | IH            | PLR | LE    | LA              | M        | R         | 1  | 2  | 3  | -  | -  | -  | -  | -  | -  | -  | -  | -  | 12 | -  | -  | -  | -  | -  | -  | -  | - | -      |          |   |   |   |   |
|  |                      |   |               |     |       |                 |          |           | 20   | 21 | -  | -  | -  | -  | 26 | 27 | -  | -  | -  | -  | 32 | -  | 34 | 35 | 36 | -  | 38 | -  | - | -      | -        | - | - |   |   |
|  |                      |   |               |     |       |                 |          |           | -  | -  | -  | -  | -  | 44 | 45 | -  | -  | -  | -  | -  | -  | 52 | 53 | 54 | -  | -  | 57 | -  | - | -      | -        | - | - | - |   |
|  |                      |   |               |     |       |                 |          |           | -  | -  | 60 | -  | -  | -  | -  | -  | -  | -  | -  | -  | -  | -  | -  | 73 | 74 | 75 | 76 | -  | - | -      | -        | - | - | - |   |
| GPEC RCPT CONN 103 CKT END LVR KEY 5/102 | 349938020            | 5-BLACK   | IH            | PLR | LE    | LA              | M        | R         | -  | -  | -  | -  | -  | -  | -  | -  | -  | -  | -  | -  | -  | -  | -  | -  | -  | -  | -  | -  | - | -      |          |   |   |   |   |
|  |                      |   |               |     |       |                 |          |           | -  | -  | -  | -  | -  | -  | -  | -  | -  | -  | -  | -  | -  | -  | -  | -  | -  | -  | -  | -  | - | -      | -        | - | - | - |   |
|  |                      |   |               |     |       |                 |          |           | -  | -  | -  | -  | -  | -  | -  | -  | -  | -  | -  | -  | -  | -  | -  | -  | -  | -  | -  | -  | - | -      | -        | - | - | - | - |
|  |                      |   |               |     |       |                 |          |           | -  | -  | -  | -  | -  | -  | -  | -  | -  | -  | -  | -  | -  | -  | -  | -  | -  | -  | 92 | -  | - | -      | -        | - | - | - | - |
| GPEC RCPT CONN 103 CKT END LVR KEY 5/61  | 349938021            | 5-BLACK   | IH            | PLR | LE    | LA              | M        | R         | 1  | 2  | -  | 4  | -  | -  | -  | -  | -  | -  | -  | -  | -  | -  | -  | -  | -  | -  | -  | -  | - | 19     |          |   |   |   |   |
|  |                      |   |               |     |       |                 |          |           | -  | -  | 22 | -  | -  | -  | 26 | -  | -  | 29 | 30 | -  | 32 | -  | -  | 35 | -  | 37 | 38 | -  | - | -      | -        | - | - | - |   |
|  |                      |   |               |     |       |                 |          |           | -  | -  | -  | -  | 43 | 44 | 45 | -  | -  | -  | -  | -  | -  | 52 | 53 | -  | 55 | 56 | 57 | -  | - | -      | -        | - | - | - |   |
|  |                      |   |               |     |       |                 |          |           | -  | -  | 60 | -  | -  | -  | -  | -  | -  | -  | -  | -  | -  | -  | -  | 73 | 74 | 75 | 76 | -  | - | -      | -        | - | - | - | - |
| GPEC RCPT CONN 103 CKT END LVR KEY 5/74  | 349938022            | 5-BLACK   | IH            | PLR | LE    | LA              | M        | R         | -  | -  | 3  | -  | -  | -  | -  | -  | -  | -  | -  | -  | -  | -  | -  | -  | -  | -  | -  | -  | - |        |          |   |   |   |   |
|  |                      |   |               |     |       |                 |          |           | -  | -  | -  | 23 | -  | -  | 26 | -  | -  | -  | -  | -  | -  | -  | 35 | -  | 37 | 38 | -  | -  | - | -      | -        | - | - | - |   |
|  |                      |   |               |     |       |                 |          |           | -  | -  | -  | -  | 43 | -  | -  | -  | -  | -  | -  | -  | 50 | -  | -  | 54 | -  | 56 | -  | -  | - | -      | -        | - | - | - | - |
|  |                      |   |               |     |       |                 |          |           | -  | -  | -  | -  | -  | -  | -  | -  | -  | -  | -  | -  | -  | -  | 72 | 73 | 74 | 75 | -  | -  | - | -      | -        | - | - | - | - |
| GPEC RCPT CONN 103 CKT END LVR KEY 5/48  | 349938023            | 5-BLACK   | IH            | PLR | LE    | LA              | M        | R         | 1  | 2  | 3  | 4  | 5  | -  | 7  | -  | 9  | -  | 11 | -  | -  | -  | -  | 16 | 17 | 18 | 19 | -  | - |        |          |   |   |   |   |
|  |                      |   |               |     |       |                 |          |           | 20   | 21 | 22 | 23 | 24 | 25 | -  | 27 | -  | -  | 30 | -  | 32 | -  | 34 | 35 | 36 | 37 | 38 | -  | - | -      | -        | - | - | - |   |
|  |                      |   |               |     |       |                 |          |           | -  | -  | -  | -  | -  | 44 | 45 | -  | -  | -  | -  | -  | -  | 52 | 53 | -  | 55 | 56 | 57 | -  | - | -      | -        | - | - | - | - |
|  |                      |   |               |     |       |                 |          |           | -  | -  | -  | -  | -  | -  | -  | -  | -  | -  | -  | -  | -  | -  | -  | 73 | 74 | 75 | -  | -  | - | -      | -        | - | - | - | - |
| GPEC RCPT CONN 103 CKT END LVR KEY 5/50  | 349938024            | 5-BLACK   | IH            | PLR | LE    | LA              | M        | R         | 1  | -  | 3  | 4  | 5  | -  | 7  | -  | 9  | -  | 11 | -  | -  | -  | -  | 16 | 17 | 18 | 19 | -  | - |        |          |   |   |   |   |
|  |                      |   |               |     |       |                 |          |           | 20   | 21 | 22 | 23 | 24 | 25 | -  | 27 | -  | -  | 30 | -  | 32 | -  | 34 | 35 | 36 | 37 | 38 | -  | - | -      | -        | - | - | - |   |
|  |                      |   |               |     |       |                 |          |           | -  | -  | -  | -  | -  | 44 | 45 | -  | -  | -  | -  | -  | -  | 52 | 53 | -  | 55 | 56 | -  | -  | - | -      | -        | - | - | - | - |
|  |                      |   |               |     |       |                 |          |           | -  | -  | -  | -  | -  | -  | -  | -  | -  | -  | -  | -  | -  | -  | -  | 73 | 74 | 75 | -  | -  | - | -      | -        | - | - | - | - |
| GPEC RCPT CONN 103 CKT END LVR KEY 5/65  | 349938025            | 5-BLACK   | IH            | PLR | LE    | LA              | M        | R         | 1  | 2  | 3  | 4  | -  | -  | -  | -  | -  | -  | 11 | -  | -  | -  | -  | -  | -  | -  | -  | -  | - | -      |          |   |   |   |   |
|  |                      |   |               |     |       |                 |          |           | -  | -  | 22 | -  | 24 | -  | 26 | -  | -  | 29 | -  | -  | 32 | -  | -  | 35 | 36 | -  | 38 | -  | - | -      | -        | - | - | - |   |
|  |                      |   |               |     |       |                 |          |           | -  | -  | -  | -  | 43 | -  | -  | -  | -  | -  | -  | -  | -  | -  | -  | 53 | -  | 55 | 56 | 57 | - | -      | -        | - | - | - | - |
|  |                      |   |               |     |       |                 |          |           | -  | -  | 60 | -  | -  | -  | -  | -  | -  | -  | -  | -  | -  | -  | -  | -  | 73 | 74 | 75 | -  | - | -      | -        | - | - | - | - |
| GPEC RCPT CONN 103 CKT END LVR KEY 5/64  | 349938026            | 5-BLACK   | IH            | PLR | LE    | LA              | M        | R         | 1  | 2  | 3  | -  | -  | -  | -  | -  | -  | -  | -  | -  | -  | -  | -  | 16 | 17 | -  | -  | -  | - | -      |          |   |   |   |   |
|  |                      |   |               |     |       |                 |          |           | 20   | -  | -  | -  | -  | -  | 26 | 27 | -  | 29 | 30 | -  | -  | -  | -  | 35 | 36 | -  | 38 | -  | - | -      | -        | - | - | - |   |
|  |                      |   |               |     |       |                 |          |           | -  | 40 | -  | -  | -  | -  | -  | -  | 47 | -  | -  | -  | -  | -  | -  | 53 | -  | 55 | 56 | 57 | - | -      | -        | - | - | - | - |
|  |                      |   |               |     |       |                 |          |           | -  | -  | 60 | -  | -  | -  | -  | -  | -  | -  | -  | -  | -  | -  | -  | -  | 73 | 74 | 75 | -  | - | -      | -        | - | - | - | - |
| GPEC RCPT CONN 103 CKT END LVR KEY 5/66  | 349938027            | 5-BLACK   | IH            | PLR | LE    | LA              | M        | R         | 1  | 2  | 3  | -  | -  | -  | -  | -  | -  | -  | -  | -  | -  | -  | -  | 16 | 17 | -  | -  | -  | - | -      |          |   |   |   |   |
|  |                      |   |               |     |       |                 |          |           | 20   | 21 | -  | -  | -  | -  | 26 | 27 | -  | -  | -  | -  | -  | -  | 34 | 35 | 36 | -  | 38 | -  | - | -      | -        | - | - | - |   |
|  |                      |   |               |     |       |                 |          |           | -  | -  | -  | -  | -  | -  | -  | -  | 47 | -  | -  | -  | -  | -  | 52 | 53 | 54 | -  | -  | 57 | - | -      | -        | - | - | - | - |
|  |                      |   |               |     |       |                 |          |           | -  | -  | -  | -  | -  | -  | -  | -  | -  | -  | -  | -  | -  | -  | -  | -  | -  | 74 | 75 | -  | - | -      | -        | - | - | - | - |
| GPEC RCPT CONN 103 CKT END LVR KEY 5/66  | 349938027            | 5-BLACK   | IH            | PLR | LE    | LA              | M        | R         | 77   | 78 | 79 | 80 | 81 | 82 | 83 | 84 | 85 | 86 | 87 | 88 | 89 | -  | 92 | 93 | 94 | 95 | -  | -  | - | -      | -        |   |   |   |   |
|  |                      |   |               |     |       |                 |          |           | 77   | 78 | 79 | 80 | 81 | 82 | 83 | 84 | 85 | 86 | 87 | 88 | 89 | -  | 92 | 93 | 94 | 95 | -  | -  | - | -      | -        | - | - | - | - |



**BOM AND PIN OUT SHEET**

| ASSEMBLY DESCRIPTION                    | ASSEMBLY PART NUMBER | COMPONENT   |               |     |       |                 |          |           | BLOCKED TERMINALS  |    |    |    |    |    |    |    |    |    |    |    |    |    |    |    |    |    |    |    | STATUS | COMMENTS |   |    |     |     |   |
|---|----------------------|---|---------------|-----|-------|-----------------|----------|-----------|--|----|----|----|----|----|----|----|----|----|----|----|----|----|----|----|----|----|----|----|--------|----------|---|----|-----|-----|---|
|   |                      | THE PRESENCE OF AN ABBREVIATION INDICATES THE PRESENCE OF THAT COMPONENT. |               |     |       |                 |          |           | CAVITY WITH A NUMBER INDICATES BLOCKED TERMINAL POSITION<br>CAVITY WITHOUT A NUMBER INDICATES OPEN TERMINAL POSITION |    |    |    |    |    |    |    |    |    |    |    |    |    |    |    |    |    |    |    |        |          |   |    |     |     |   |
|   |                      | OUTER HOUSING KEY/COLOR   | INNER HOUSING | PLR | LEVER | LEVER ARM (x/2) | MAT SEAL | RING SEAL |  |    |    |    |    |    |    |    |    |    |    |    |    |    |    |    |    |    |    |    |        |          |   |    |     |     |   |
| GPEC RCPT CONN 103 CKT TOP LVR KEY 5/49 | 349939011            | 5-BLACK   | IH            | PLR | LT    | LA              | M        | R         | -  | -  | -  | 4  | 5  | 6  | 7  | 8  | 9  | 10 | 11 | 12 | 13 | -  | -  | -  | -  | -  | -  | 96 | -      |          |   |    |     |     |   |
|   |                      |   |               |     |       |                 |          |           | -  | 21 | -  | 23 | -  | -  | 26 | -  | 28 | -  | -  | 31 | -  | -  | -  | 35 | -  | -  | -  | -  | -      | -        | - | 98 | -   |     |   |
|   |                      |   |               |     |       |                 |          |           | 39   | 40 | -  | -  | 43 | 44 | 45 | 46 | 47 | 48 | -  | -  | -  | -  | -  | -  | -  | -  | -  | 57 | -      | -        | - | -  | -   | -   |   |
|   |                      |   |               |     |       |                 |          |           | 58   | 59 | 60 | 61 | 62 | 63 | 64 | 65 | -  | -  | 68 | 69 | -  | 71 | -  | 73 | 74 | -  | -  | -  | -      | -        | - | -  | 100 | -   |   |
|   |                      |   |               |     |       |                 |          |           | 77   | 78 | -  | 80 | 81 | 82 | 83 | 84 | 85 | -  | 87 | 88 | -  | 90 | 91 | -  | -  | -  | -  | -  | -      | -        | - | -  | -   | 102 | - |
| GPEC RCPT CONN 103 CKT TOP LVR KEY 5/40 | 349939012            | 5-BLACK   | IH            | PLR | LT    | LA              | M        | R         | 1  | 2  | 3  | 4  | 5  | 6  | -  | -  | 9  | -  | 11 | 12 | -  | -  | 15 | 16 | -  | -  | 19 | 96 | -      |          |   |    |     |     |   |
|   |                      |   |               |     |       |                 |          |           | 20   | 21 | -  | -  | -  | 25 | 26 | 27 | -  | -  | 30 | 31 | 32 | 33 | 34 | -  | -  | 37 | -  | -  | -      | -        | - | -  | 98  | -   |   |
|   |                      |   |               |     |       |                 |          |           | 39   | -  | -  | 42 | 43 | 44 | 45 | -  | -  | 48 | 49 | -  | -  | -  | -  | 54 | 55 | -  | 57 | -  | -      | -        | - | -  | -   | -   |   |
|   |                      |   |               |     |       |                 |          |           | 58   | -  | 60 | 61 | 62 | 63 | 64 | -  | -  | 67 | 68 | 69 | -  | 71 | 72 | -  | 74 | 75 | 76 | -  | -      | -        | - | -  | -   | -   | - |
|   |                      |   |               |     |       |                 |          |           | 77   | -  | -  | 80 | 81 | 82 | 83 | 84 | 85 | 86 | -  | 88 | 89 | -  | -  | 92 | 93 | 94 | 95 | -  | -      | -        | - | -  | -   | -   | - |